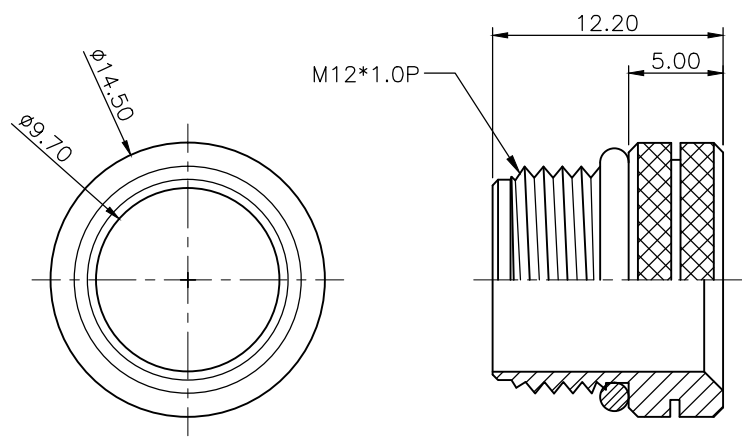
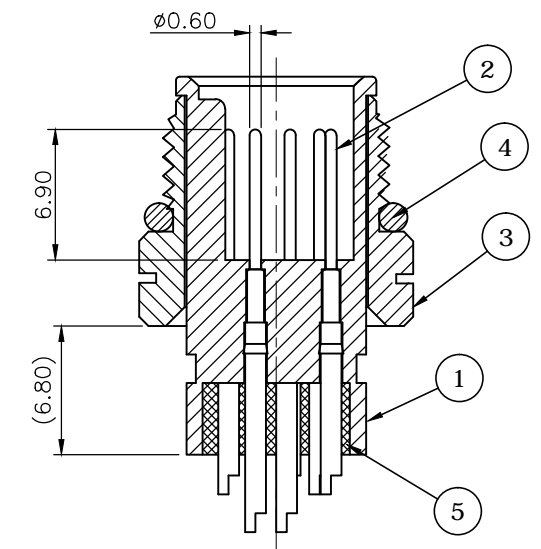
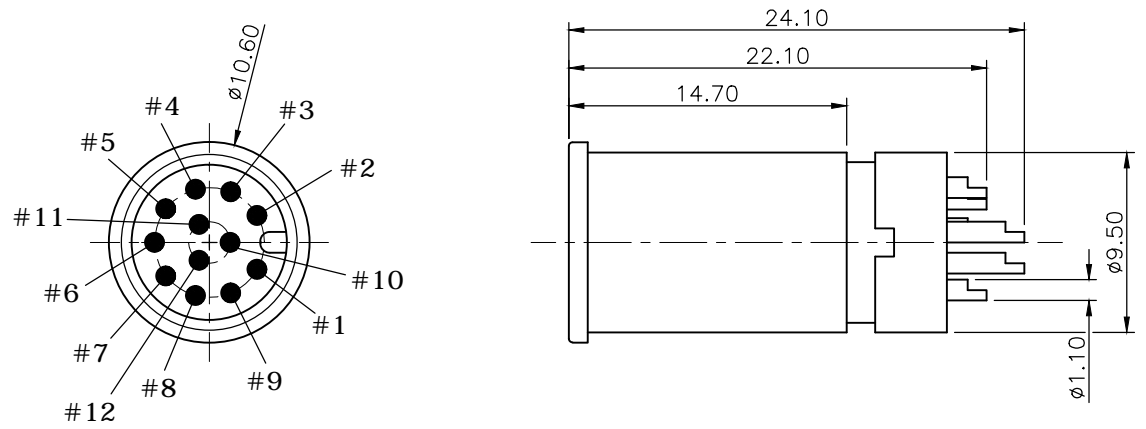


REV.	DESCRIPTION	DRAWN	DATE
1	INITIAL RELEASE	TIM	2018/04/13
2	ECR220421001	TIM	2022/04/21

SPECIFICATION:

1. CURRENT RATING: 1.5A
2. VOLTAGE: 30V
3. WATER PROOF: IPX7
4. OPERATION TEMPERATURE: -40°C TO +85°C



NUT

5	EPOXY	BLACK
4	O-RING	EPDM
3	NUT	BRASS, NICKEL PLATED
2	CONTACT	BRASS, 10u" GOLD PLATED UNDER NICKEL
1	HOUSING	PBT, UL94V-0, BLACK
NO	PART NAME	DESCRIPTION

UNLESS OTHERWISE SPECIFIED TOLERANCE

UNIT:	DECIMAL	LINEAR	ANGLES
mm	X.	±0.50	±5°
	X.X	±0.25	±3°
	X.XX	±0.12	±1°



WWW.ATTEND.COM.TW

DRAWN	Tim	2018/04/16	DRAWN NAME:	M12 A-Code Plug for Cable			
CHECKED	Fros	2018/04/16		12Pin Male For Overmold, 10u"			
APPROVED	Ken	2018/04/16	PRODUCT NO.	216A-12MOO			
SCALE	2.5/1	SHEET	1/1	SIZE	A4	FILE NAME	216A-12MOO_B_2