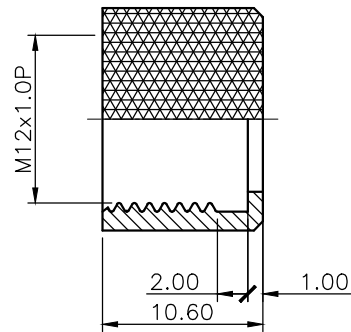
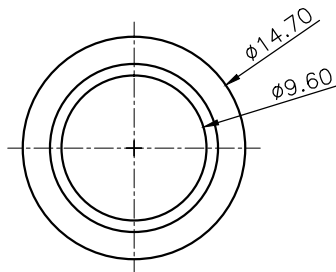
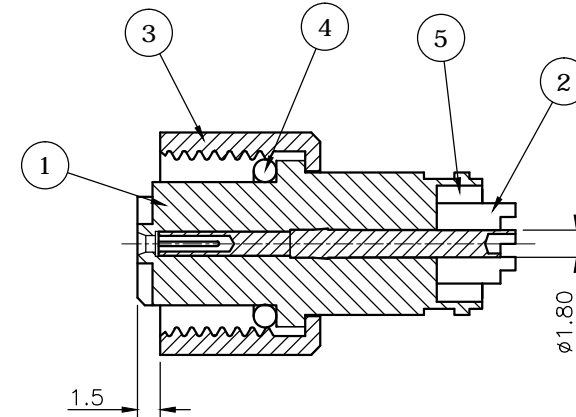
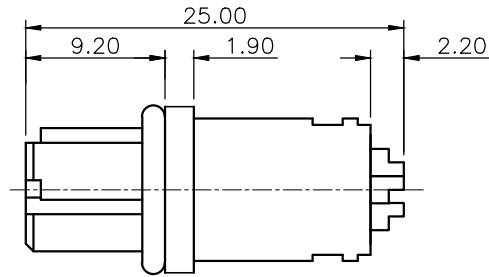
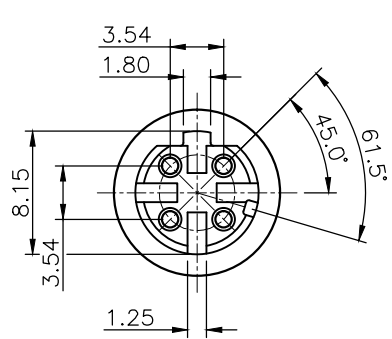


REV.	DESCRIPTION	DRAWN	DATE
1	INITIAL RELEASE	FROS	2016/10/17
2	ECR220421001	TIM	2022/04/21

SPECIFICATION:

1. Current Rating: 4A
2. Voltage Rating: 250V
3. Water Proof: IPX7
4. Operating temperature range: -40°C~+85°C



5	EPOXY BASE	EF400A&EF400B, Black			
4	O-RING	EPDM			
3	NUT	Brass, Nickel plating			
2	CONTACT	BRASS, 10u" Gold plating over Nickel			
1	HOUSING	TPU, Black			
NO.	PART NAME	DESCRIPTION			
UNLESS OTHERWISE SPECIFIED TOLERANCE					
UNIT:	DECIMAL	LINEAR	ANGLES		
	mm	X. ±0.50	X.X ±5°		
		X.X ±0.25	X.XX ±3°		
		X.XX ±0.12	X.XX ±1°		
DRAWN	Fros	2016/10/17	DRAWN NAME: M12 D Code Plug for Cable 4Pin Female For Overmold with Cable		
CHECKED	Tim	2016/10/17			
APPROVED	Ken	2016/10/17			
SCALE	2/1	SHEET		1/1	SIZE
FILE NAME		216D-04FO0_B_2			



WWW.ATTEND.COM.TW