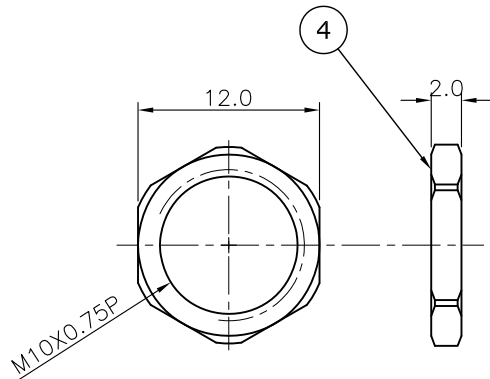
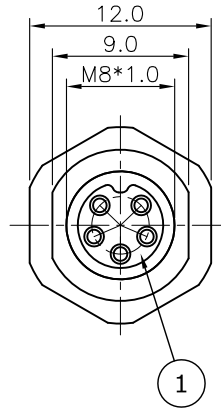
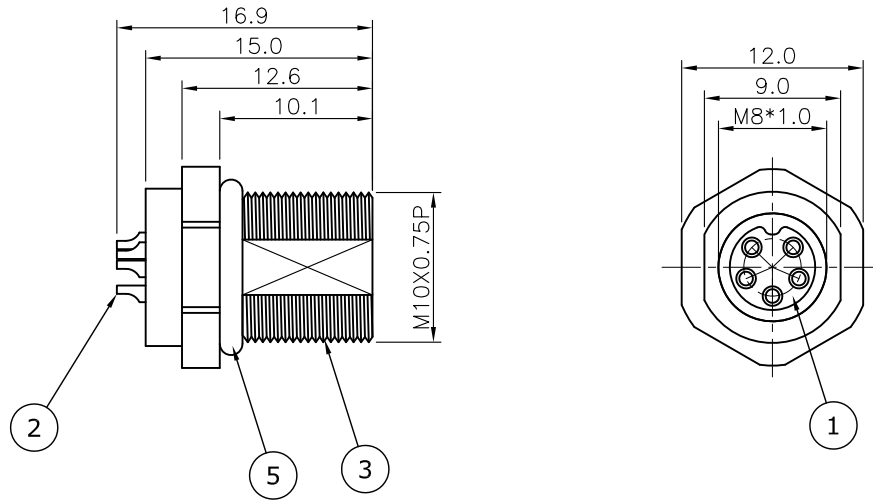


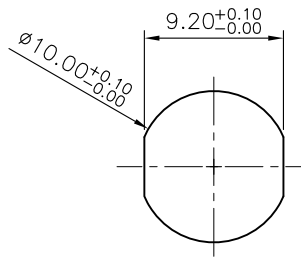
REV.	DESCRIPTION	DRAWN	DATE
1	INITIAL RELEASE	Fros	2018/10/29

SPECIFICATION:

1. ELECTRICAL
 - 1.1 Current Rating: 1.5A
 - 1.2 Voltage Rating: 30V
 - 1.3 Water Proof: IP67
 - 1.4 Operating Temperature: -40°C~+105°C



NUT



RECOMMEND PANEL CUT OUT

6	EPOXY BASE	
5	O-RING	EPDM, black
4	NUT	Brass, nickel plating
3	SHELL	Brass, nickel plating
2	CONTACT	Brass, gold flash plating under nickel
1	HOUSING	PA66, black

NO.	PART NAME	DESCRIPTION		
UNLESS OTHERWISE SPECIFIED TOLERANCE				
UNIT:	DECIMAL	LINEAR	ANGLES	
mm	X.	±0.50	±5°	
	X.X	±0.25	±3°	
	X.XX	±0.12	±1°	
DRAWN		Fros	2018/10/29	DRAWN NAME:
CHECKED		Tim	2018/10/29	M8 A- Code Receptacle, 5Pin
APPROVED		Ken	2018/10/29	Female Solder Type, Front Fastened
SCALE		SHEET	SIZE	FILE NAME
2/1		1/1	A4	219A-05FAF_B_1



WWW.ATTEND.COM.TW