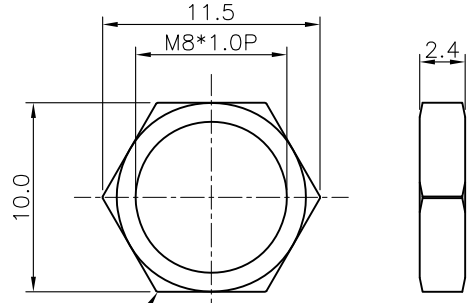
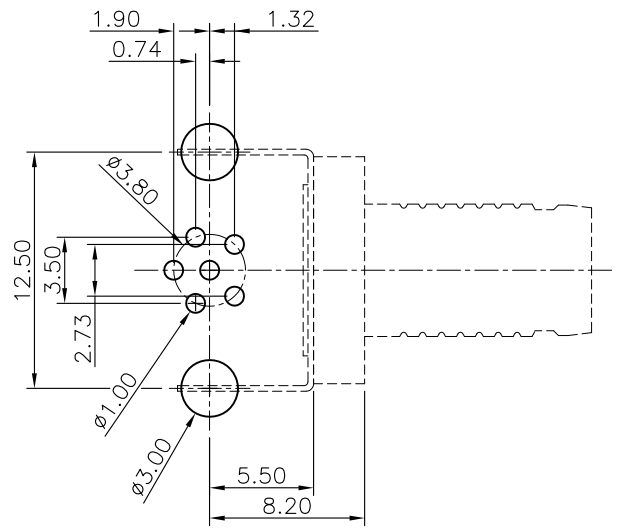
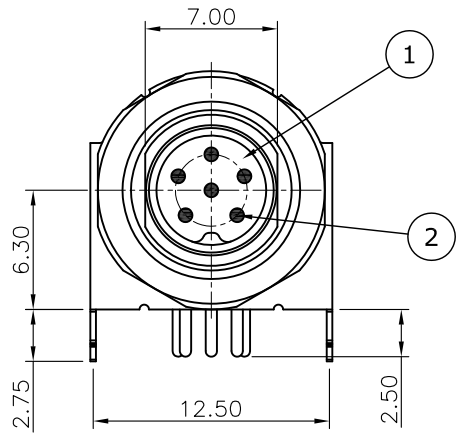
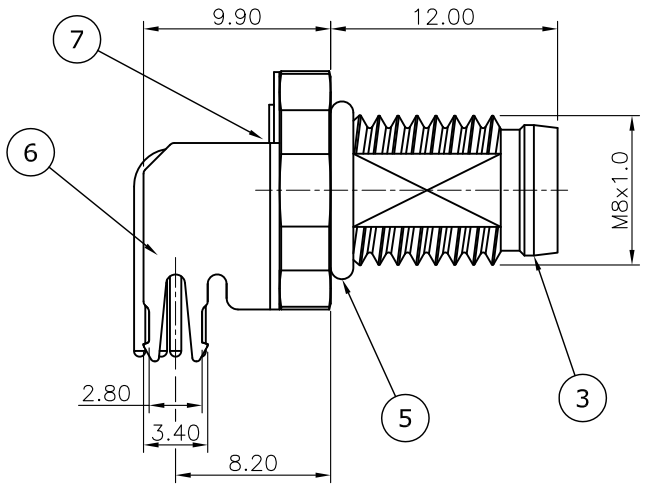


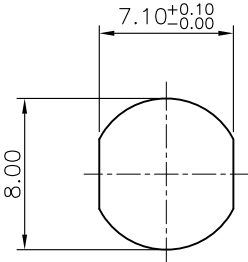
REV.	DESCRIPTION	DRAWN	DATE
1	INITIAL RELEASE	FROS	2018/05/15
2	ECR220421002	Fros	2022/04/21

**SPECIFICATION:**

1. CURRENT RATING: 1.5A
2. VOLTAGE: 30VAC/DC
3. WATER PROOF: IPX7
4. OPERATION TEMPERATURE: -40°C TO +85°C



**4** HEX-NUT



PANEL CUT-OUT

RECOMMENDED LAYOUT (TOP VIEW)  
GENERAL TOLERANCE: ±0.1mm

7	EPOXY BASE	
6	GROUND	PHOSPHOR BRONZE, TIN PLATED
5	O-RING	NBR ,BLACK
4	NUT	BRASS, NICKEL PLATED
3	SHELL	BRASS, NICKEL PLATED
2	CONTACT	BRASS, GOLD PLATED UNDER NICKEL
1	HOUSING	PA, UL94V-0, BLACK

NO.		PART NAME	DESCRIPTION
UNLESS OTHERWISE SPECIFIED TOLERANCE			
UNIT:	DECIMAL	LINEAR	ANGLES
	mm	X, X	±0.50 ±3°
		X, XX	±0.25 ±1°
DRAWN		Fros	2018/05/15
CHECKED		Tim	2018/05/15
APPROVED		Ken	2018/05/15
SCALE		2.5	
SHEET		1/1	
SIZE		A4	
DRAWN NAME:		M8 A-Code Receptacle, 6Pin Male DIP R/A Front Fastened	
PRODUCT NO.		219A-06MRF	
FILE NAME		219A-06MRF_B_2	



www.attend.com.tw