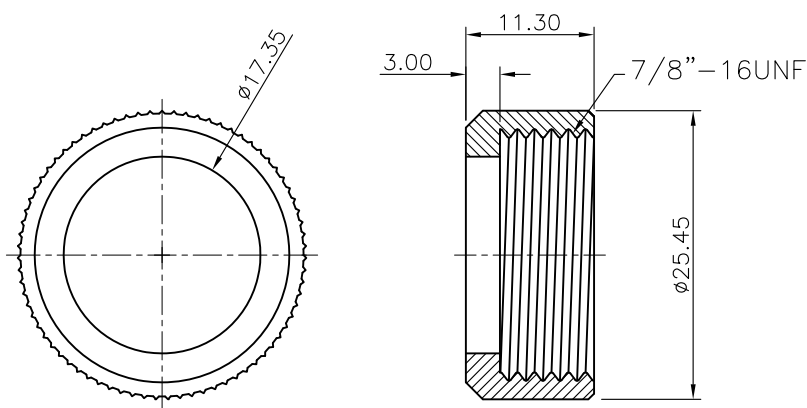
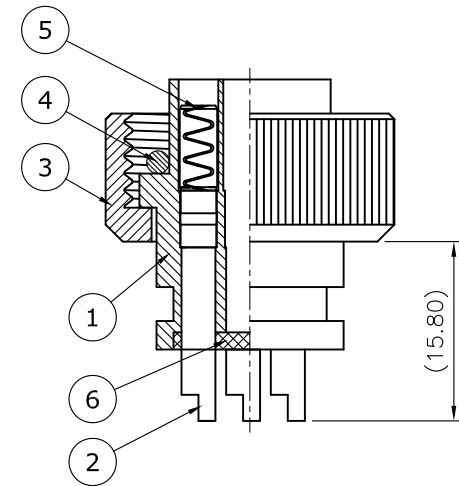
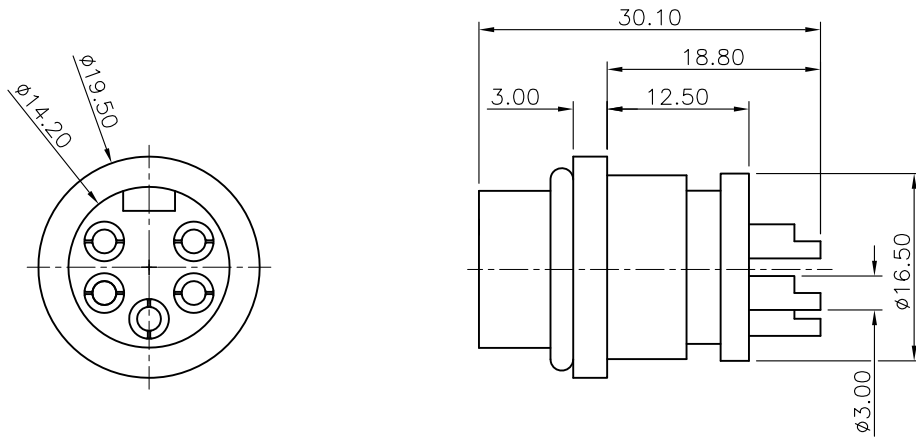


REV.	DESCRIPTION	DRAWN	DATE
1	INITIAL RELEASE	TIM	2016/09/02

SPECIFICATION:

1. CURRENT RATING: 20A
2. VOLTAGE: 125V
3. WATER PROOF: IPX8
4. OPERATION TEMPERATURE: -40°C TO +85°C



NUT

6	EPOXY BASE	EF400A&EF400B,Black
5	SLEEVE	BRASS
4	O-RING	NBR, Black
3	NUT	BRASS, NICKEL PLATED
2	CONTACT	BRASS, 30u" GOLD PLATED UNDER NICKEL
1	HOUSING	PBT,UL94V-0,Black
NO	PART NAME	DESCRIPTION

UNLESS OTHERWISE SPECIFIED TOLERANCE

UNIT:	DECIMAL	LINEAR	ANGLES
mm	X.	±0.50	±5°
	X.X	±0.25	±3°
	X.XX	±0.12	±1°



WWW.ATTEND.COM.TW

DRAWN	Tim	2016/09/02	DRAWN NAME:	
CHECKED	Fros	2016/09/02	M23 A- Code Plug for Cable , 5Pin Female For Overmold with Cable	
APPROVED	Ken	2016/09/02	PRODUCT NO.	221A-05FO0
SCALE	1.5/1	SHEET	1/1	SIZE
			FILE NAME	221A-05FO0_B_1