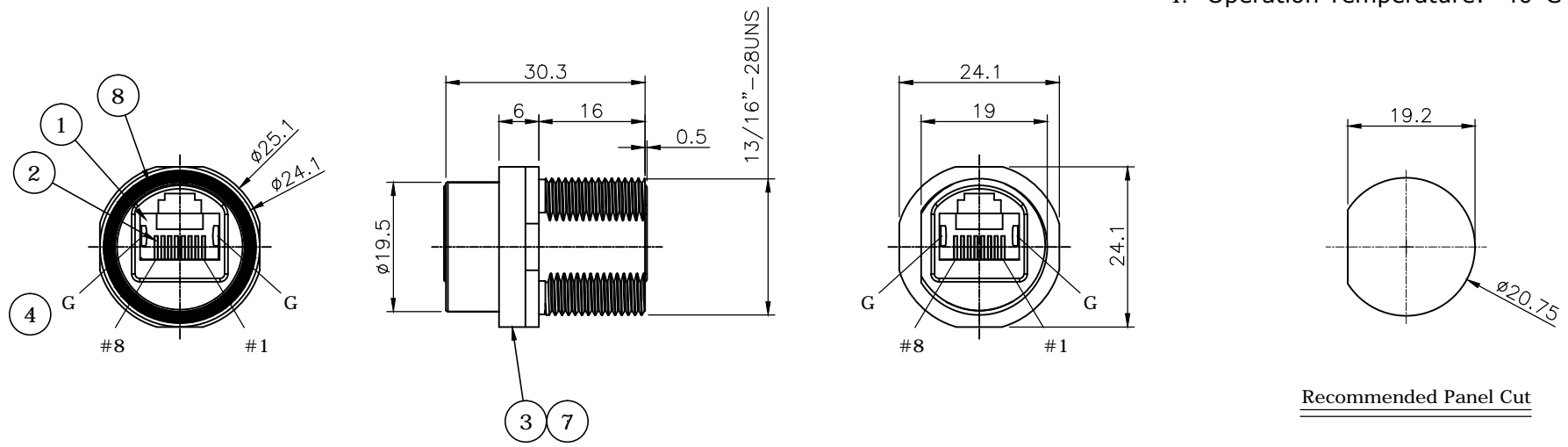


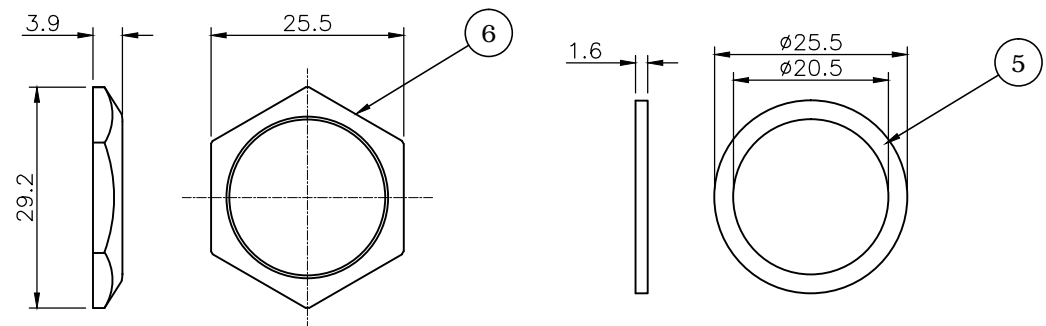
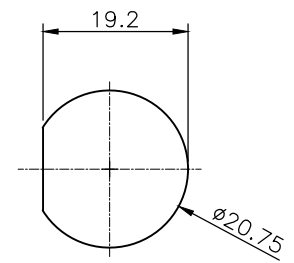
REV.	DESCRIPTION	DRAWN	DATE
1	INITIAL RELEASE	FROS	2020/10/05

Notes:

1. Water proof IP67
2. Current Rating: 1.5A
3. Voltage Rating: 125V AC
4. Operation Temperature: -40°C to +85°C



Recommended Panel Cut



8	Epoxy	
7	PCB	FR4
6	NUT	Brass, nickel plating
5	ORING	Silicon, gray black
4	GROUND	Stainless steel, nickel plating
3	SHELL	Zinc alloy, nickel plating
2	CONTACT	Phosphor Bronze, gold flash over nickel plating
1	HOUSING	PBT, UL94V-0, Black

NO.	PART NAME	DESCRIPTION					
UNLESS OTHERWISE SPECIFIED TOLERANCE							
UNIT:	DECIMAL	LINEAR	ANGLES				
mm	X.	±0.50	±5°				
	X.X	±0.25	±3°				
	X.XX	±0.12	±1°				
DRAWN	Fros	2020/10/05	DRAWN NAME:				
CHECKED	Tim	2020/10/05	RJ45 Jack to Jack Waterproof Adaptor, Screw Type, Panel Fixed, Zinc Alloy L=30mm				
APPROVED	Ken	2020/10/05	PRODUCT NO. 222A-03005				
SCALE	1/1	SHEET	1/1	SIZE	A4	FILE NAME	222A-03005_B_1



www.attend.com.tw