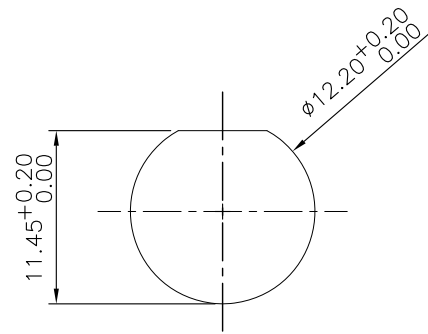
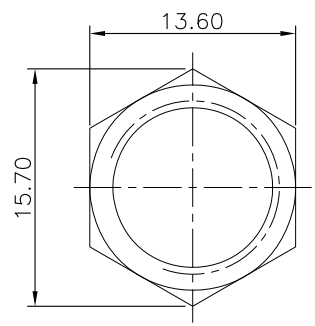


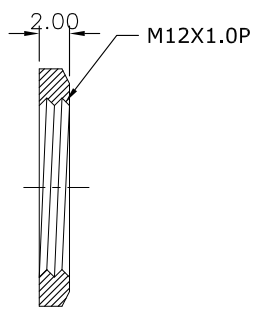
REV.	DESCRIPTION	DRAWN	DATE
1	INITIAL RELEASE	TIM	2016/09/05



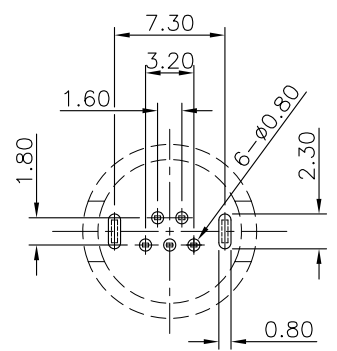
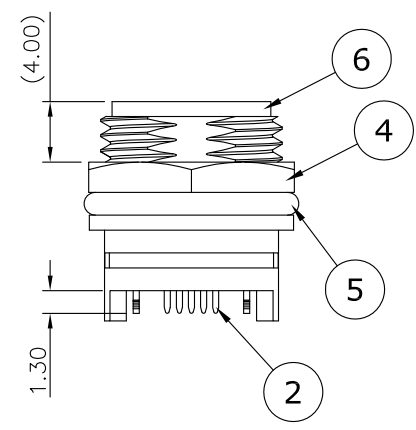
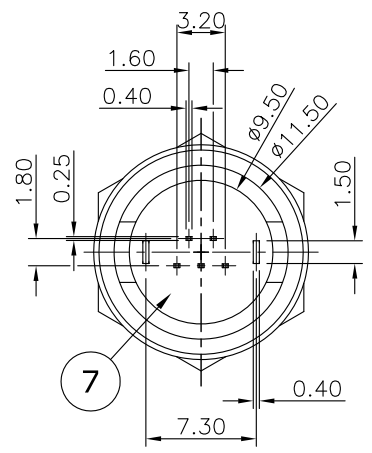
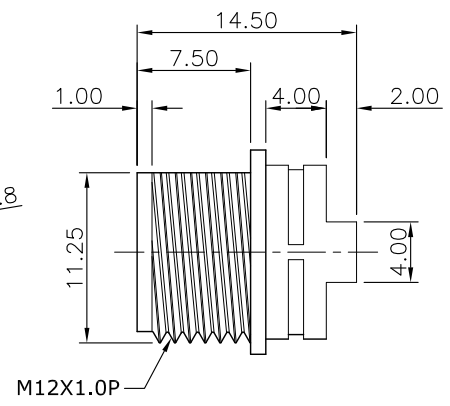
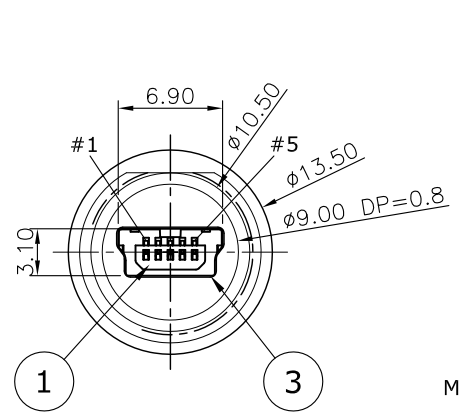
RECOMMENDED PANEL CUT OUT



NUT




- SPECIFICATION:**
- CURRENT RATING: 1A
 - VOLTAGE: 30V
 - WATER PROOF: IP67



RECOMMENDED LAYOUT (TOP VIEW)
GENERAL TOLERANCE: ±0.10mm

NO	PART NAME	DESCRIPTION
7	EPOXY BASE	
6	BODY	PBT, UL94V-0,Black
5	O-RING	EPDM,Black
4	NUT	PBT, UL94V-0,Black
3	SHELL	Brass, Nickel plating
2	CONTACT	Phosphor Bronze, Gold plating on contact area, Tin plating on solder tail, under plated Nickel
1	HOUSING	LCP, UL94V-0,Black

UNLESS OTHERWISE SPECIFIED TOLERANCE					
UNIT:	DECIMAL	LINEAR	ANGLES		
mm	X.	±0.50	±5°	WWW.ATTEND.COM.TW	
	X.X	±0.25	±3°		
	X.XX	±0.12	±1°		
DRAWN	Tim	2016/09/05	DRAWN NAME: MINI USB Type Waterproof Socket		
CHECKED	Fros	2016/09/05			
APPROVED	Ken	2016/09/05	PRODUCT NO.	222A-04001	
SCALE	1/1	SHEET	1/1	SIZE	A4
			FILE NAME	222A-04001_B_1	