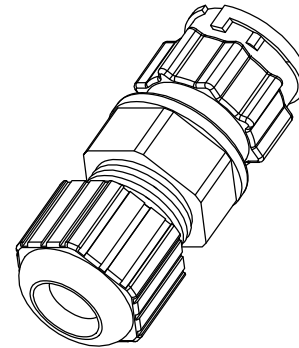
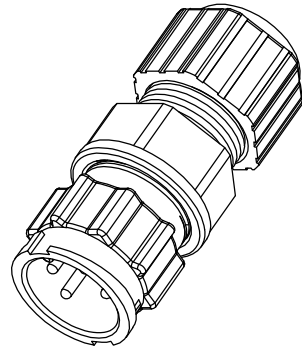
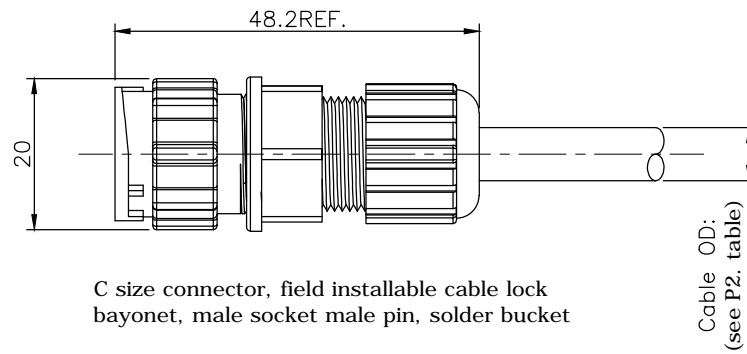
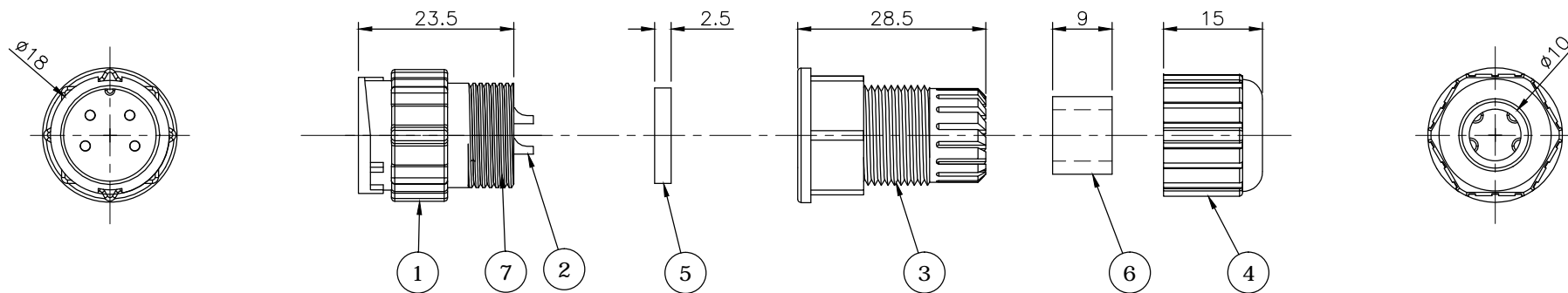


REV.	DESCRIPTION	DRAWN	DATE
1	INITIAL RELEASE	TIM	2020/06/10



### SPECIFICATION:

1. Current Rating: 10A /20A per pin (see P2. table)
2. Contact Resistance: 10mΩ
3. Insulation Resistance: 100MΩ
4. Dielectric Withstanding Voltage: 500VAC
5. Durability: 1000 Cycle
6. Operating temperature range: -40°C~+85°C
7. Storage temperature range: -40°C~+85°C
8. Waterproof: IP67



C size connector, field installable cable lock bayonet, male socket male pin, solder bucket

7	GLUE	EPOXY
6	CABLE SEAL	Silicone, Gray
5	GASKET	Silicone, Gray
4	SEALING NUT	PA66, Black
3	CLAMP RING	PA66, UL94V-0, Black
2	CONTACT	Brass, 1u' Min. Gold Plating over Nickel
1	HOUSING	PA66, UL94V-0, Black

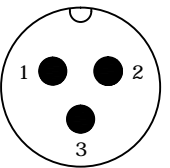
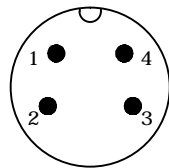
NO.	PART NAME	DESCRIPTION						
UNLESS OTHERWISE SPECIFIED TOLERANCE								
UNIT:	DECIMAL	LINEAR	ANGLES					
mm	X.	±0.50	±5°					
	X.X	±0.25	±3°					
	X.XX	±0.12	±1°					
DRAWN	Tim	2020/06/10	DRAWN NAME: C Size Connector, Field Installable Lock Bayonet, M Skt M Solder Pin					
CHECKED	Fros	2020/06/10						
APPROVED	Ken	2020/06/10						
PRODUCT NO.	see page 2 table							
SCALE		1/1	SHEET	1/3	SIZE	A4	FILE NAME	227C-AMMO_B_1

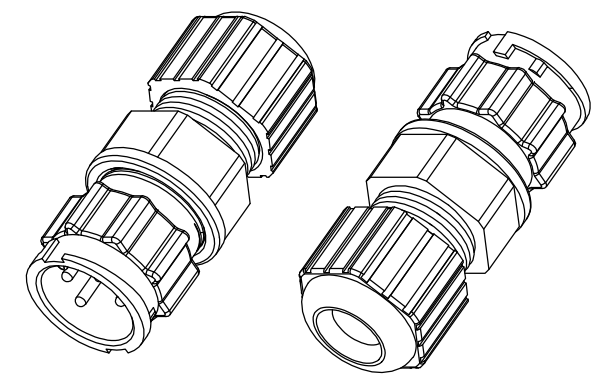


www.attend.com.tw


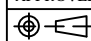
REV.	DESCRIPTION	DRAWN	DATE
	SEE SHEET ONE		

TABLE: Pin Count/ Pin Assignment/ Current Rating/ Part Number

Part Number	227C-03M02	227C-04M02
Pin Assignment		
Pin Count	3Pin	4Pin
Current Rating	20A	10A
Cable OD	ø8.6mm~ø9.6mm	ø6.5mm~ø7.6mm

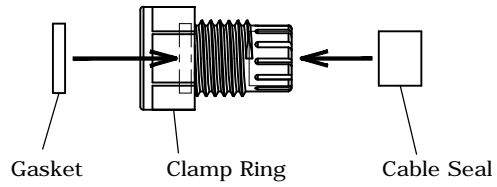


Drawing Number: 227C-AMM0  
 Description: C size connector, field installable cable lock bayonet, male socket male pin, solder bucket

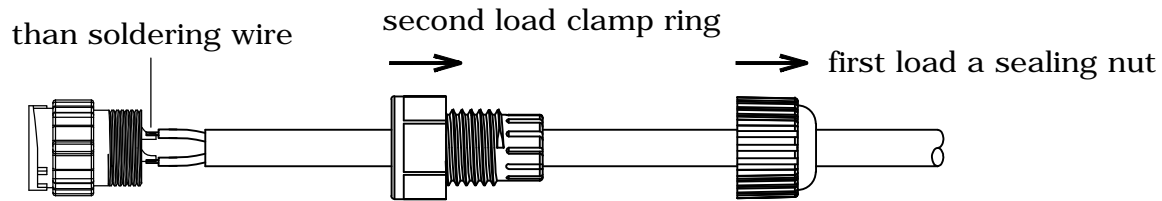
UNLESS OTHERWISE SPECIFIED TOLERANCE				 www.attend.com.tw
UNIT:	DECIMAL	LINEAR	ANGLES	
mm	X.	±0.50	±5°	
	X.X	±0.25	±3°	
	X.XX	±0.12	±1°	
DRAWN	Tim	2020/06/10	DRAWN NAME:	
CHECKED	Fros	2020/06/10	C Size Connector, Field Installable Lock Bayonet, M Skt M Solder Pin	
APPROVED	Ken	2020/06/10	PRODUCT NO. see table	
	SCALE 1/1	SHEET 2/3	SIZE A4	FILE NAME 227C-AMMO_B_1

REV.	DESCRIPTION	DRAWN	DATE
	SEE SHEET ONE		

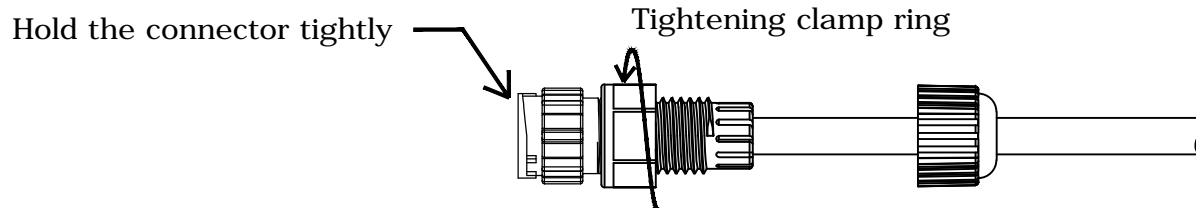
### 1. Pre-assembled cable clamp



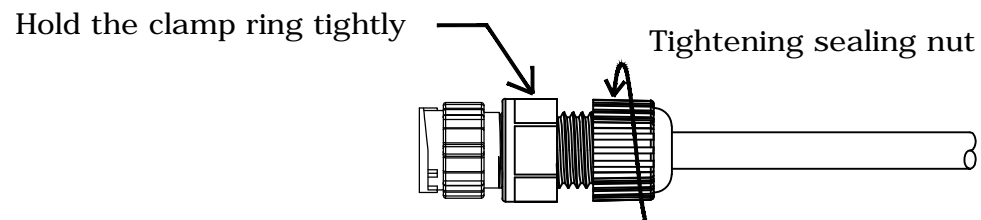
### 2. Wire processing



### 3. Assembly clamp ring



### 4. Assembly sealing nut



UNLESS OTHERWISE SPECIFIED TOLERANCE				
UNIT:	DECIMAL	LINEAR	ANGLES	
mm	X.	±0.50	±5°	
	X.X	±0.25	±3°	
	X.XX	±0.12	±1°	
DRAWN	Tim	2020/06/10	DRAWN NAME: C Size Connector, Field Installable Lock Bayonet, M Skt M Solder Pin	
CHECKED	Fros	2020/06/10		
APPROVED	Ken	2020/06/10		
⊕	SCALE	SHEET	SIZE	FILE NAME
	n/a	3/3	A4	

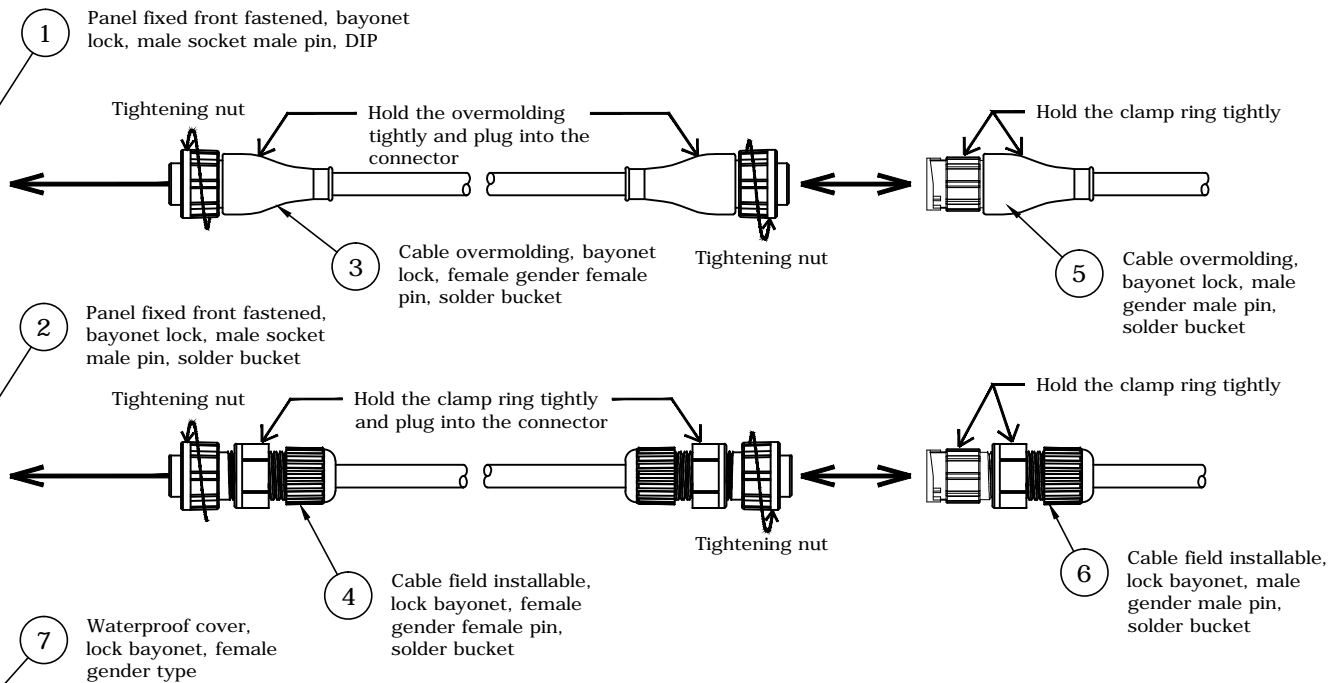
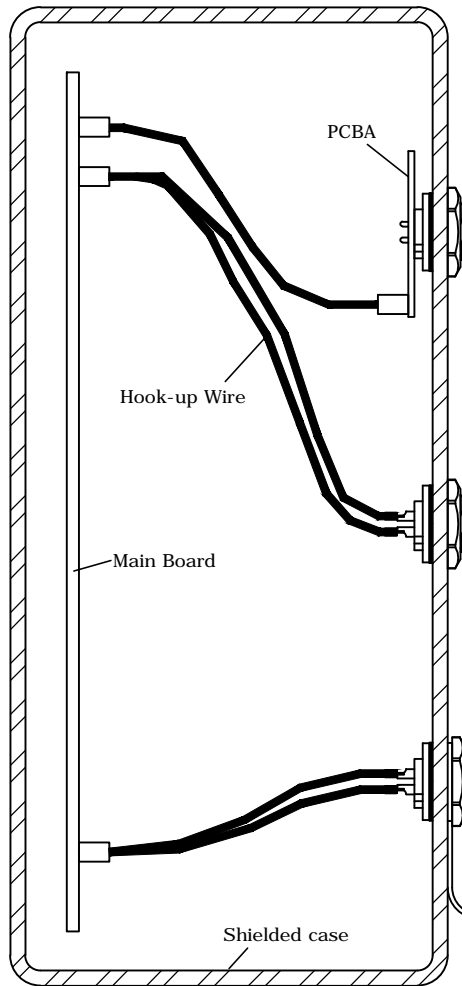


www.attend.com.tw

G  
F  
E  
D  
C  
B  
A

1    2    3    4    5    6    7    8    9    10

REV.	DESCRIPTION	DRAWN	DATE
1	INITIAL RELEASE	TIM	2020/06/10



Application	Ball no.	Drawing Number	Gender		Matchable drawing numbers			
			Conn. type	Pin type	1	2	3	4
Panel Fixed	①	227C-DMMO	Male	Male	227C-MFFO	227C-AFFO	227C-0001	
	②	227C-SMMO			③	④	⑦	
Cable	③	227C-MFFO	Female	Female	227C-DMMO	227C-SMMO	227C-MMMO	227C-AMMO
	④	227C-AFFO			①	②	⑤	⑥
	⑤	227C-MMMO	Male	Male	227C-MFFO	227C-AFFO	227C-0001	
⑥	227C-AMMO	③			④	⑦		
Accessories	⑦	227C-0001	Female		①	②	⑤	⑥

UNLESS OTHERWISE SPECIFIED TOLERANCE

UNIT:	DECIMAL	LINEAR	ANGLES
mm	X.	±0.50	±5°
	X.X	±0.25	±3°
	X.XX	±0.12	±1°

DRAWN	Tim	2020/06/10
CHECKED	Fros	2020/06/10
APPROVED	Ken	2020/06/10

SCALE 1/2 SHEET 1/1 SIZE A4

www.attend.com.tw

DRAWN NAME:  
C Size Water Proof Connector  
Application Drawing

PRODUCT NO.

FILE NAME 227C-Series\_B\_1