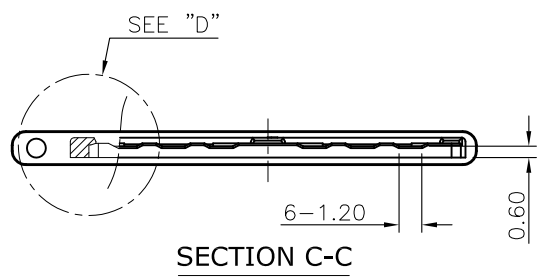
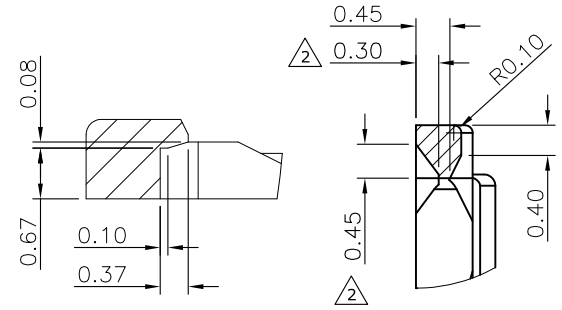


REV.	DESCRIPTION	DRAWN	DATE
3	ECR2400001	FROS	2024/02/29
4	ECR2400004	TIM	2024/09/03
5	ECR2400006	Fros	2024/11/28

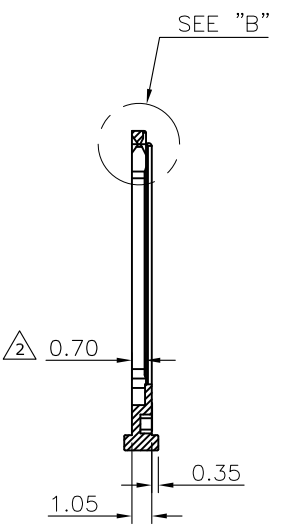
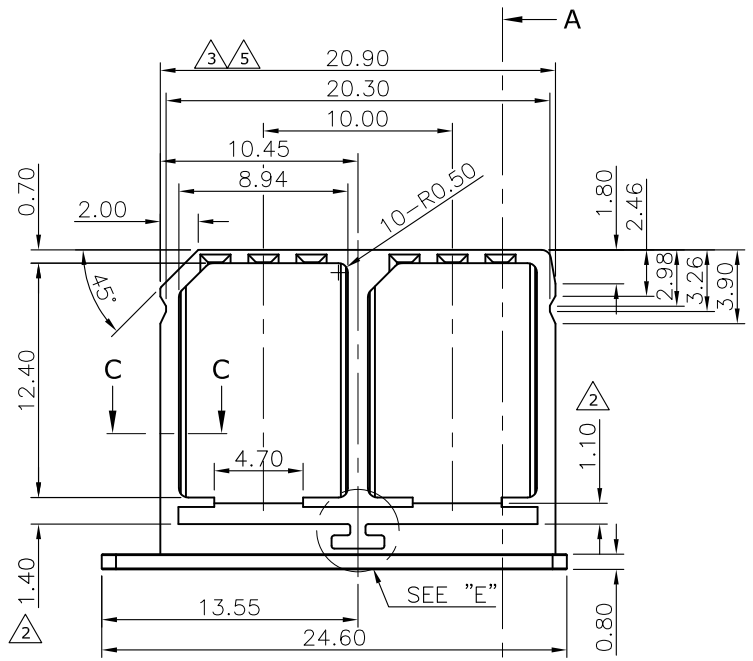
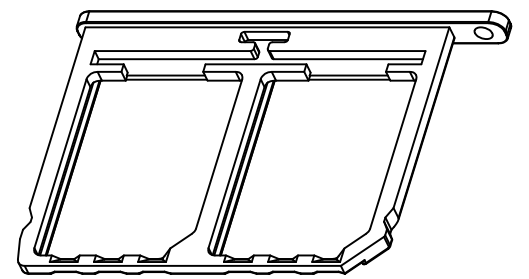


**SECTION C-C**

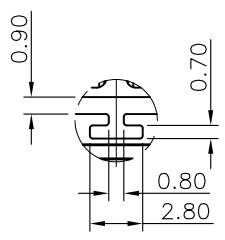
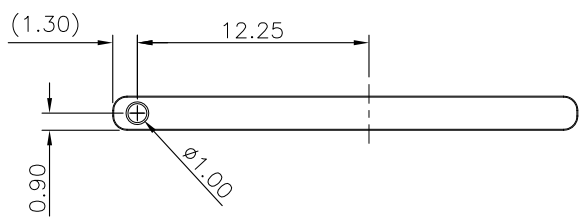
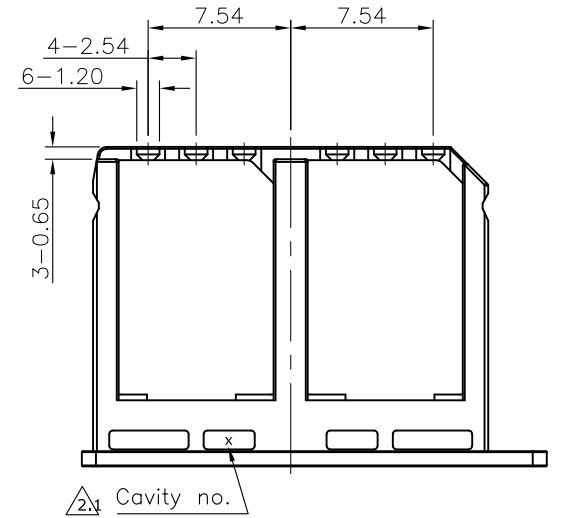


**DETAIL D  
Scale 10/1**

**DETAIL B  
Scale 10/1**



**SECTION A-A**



**DETAIL E**

1	Tray	Stainless steel	
NO. PART NAME		DESCRIPTION	
UNLESS OTHERWISE SPECIFIED TOLERANCE			
UNIT:	DECIMAL	LINEAR	ANGLES
mm	X.	±0.50	±5°
	X.X	±0.25	±3°
	X.XX	±0.12	±1°
DRAWN		Fros	2018/10/23
CHECKED		Tim	2018/10/23
APPROVED		Ken	2018/10/23
SCALE		SHEET	SIZE
2.5	1/1	A4	
DRAWN NAME:		www.attend.com.tw	
PRODUCT NO.		115S-BT00	
FILE NAME		115S-BT00_B_5	



**ATTEND**  
www.attend.com.tw  
DRAWN NAME:  
Nano SIM Tray, Dual Card, SUS316  
Natural color, 16.9mm, Tray