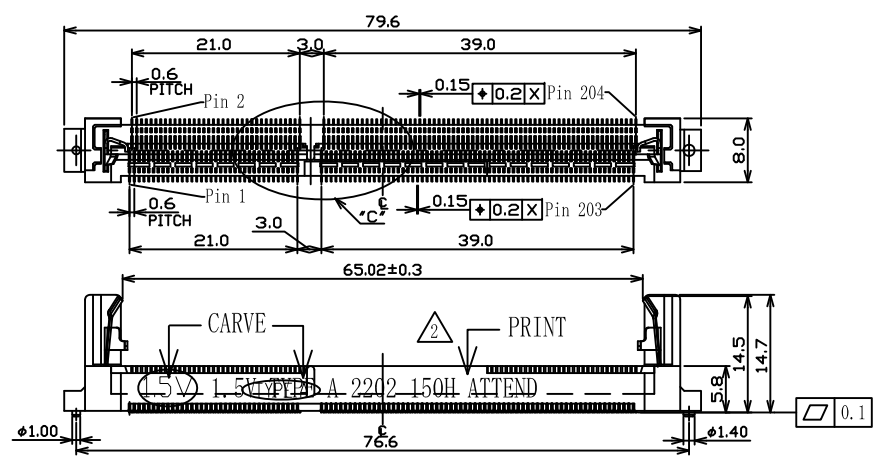
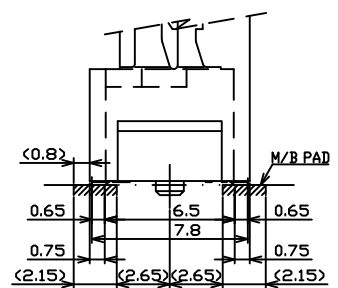
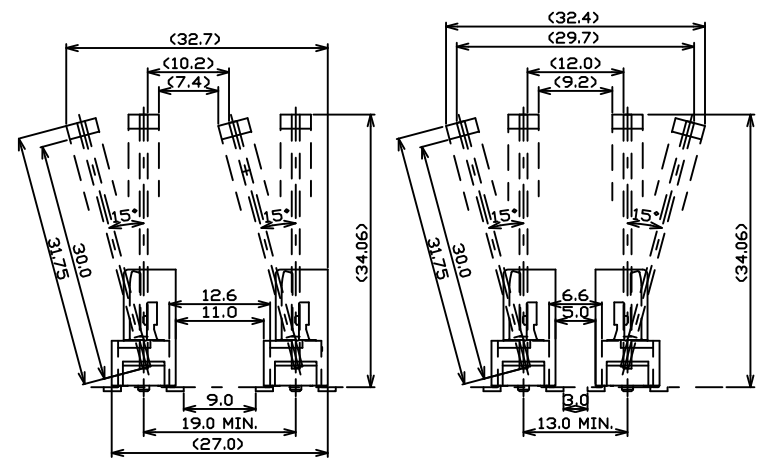
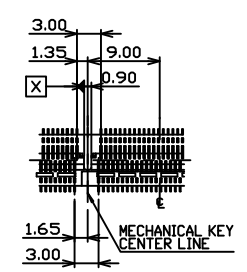


1	2	3	4	5	6	7	8	9	10
SWITCH CIRCUIT			MATERIAL AND FINISH AS BELOW						
WHEN CARD IS EJECTED		WHEN CARD IS INSERTED		A	Housing	LCP UL94V-0 Beige		E	
				B	Contact	Phosphor Bronze C5210, Contact Area: Gold Flash		F	
				C	Latch	Stainless Steel SUS301		G	
				D				H	



NOTES:  
DATE CODE 2202 (YWWDD)  
Y: 2 YEAR(2012)  
WW:20 WEEK(01~52)  
D: 2 DAY(01~07)



**SPECIFICATION:**

**1. ELECTRICAL**

- 1.1 Current Rating: 0.5A per pin
- 1.2 Voltage Rating: 25V AC/DC
- 1.3 Contact Resistance: 60mΩ
- 1.4 Insulation Resistance: 500MΩ
- 1.5 Dielectric Withstanding Voltage: 125VAC

**2. MECHANICAL**

- 2.1 Durability: 25 Cycle
- 2.2 Latch Retention Force: 8 N/Pos. Min

**3. ENVIRONMENTAL**

- 3.1 Operating temperature range: -40°C~+85°C
- 3.2 Storage temperature range: -40°C~+85°C

**4. SOLDER ABILITY**

- 4.1 Recommended IR Reflow Temperature: 255°C 10Sec

NOTE:  
HOUSING CARVE: 1.5V TYPE A  
PRINTING: 1.5V TYPE A YWWD 150H ATTEND

P1	P2	P3	P4	P5	P6	P7	P8	P9	P10	P11	P12
PIN ASSIGNMENT											
122B-150A00				SO DIMM DDR3 Socket 1.5V 204Pin 15.0H Vertical Type , Contact Area: Gold Flash							
PRODUCT NO.				DESCRIPTION							

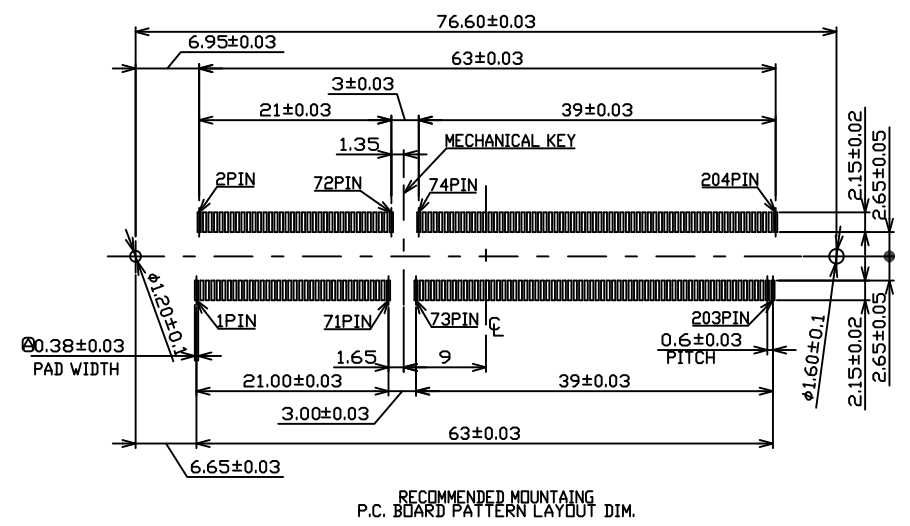
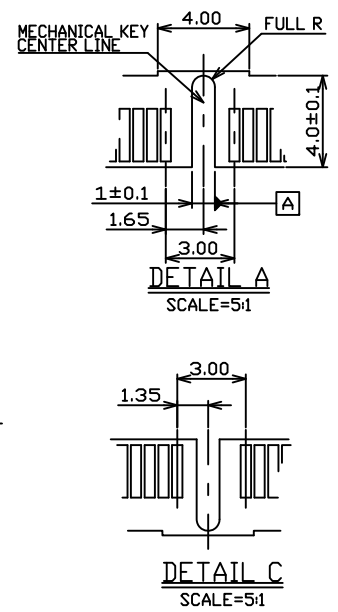
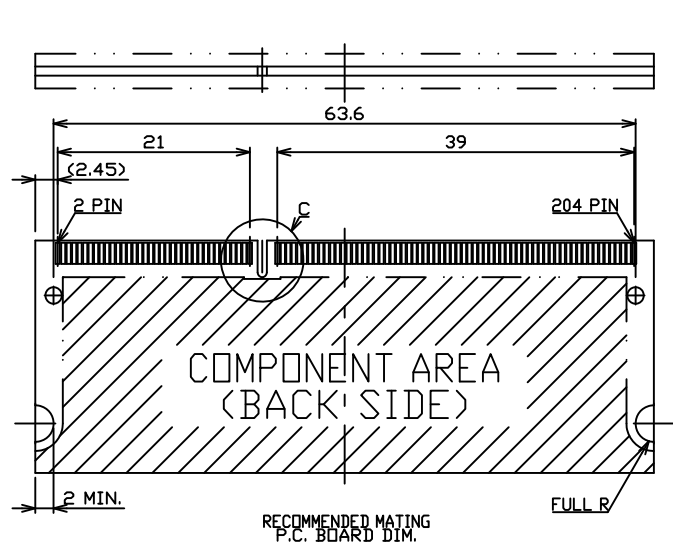
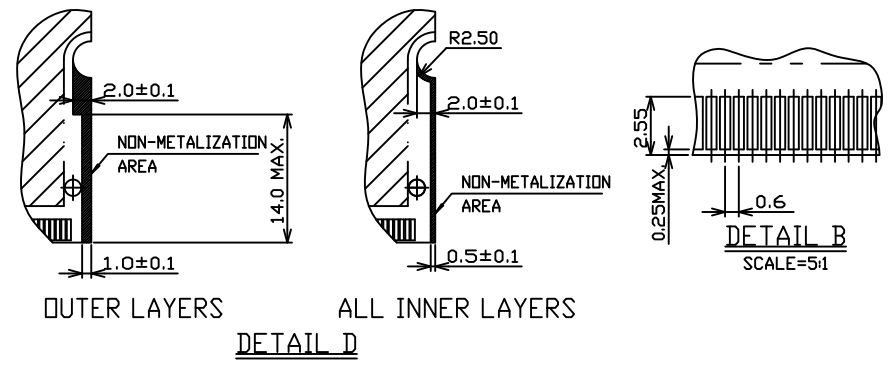
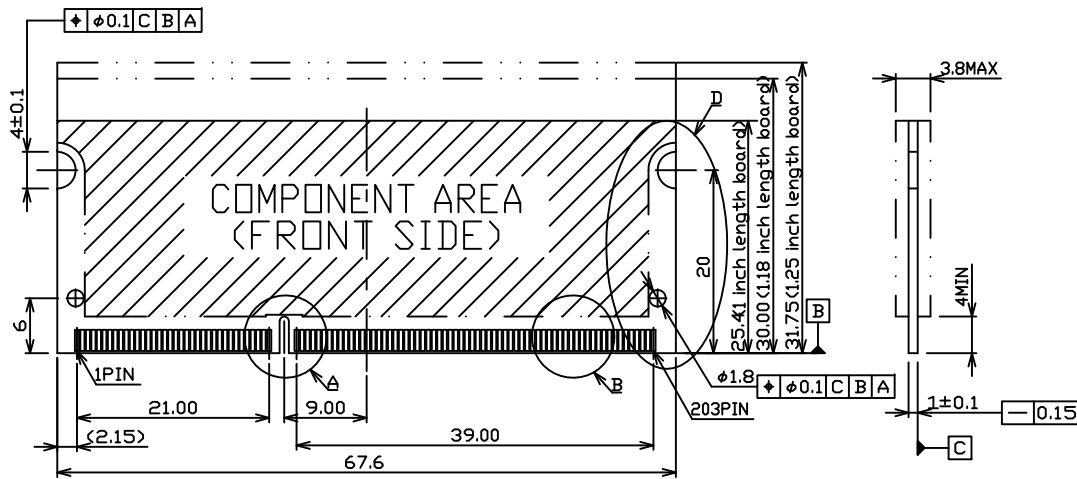
UNLESS OTHERWISE SPECIFIED TOLERANCE		
ANGLES	ANG.	±5°
LINEAR	0.	±0.3
	0.0	±0.25
	0.00	±0.20
SCALE	AS SHOWED	UNIT: mm
DRAWN	Willis	2012/12/05
CHECKED	Angel	2012/12/05
APPROVED	Ken	2012/12/05



www.attend.com.tw  
DRAWN NAME: SO DIMM DDR3 Socket 1.5V 204Pin 15.0H Vertical Type  
PRODUCT NO. 122B-150A00  
FILE NAME 122B-150A00\_B\_2

△	ECN E151224001	2016/01/29	△	INITIAL RELEASE	2012/12/05
REV.	DESCRIPTION	DATE	REV.	DESCRIPTION	DATE
1			4		

DATE SIZE A4 REV. 2.0



UNLESS OTHERWISE SPECIFIED TOLERANCE		
ANGLES	ANG.	±5°
	0.	±0.3
LINEAR	0.0	±0.25
	0.00	±0.20
SCALE	AS SHOWN	UNIT: mm
DRAWN	Willis	2012/12/05
CHECKED	Angel	2012/12/05
APPROVED	Ken	2012/12/05



www.attend.com.tw  
 DRAWN NAME: SO DIMM DDR Socket  
 1.5V 204Pin 15.0H Vertical Type  
 PRODUCT NO. 122B-150A00  
 FILE NAME 122B-150A00\_B\_2

REV.	DESCRIPTION	DATE	REV.	DESCRIPTION	DATE
1	SEE SHEET ONE				