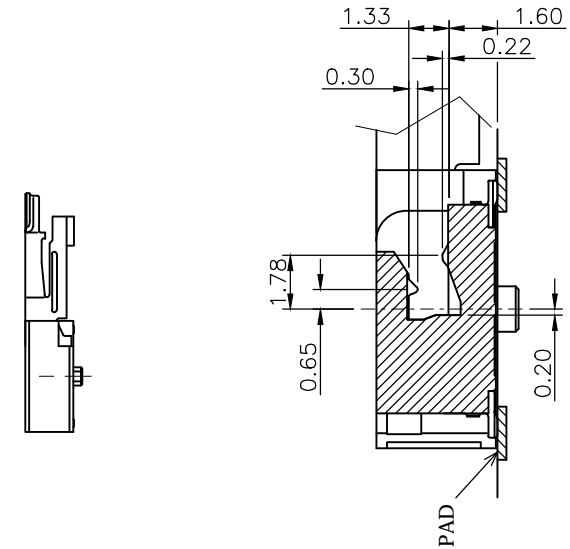
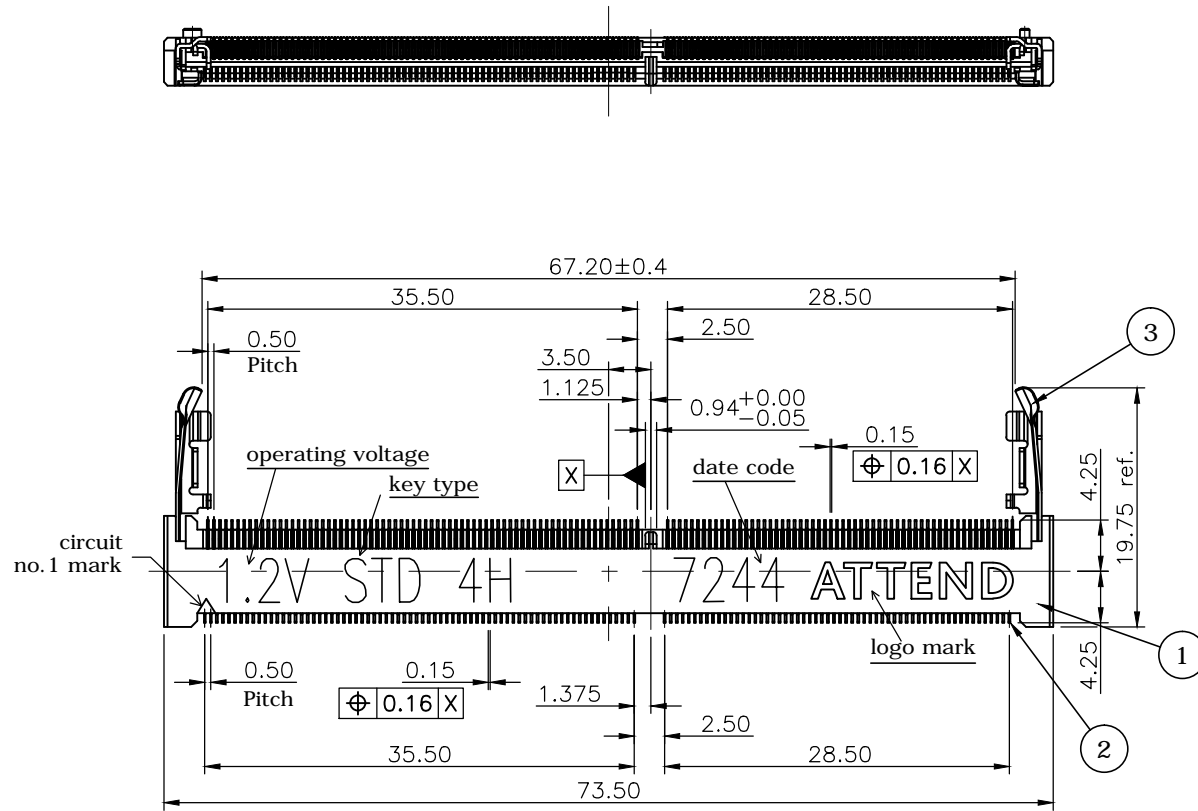
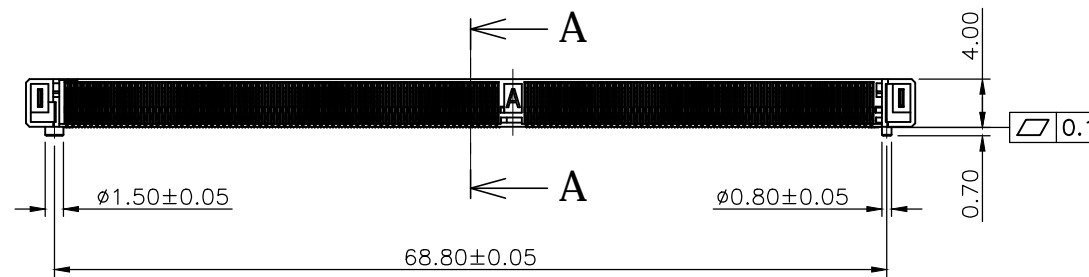


REV.	DESCRIPTION	DRAWN	DATE
1	Initial release	FROS	2017/09/01

DATE CODE: 7244 (YWWDD)  
 Y: YEAR (2017)  
 WW: WEEK (01~52)  
 D: DAY (1~7)



SECTION A-A, SCALE 4/1




3	LATCH	SUS, matt-tin plating over nickel on solder area	
2	CONTACT	Copper alloy, selective gold plating over nickel	
1	HOUSING	LCP, UL94V-0, Black	
NO. PART NAME		DESCRIPTION	
UNLESS OTHERWISE SPECIFIED TOLERANCE			
UNIT:	DECIMAL	LINEAR	ANGLES
mm	X.	±0.50	±5°
	X.X	±0.25	±3°
	X.XX	±0.12	±1°
DRAWN		Fros	2017/08/03
CHECKED		Tim	2017/08/03
APPROVED		Ken	2017/08/03
SCALE		1.6/1	SHEET 1/2
SIZE		A4	
DRAWN NAME:		DDR4 SODIMM Horizontal Socket	
CHECKED		4.0H STD, G/F, Black, Reel, Solder Latch	
APPROVED		PRODUCT NO.	124A-40A00
FILE NAME		124A-40A00_B_1	

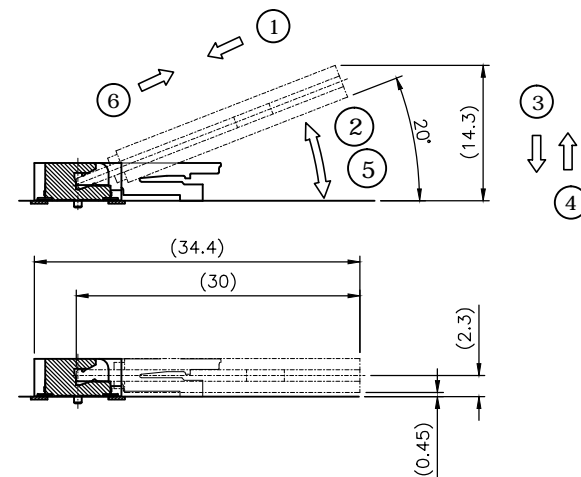
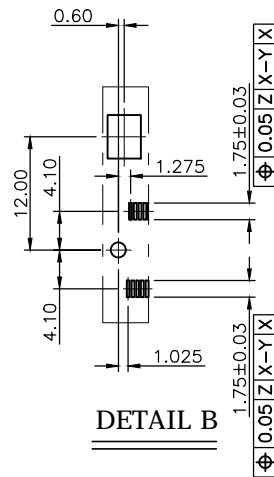


www.attend.com.tw

REV.	DESCRIPTION	DRAWN	DATE
	SEE SHEET ONE		

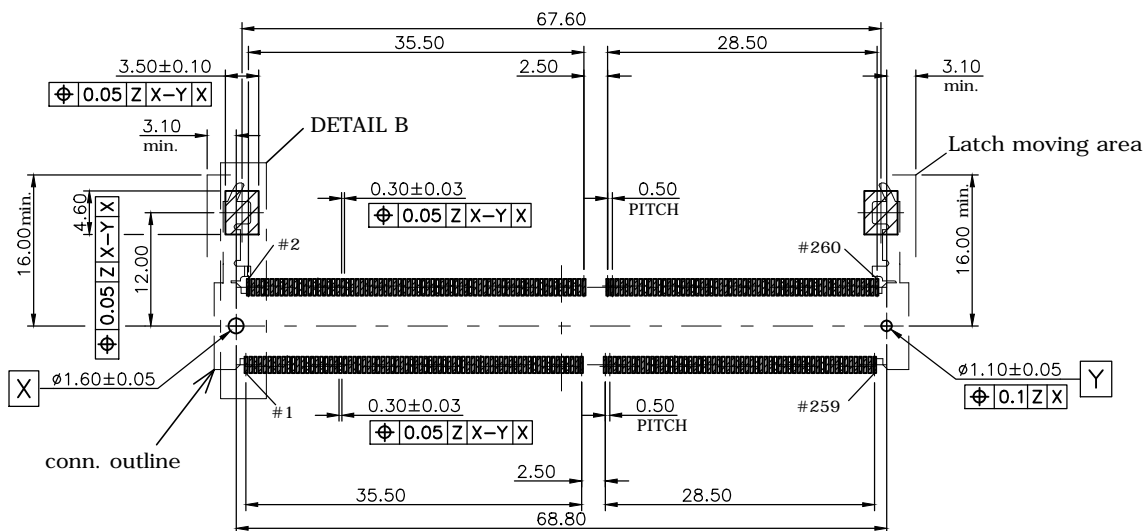
NOTE:

1. A PCB side be DETAM-"Z"
2. Connector outline. no component area.
3. Latch moving area. no component area.
4.  PAD



MATING: ① INSERTING(20°) → ② ROTATING(0°) → ③ FIXED  
 UNMATING: ④ UNFIXED → ⑤ RISE UP (20°) → ⑥ EXTRACTING

MATING/UNMATING VIEW



RECOMMENDED LAYOUT (TOP VIEW)  
GENERAL TOLERANCE: ±0.05

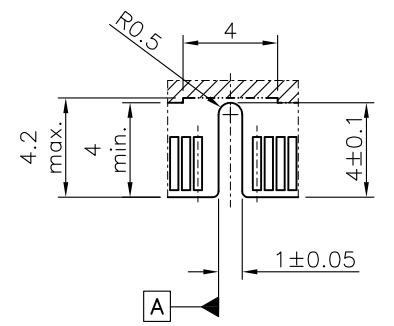
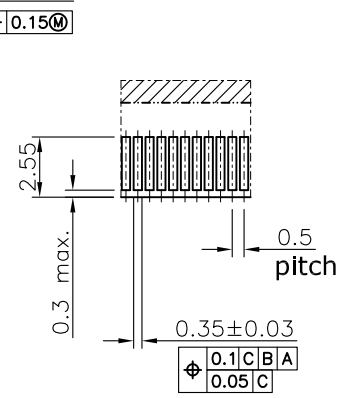
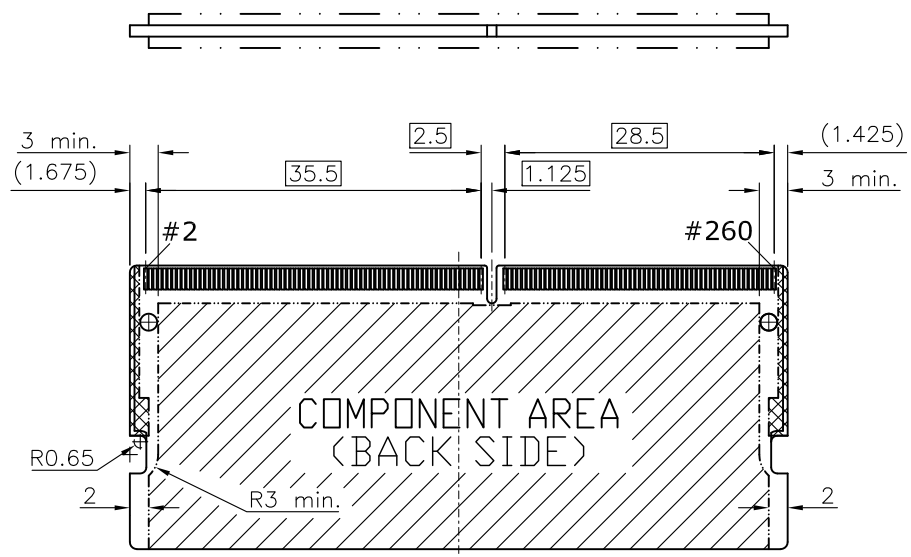
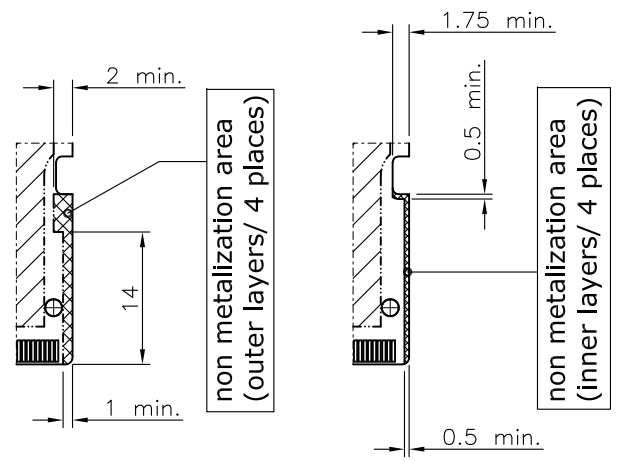
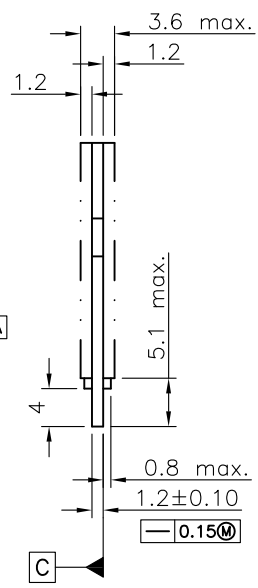
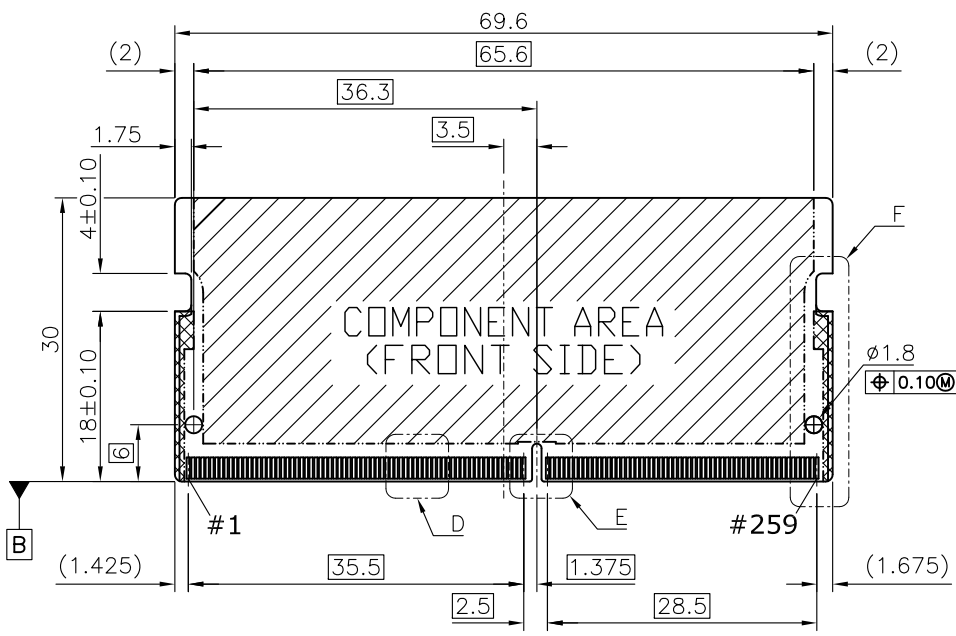
UNLESS OTHERWISE SPECIFIED TOLERANCE			
UNIT:	DECIMAL	LINEAR	ANGLES
mm	X.	±0.50	±5°
	X.X	±0.25	±3°
	X.XX	±0.12	±1°




www.attend.com.tw

DRAWN	Fros	2017/08/03	DRAWN NAME:
CHECKED	Tim	2017/08/03	DDR4 SODIMM Horizontal Socket
APPROVED	Ken	2017/08/03	4.0H STD, G/F, Black, Reel, Solder Latch
SCALE	1.25/1	SHEET	2/2
SIZE	A4	PRODUCT NO.	124A-40A00
FILE NAME	124A-40A00_B_1		

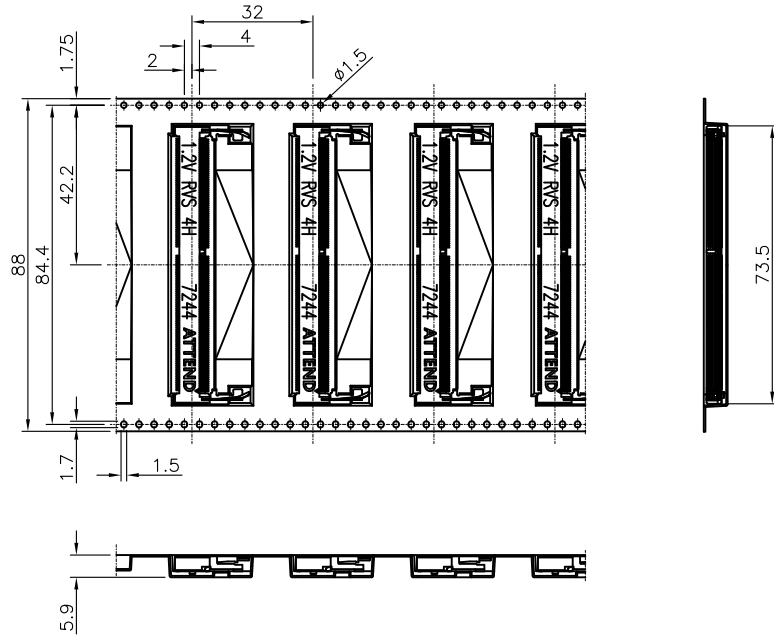
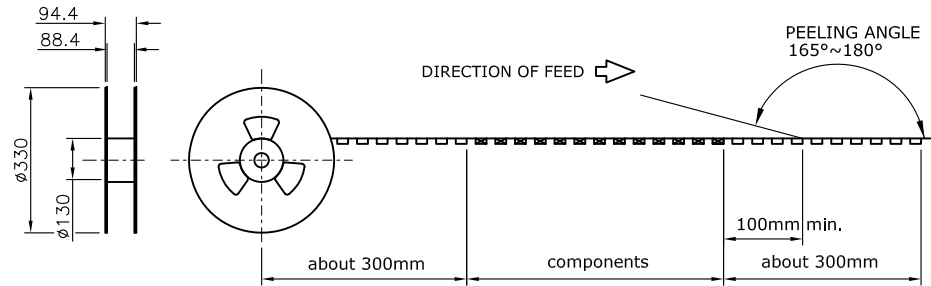
REV.	DESCRIPTION	DRAWN	DATE
1	INITIAL RELEASE	FROS	2017/02/23



Note: tolerance on dimensions is  $\pm 0.15$  unless otherwise specified.

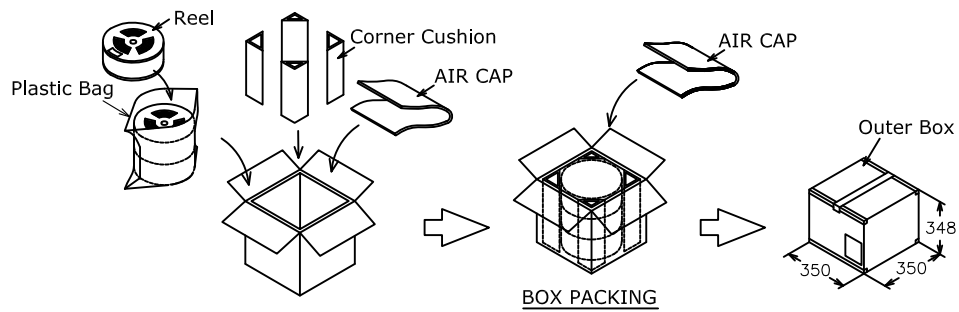
UNLESS OTHERWISE SPECIFIED TOLERANCE					
UNIT:	DECIMAL	LINEAR	ANGLES		
mm	X.	$\pm 0.50$	$\pm 5^\circ$	www.attend.com.tw	
	X.X	$\pm 0.25$	$\pm 3^\circ$		
	X.XX	$\pm 0.12$	$\pm 1^\circ$		
DRAWN	Fros	2017/02/23	DRAWN NAME: DDR4 SODIMM CARD SPEC.		
CHECKED	Tim	2017/02/23	PRODUCT NO.		
APPROVED	Ken	2017/02/23	FILE NAME 124-CARD_B_1		
SCALE 1.25/1		SHEET 1/1	SIZE A4		

REV.	DESCRIPTION	DRAWN	DATE
1	INITIAL RELEASE	FROS	2017/08/03



## PACKAGING SPECIFICATION:

1. MATERIAL
  - 1.1 Embossed Carrier Tape: PS Black
  - 1.2 Top Cover Tape: PET  
0.1N-1.5N(Peel Speed 300mm/Minute)
  - 1.3 Taping Reel: Plastic
2. PACKING
  - 2.1 Quantity:  
250 Piece/Reel  
3 Reel/Carton  
750 Piece/Carton
  - 2.2 Weight: 6.5Kg




NO.	P/N	Description
1	124A-40A00	DDR4 Horizontal 4.0H, STD, Solder Latch
2	124A-40A10	DDR4 Horizontal 4.0H, RVS, Solder Latch

UNLESS OTHERWISE SPECIFIED TOLERANCE			
UNIT:	DECIMAL	LINEAR	ANGLES
mm	X.	±0.50	±5°
	X.X	±0.25	±3°
	X.XX	±0.12	±1°

DRAWN: Fros			2017/08/03		 www.attend.com.tw
CHECKED: Tim			2017/08/03		
APPROVED: Ken			2017/08/03		
SCALE: N/A			SHEET: 1/1		
SIZE: A4			FILE NAME: 124A-40AX0_D_1		