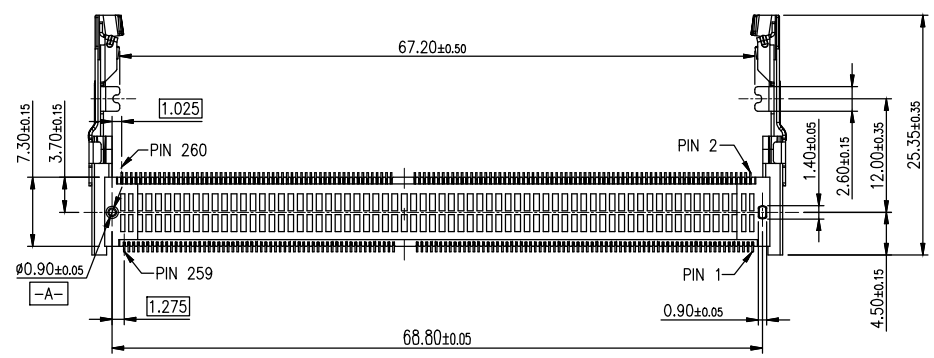
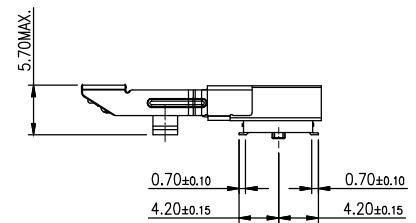
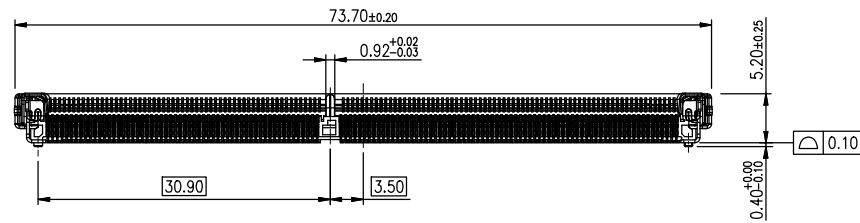
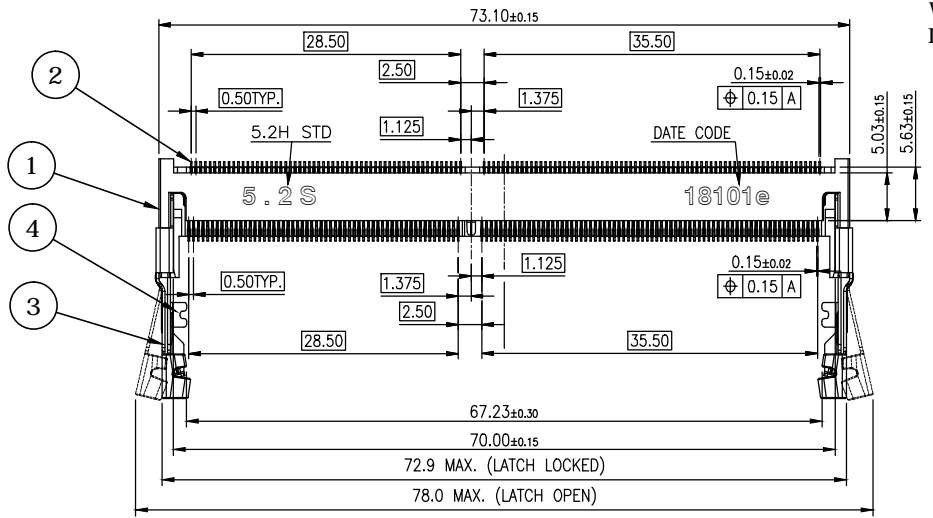


DATE CODE: 18101 (YYWW)
 YY: YEAR (2018)
 WW: WEEK (01~52)
 D: DAY (1~7)

REV.	DESCRIPTION	DRAWN	DATE
1	Initial release	FROS	2019/05/30



SPECIFICATION:

1. ELECTRICAL

- 1.1 Current Rating: 0.6A per pin
- 1.2 Voltage Rating: 25V AC
- 1.3 Contact Resistance: 60mΩ max.
- 1.4 Insulation Resistance: 100MΩ
- 1.5 Dielectric Withstanding Voltage: 500VAC

2. MECHANICAL

- 2.1 Durability: 50 Cycle
- 2.2 Insertion Force: 59.8N max.
- 2.3 Extraction Force: 44.6N max.


3. ENVIRONMENTAL

- 3.1 Operating temperature range: -40°C~+85°C
- 3.2 Storage temperature range: -40°C~+85°C

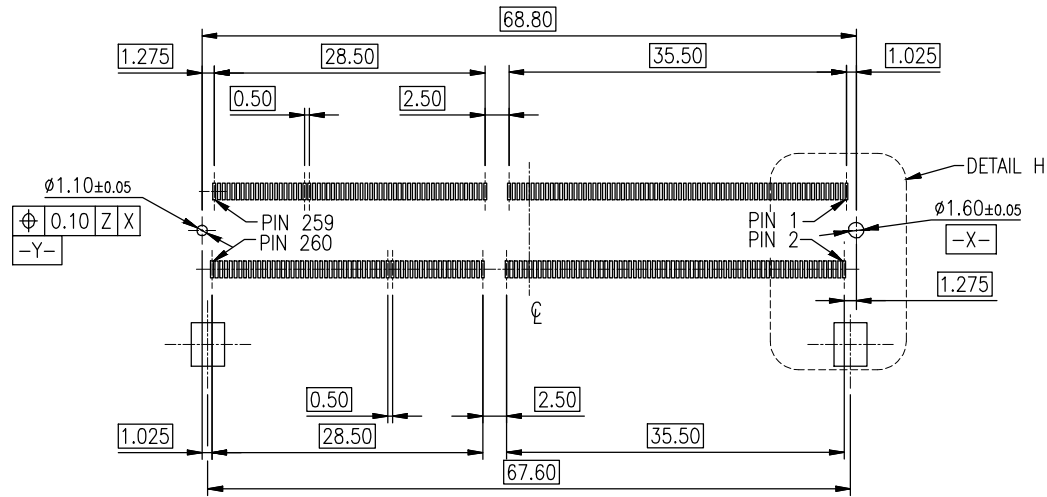
4. SOLDER ABILITY

- 4.1 Recommended IR-Reflow Temperature: 260°C

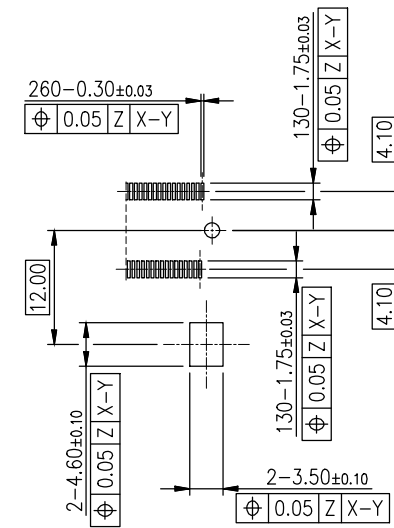
4	PEG	Stainless steel, 50u" min. tin plating over 50u" min. nickel plating
3	LATCH	Stainless steel
2	CONTACT	Copper alloy, contact area gold flash, solder area gold flash, under plating 50u" min. nickel
1	HOUSING	LCP, UL94V-0, black
NO.	PART NAME	DESCRIPTION

UNLESS OTHERWISE SPECIFIED TOLERANCE				 www.attend.com.tw
UNIT:	DECIMAL	LINEAR	ANGLES	
mm	X.	±0.50	±5°	
	X.X	±0.25	±3°	
	X.XX	±0.12	±1°	
DRAWN	Fros	2019/05/30	DRAWN NAME:	
CHECKED	Tim	2019/05/30	DDR4 SODIMM Socket, Horizontal 5.2H, STD, G/F, Black, Reel, Solder PEG	
APPROVED	Ken	2019/05/30	PRODUCT NO. 124A-52A03	
SCALE	1.25/1	SHEET 1/2	SIZE A4	FILE NAME 124A-52A03_B_1

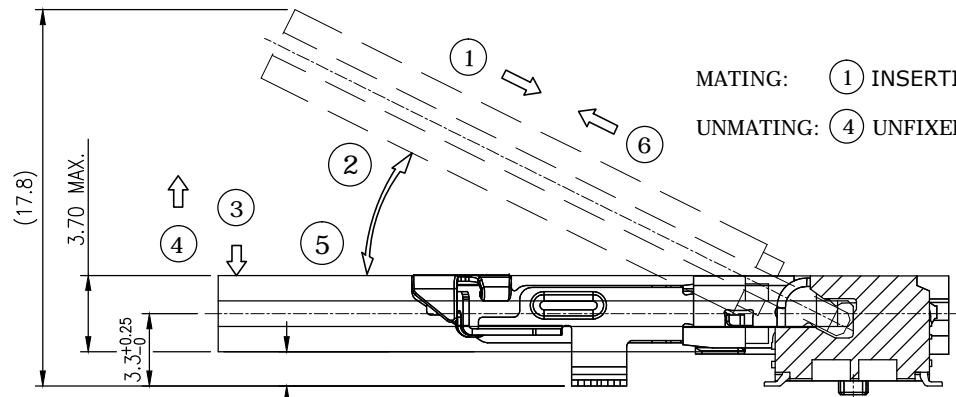
REV.	DESCRIPTION	DRAWN	DATE
	SEE SHEET ONE		



RECOMMENDED LAYOUT (TOP VIEW)
GENERAL TOLERANCE: ± 0.05



DETAIL H
SCALE 1/1



MATING: ① INSERTING(25°) → ② ROTATING(0°) → ③ FIXED
 UNMATING: ④ UNFIXED → ⑤ RISE UP (25°) → ⑥ EXTRACTING

MATING/UNMATING VIEW

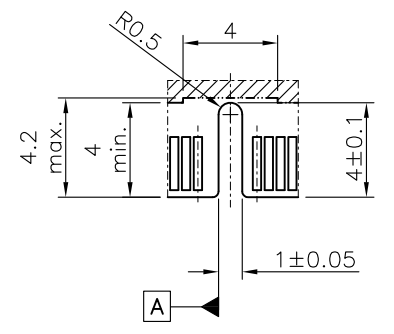
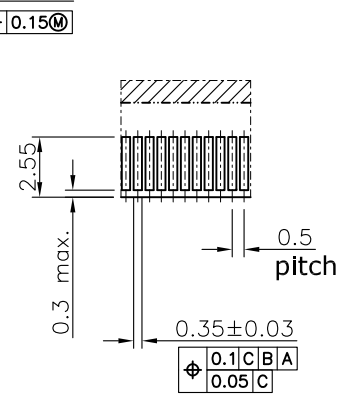
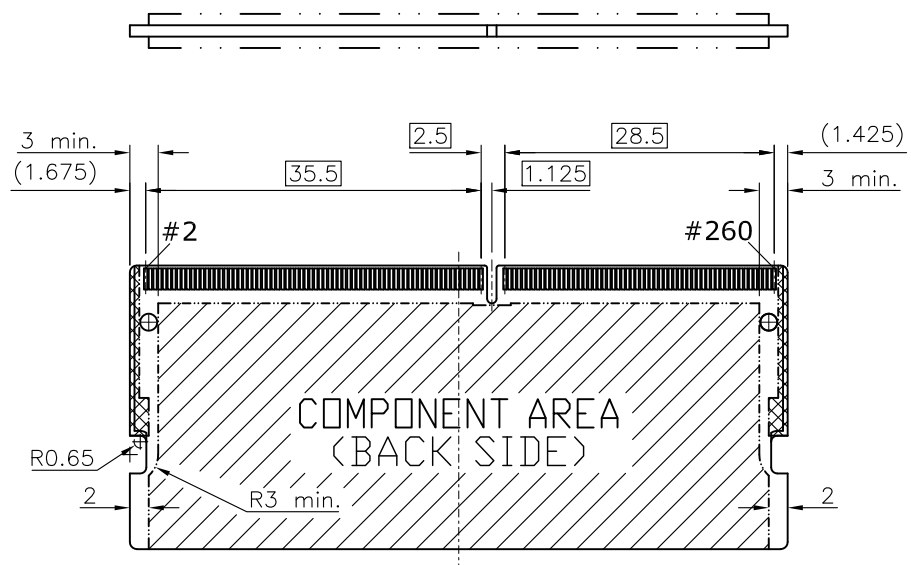
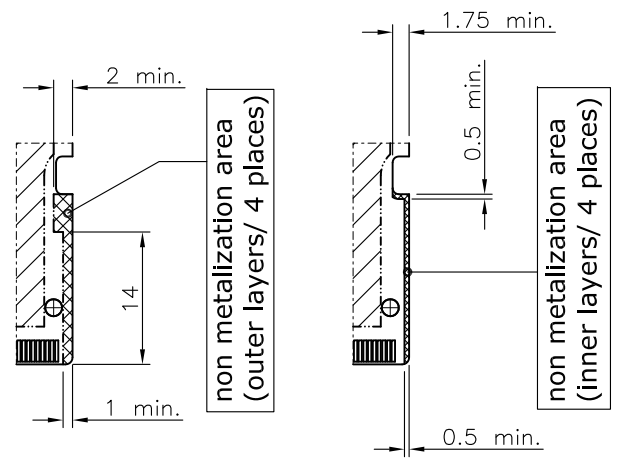
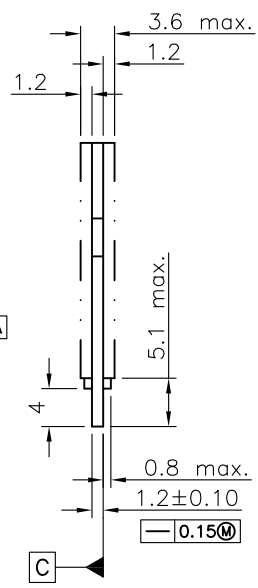
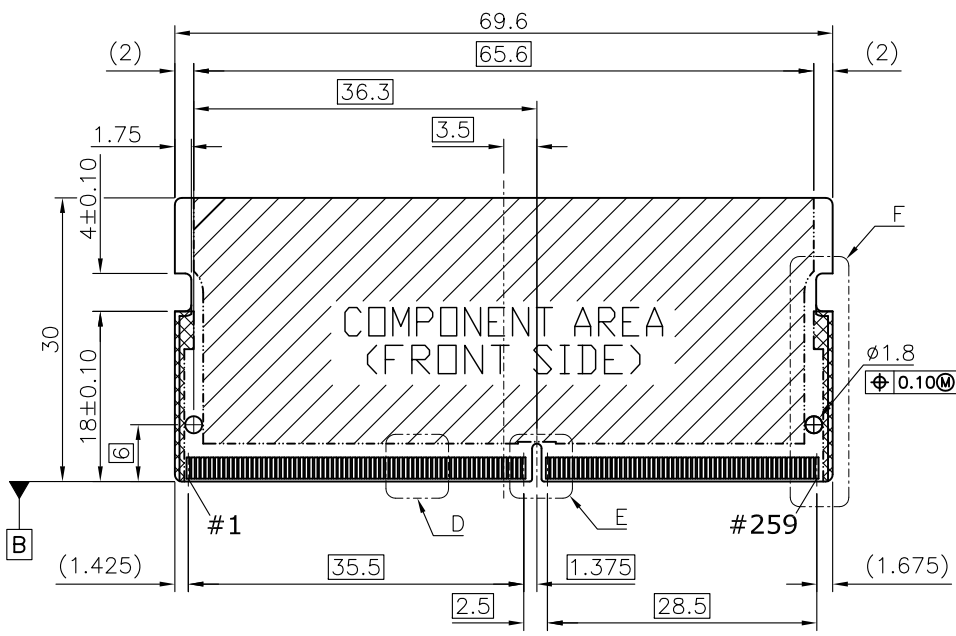
UNLESS OTHERWISE SPECIFIED TOLERANCE			
UNIT:	DECIMAL	LINEAR	ANGLES
mm	X.	± 0.50	$\pm 5^\circ$
	X.X	± 0.25	$\pm 3^\circ$
	X.XX	± 0.12	$\pm 1^\circ$




www.attend.com.tw

DRAWN	Fros	2019/05/30	DRAWN NAME:	DDR4 SODIMM Socket, Horizontal 5.2H,			
CHECKED	Tim	2019/05/30		STD, G/F, Black, Reel, Solder PEG			
APPROVED	Ken	2019/05/30	PRODUCT NO.	124A-52A03			
SCALE	1.6/1	SHEET	2/2	SIZE	A4	FILE NAME	124A-52A03_B_1

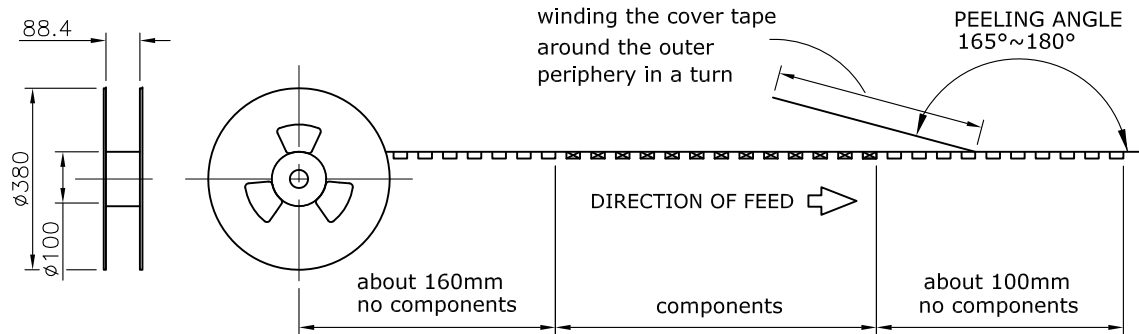
REV.	DESCRIPTION	DRAWN	DATE
1	INITIAL RELEASE	FROS	2017/02/23



Note: tolerance on dimensions is ± 0.15 unless otherwise specified.

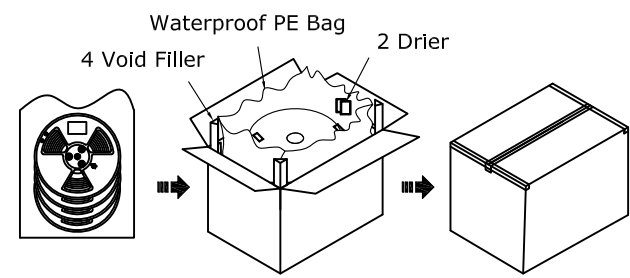
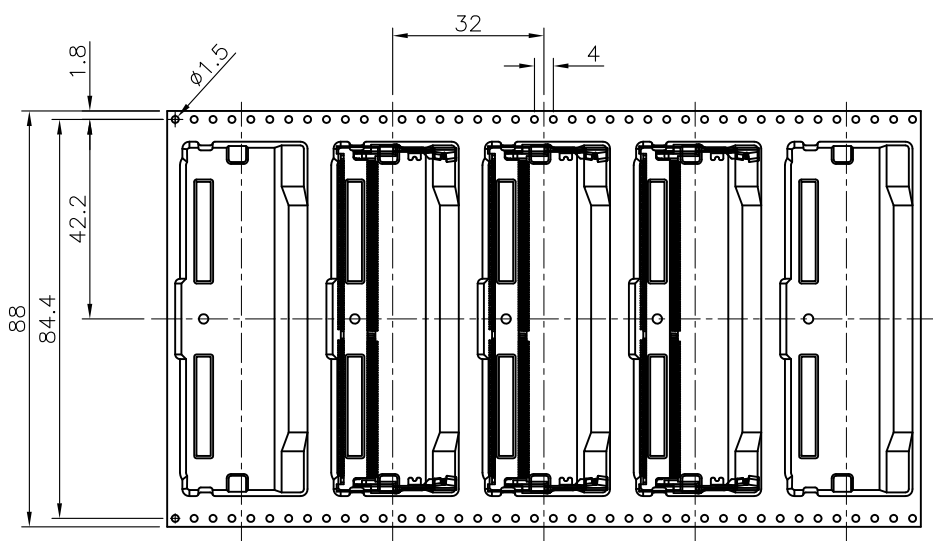
UNLESS OTHERWISE SPECIFIED TOLERANCE					
UNIT:	DECIMAL	LINEAR	ANGLES		
mm	X.	± 0.50	$\pm 5^\circ$	www.attend.com.tw	
	X.X	± 0.25	$\pm 3^\circ$		
	X.XX	± 0.12	$\pm 1^\circ$		
DRAWN	Fros	2017/02/23	DRAWN NAME: DDR4 SODIMM CARD SPEC.		
CHECKED	Tim	2017/02/23	PRODUCT NO.		
APPROVED	Ken	2017/02/23	FILE NAME 124-CARD_B_1		
SCALE 1.25/1		SHEET 1/1	SIZE A4		

REV.	DESCRIPTION	DRAWN	DATE
1	INITIAL RELEASE	FROS	2019/06/10


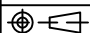


PACKAGING SPECIFICATION:

1. MATERIAL
 - 1.1 Embossed Carrier Tape: PS Black
 - 1.2 Top Cover Tape: PET
20-80g(Peel Speed 300mm/Minute)
 - 1.3 Taping Reel: Plastic



Carton L*W*H=405*405*320

P/N	REEL	CARTON	
124A-52A03	450PCS	1350PCS	
124A-52A13	450PCS	1350PCS	
UNLESS OTHERWISE SPECIFIED TOLERANCE			
UNIT:	DECIMAL	LINEAR	ANGLES
mm	X.	±0.50	±5°
	X.X	±0.25	±3°
	X.XX	±0.12	±1°
			
www.attend.com.tw			
DRAWN	Fros	2019/06/10	DRAWN NAME:
CHECKED	Tim	2019/06/10	DDR4 SODIMM Socket, Horizontal 5.2H, G/F, Reel, Solder Latch
APPROVED	Ken	2019/06/10	PRODUCT NO. SEE TABLE
	SCALE 1/1	SHEET 1/1	SIZE A4
FILE NAME		124A-52AX3_D_1	