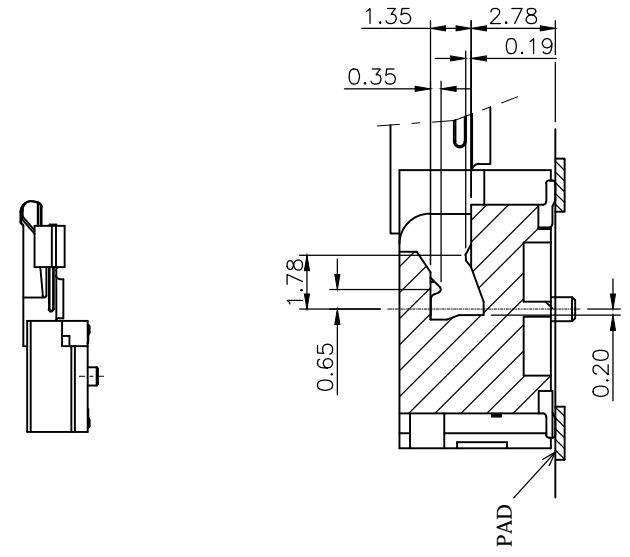
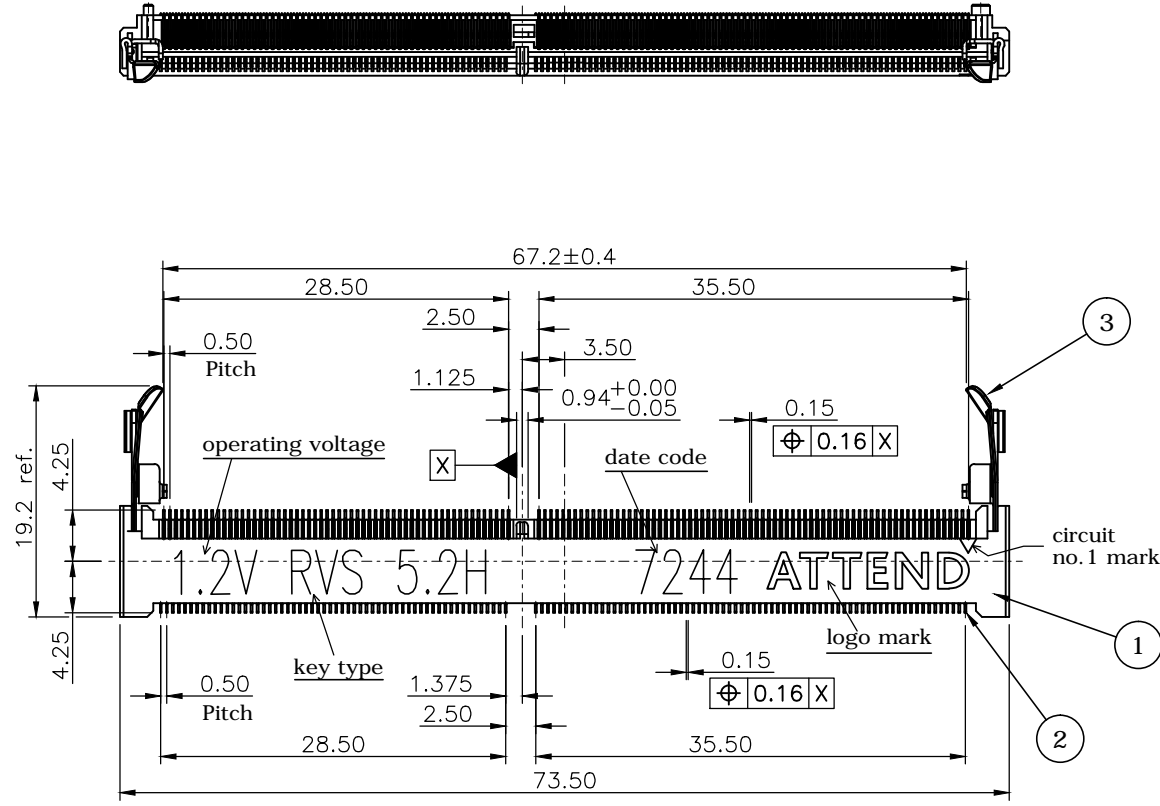
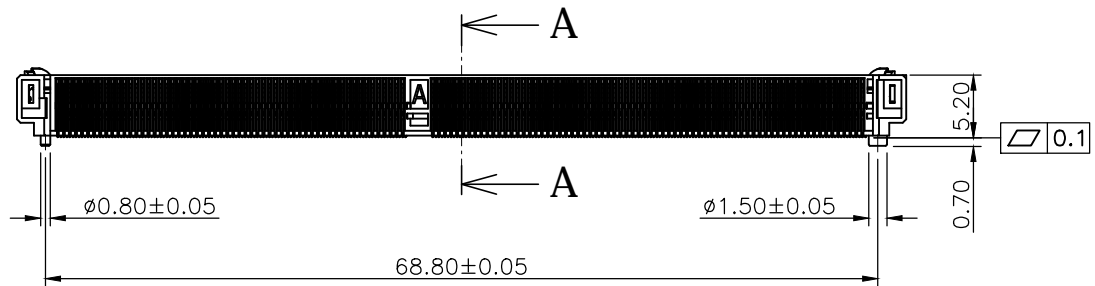


REV.	DESCRIPTION	DRAWN	DATE
1	Initial release	FROS	2017/09/01

DATE CODE: 7244 (YWWDD)  
 Y: YEAR (2017)  
 WW: WEEK (01~52)  
 D: DAY (1~7)



**SECTION A-A, SCALE 4/1**




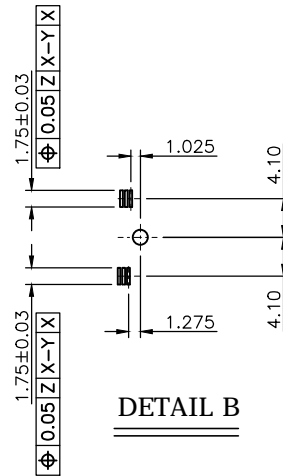
3	LATCH	Stainless steel	
2	CONTACT	Copper alloy, selective gold plating over nickel	
1	HOUSING	LCP, UL94V-0, Black	
NO. PART NAME		DESCRIPTION	
UNLESS OTHERWISE SPECIFIED TOLERANCE			
UNIT:	DECIMAL	LINEAR	ANGLES
	X.	±0.50	±5°
	X.X	±0.25	±3°
	X.XX	±0.12	±1°
www.attend.com.tw			
DRAWN	Fros	2017/08/03	DRAWN NAME: DDR4 SODIMM Horizontal Socket 5.2H, RVS, G/F, Black, Reel, Short Latch
CHECKED	Tim	2017/08/03	
APPROVED	Ken	2017/08/03	
SCALE	SHEET	SIZE	
1.6/1	1/2	A4	PRODUCT NO. 124A-52A12
FILE NAME			124A-52A12_B_1



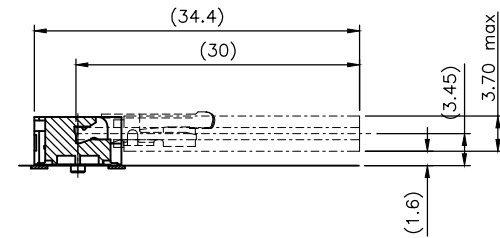
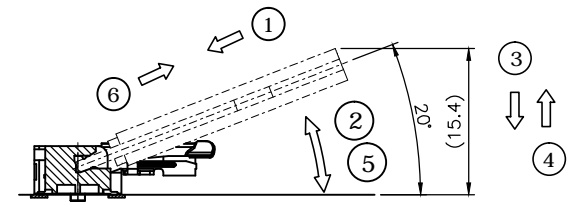
REV.	DESCRIPTION	DRAWN	DATE
	see sheet one		

NOTE:

1. A PCB side be DETAM-"Z"
2. Connector outline. no component area.
3. Latch moving area. no component area.
4.  PAD

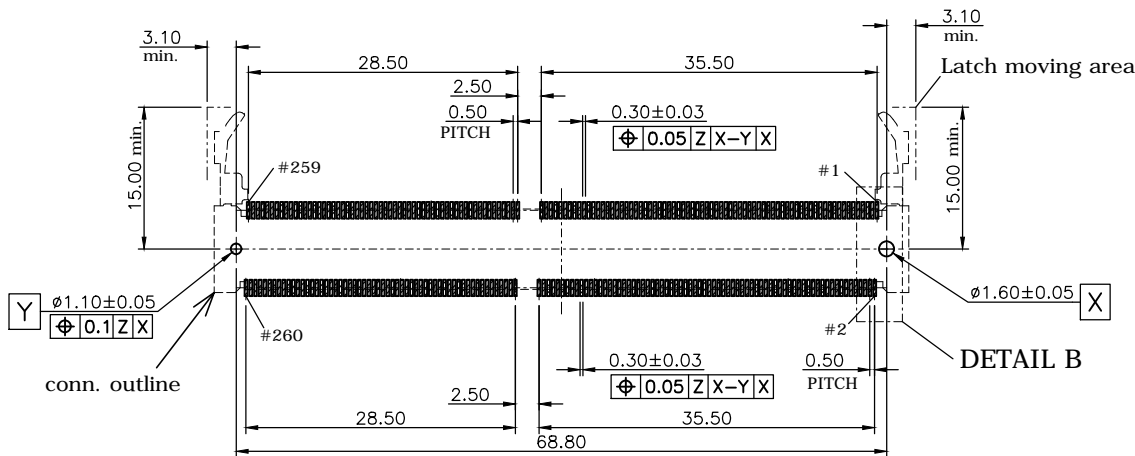


**DETAIL B**



MATING: ① INSERTING(20°) → ② ROTATING(0°) → ③ FIXED  
 UNMATING: ④ UNFIXED → ⑤ RISE UP (20°) → ⑥ EXTRACTING

**MATING/UNMATING VIEW**



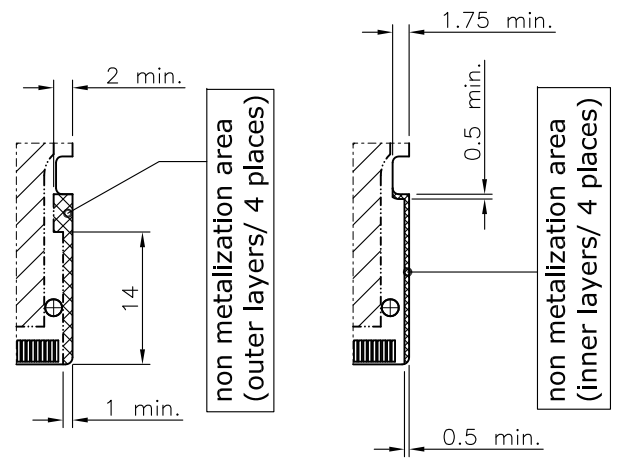
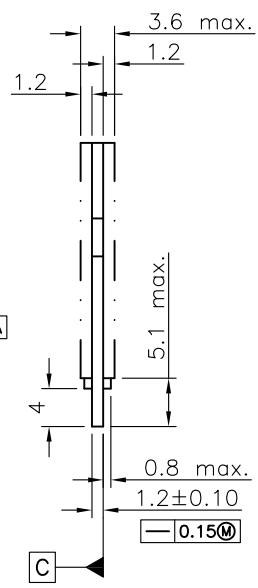
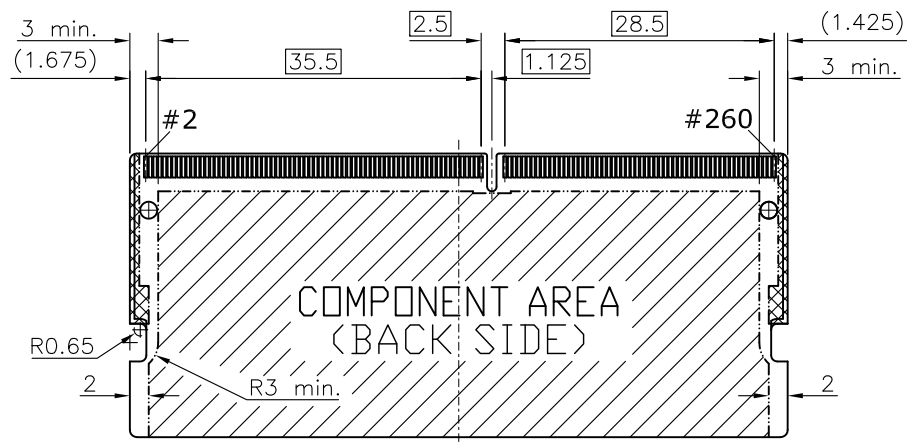
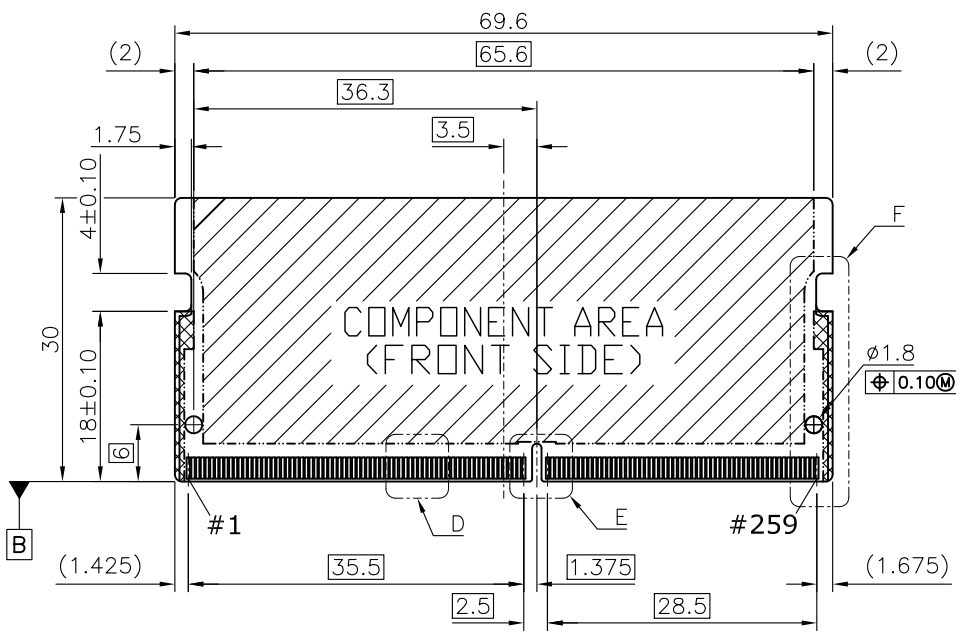
**RECOMMENDED LAYOUT (TOP VIEW)**  
**GENERAL TOLERANCE: ±0.05**

UNLESS OTHERWISE SPECIFIED TOLERANCE			
UNIT:	DECIMAL	LINEAR	ANGLES
mm	X.	±0.50	±5°
	X.X	±0.25	±3°
	X.XX	±0.12	±1°
DRAWN	Fros	2017/08/03	DRAWN NAME: DDR4 SODIMM Horizontal Socket 5.2H, RVS, G/F, Black, Reel, Short Latch
CHECKED	Tim	2017/08/03	
APPROVED	Ken	2017/08/03	
SCALE	1.25/1	SHEET 2/2	
FILE NAME		124A-52A12_B_1	

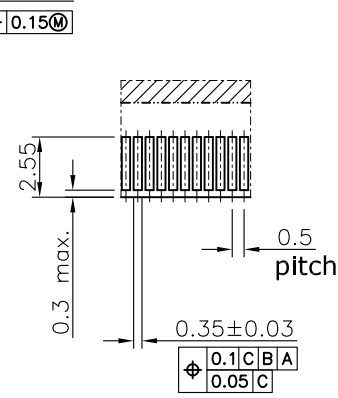


www.attend.com.tw

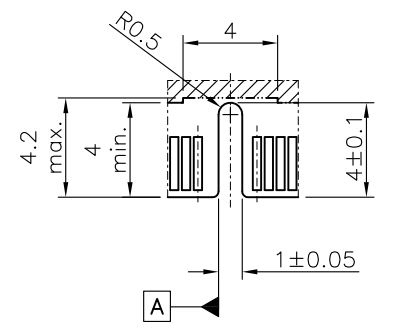
REV.	DESCRIPTION	DRAWN	DATE
1	INITIAL RELEASE	FROS	2017/02/23



**Detail F**




**Detail D**  
SCALE 3.125

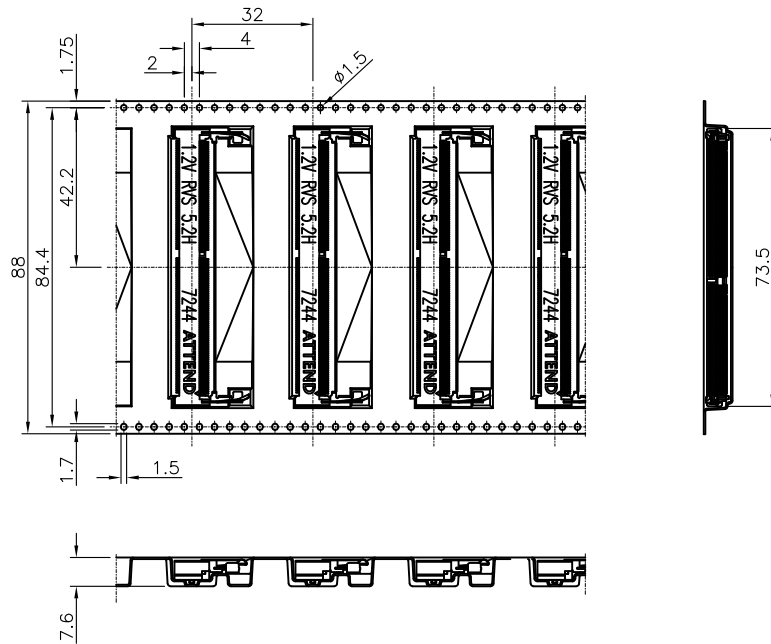
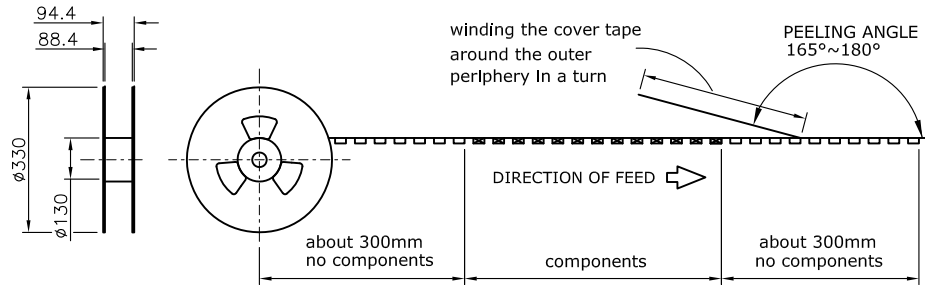


**Detail E**  
SCALE 3.125

Note: tolerance on dimensions is ±0.15 unless otherwise specified.

UNLESS OTHERWISE SPECIFIED TOLERANCE					
UNIT:	DECIMAL	LINEAR	ANGLES		
mm	X.	±0.50	±5°	www.attend.com.tw	
	X.X	±0.25	±3°		
	X.XX	±0.12	±1°		
DRAWN	Fros	2017/02/23	DRAWN NAME: DDR4 SODIMM CARD SPEC.		
CHECKED	Tim	2017/02/23	PRODUCT NO.		
APPROVED	Ken	2017/02/23	FILE NAME: 124-CARD_B_1		
SCALE	SHEET	SIZE			
1.25/1	1/1	A4			

REV.	DESCRIPTION	DRAWN	DATE
1	INITIAL RELEASE	FROS	2017/08/03



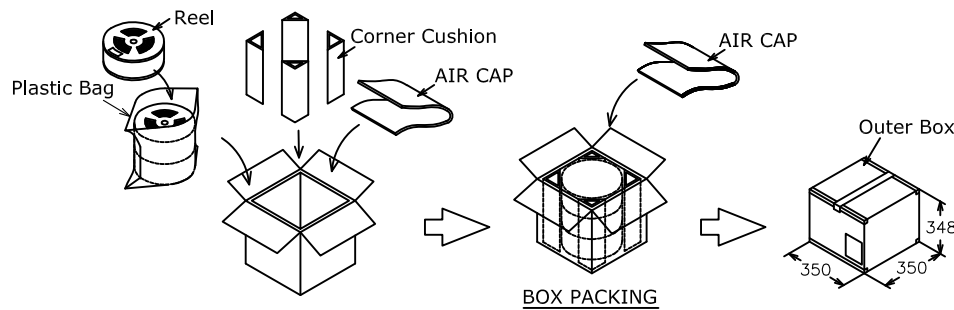
## PACKAGING SPECIFICATION:

### 1. MATERIAL

- 1.1 Embossed Carrier Tape: PS Black
- 1.2 Top Cover Tape: PET  
0.1N-1.5N (Peel Speed 300mm/Minute)
- 1.3 Taping Reel: Plastic

### 2. PACKING

- 2.1 Quantity:  
250 Piece/Reel  
3 Reel/Carton  
750 Piece/Carton
- 2.2 Weight: 7.5Kg



NO.	P/N	Description
1	124A-52A02	DDR4 Horizontal 5.2H, STD, Reel, Short Latch
2	124A-52A12	DDR4 Horizontal 5.2H, RVS, Reel, Short Latch

UNLESS OTHERWISE SPECIFIED TOLERANCE			
UNIT:	DECIMAL	LINEAR	ANGLES
mm	X.	±0.50	±5°
	X.X	±0.25	±3°
	X.XX	±0.12	±1°

DRAWN: Fros		2017/08/03	DRAWN NAME:	
CHECKED: Tim		2017/08/03	Packaging Specifications	
APPROVED: Ken		2017/08/03	PRODUCT NO.	SEE TABLE
SCALE: N/A	SHEET: 1/1	SIZE: A4	FILE NAME	124A-52AX2_D_1



www.attend.com.tw