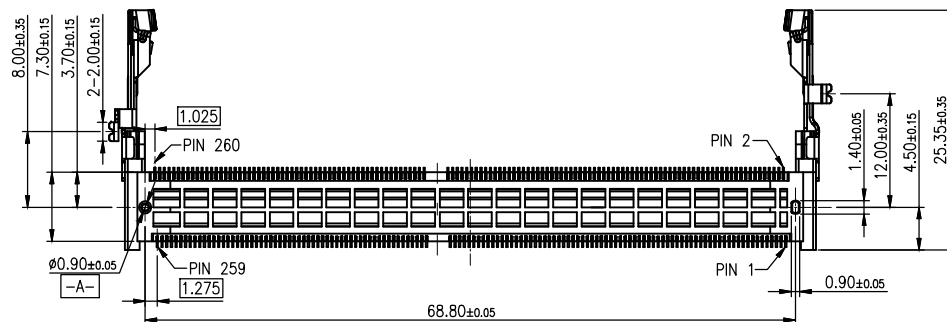
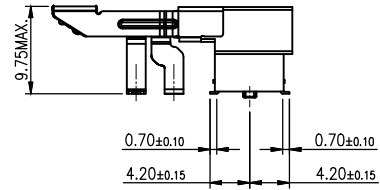
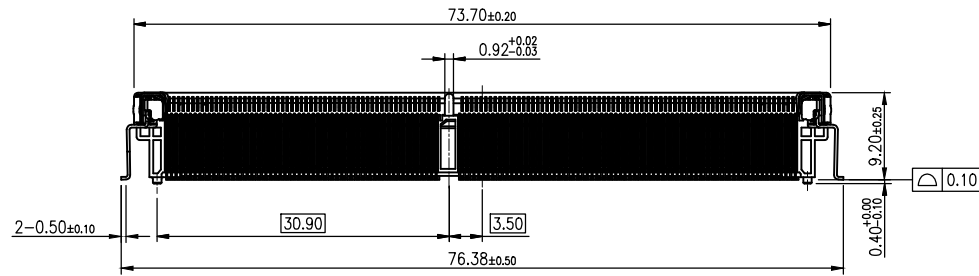
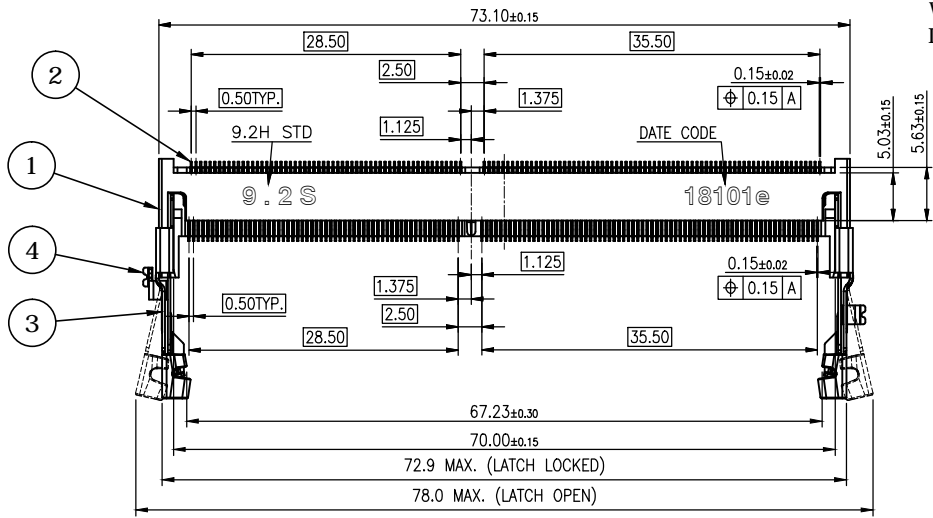


DATE CODE: 18101 (YYWW)  
 YY: YEAR (2018)  
 WW: WEEK (01~52)  
 D: DAY (1~7)

REV.	DESCRIPTION	DRAWN	DATE
1	Initial release	FROS	2019/05/30



**SPECIFICATION:**

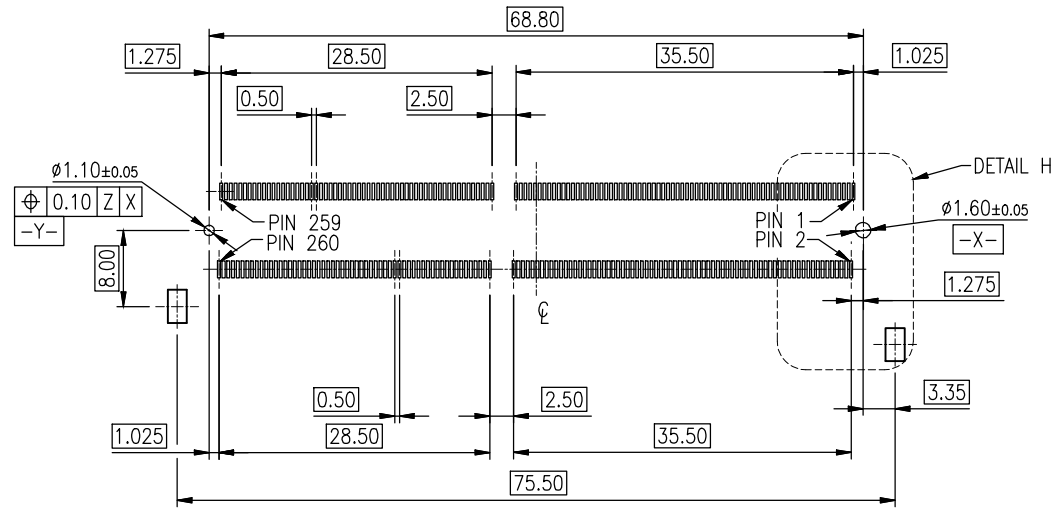
1. ELECTRICAL
  - 1.1 Current Rating: 0.6A per pin
  - 1.2 Voltage Rating: 25V AC
  - 1.3 Contact Resistance: 60mΩ max.
  - 1.4 Insulation Resistance: 100MΩ
  - 1.5 Dielectric Withstanding Voltage: 500VAC
2. MECHANICAL
  - 2.1 Durability: 50 Cycle
  - 2.2 Insertion Force: 59.8N max.
  - 2.3 Extraction Force: 44.6N max.
3. ENVIRONMENTAL
  - 3.1 Operating temperature range: -40°C~+85°C
  - 3.2 Storage temperature range: -40°C~+85°C
4. SOLDER ABILITY
  - 4.1 Recommended IR-Reflow Temperature: 260°C

4	PEG	Stainless steel, 50u" min. tin plating over 50u" min. nickel plating
3	LATCH	Stainless steel
2	CONTACT	Copper alloy, contact area gold flash, solder area gold flash, under plating 50u" min. nickel
1	HOUSING	LCP, UL94V-0, black

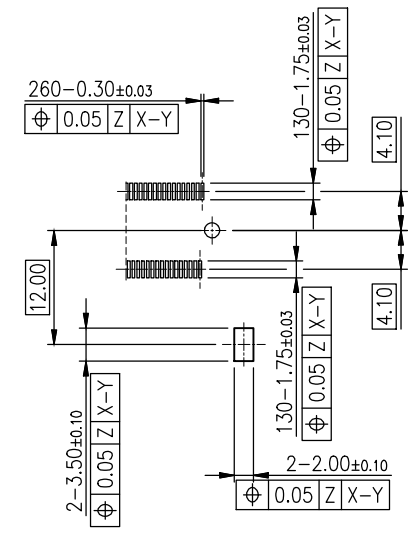
NO.		PART NAME		DESCRIPTION	
UNLESS OTHERWISE SPECIFIED TOLERANCE					
UNIT:	mm	DECIMAL	LINEAR	ANGLES	
		X.	±0.50	±5°	
		X.X	±0.25	±3°	
		X.XX	±0.12	±1°	
www.attend.com.tw					
DRAWN	Fros	2019/05/30	DRAWN NAME: DDR4 SODIMM Socket, Horizontal 9.2H, STD, G/F, Black, Reel, Solder PEG		
CHECKED	Tim	2019/05/30			
APPROVED	Ken	2019/05/30	PRODUCT NO.	124A-92A03	
SCALE	1.25/1	SHEET	1/2	SIZE	A4
			FILE NAME	124A-92A03_B_1	



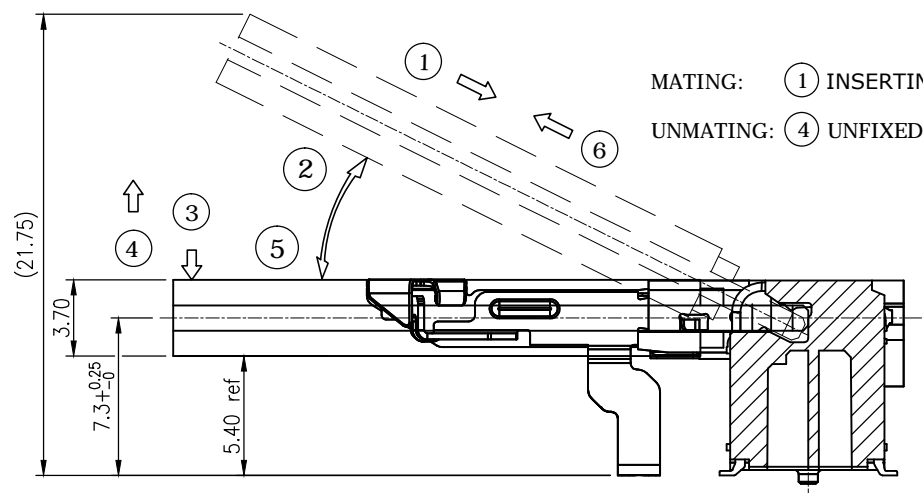
REV.	DESCRIPTION	DRAWN	DATE
	SEE SHEET ONE		



**RECOMMENDED LAYOUT (TOP VIEW)**  
**GENERAL TOLERANCE:  $\pm 0.05$**


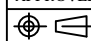


**DETAIL H**  
**SCALE 1.6/1**

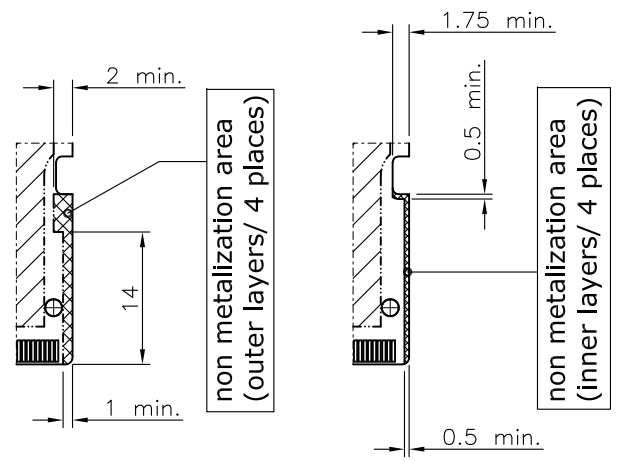
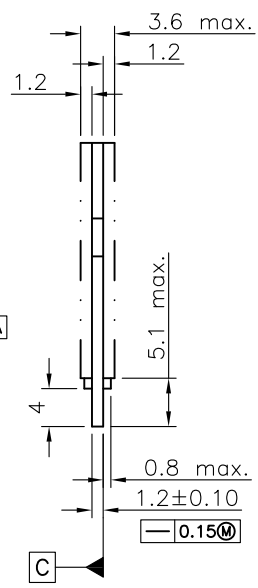
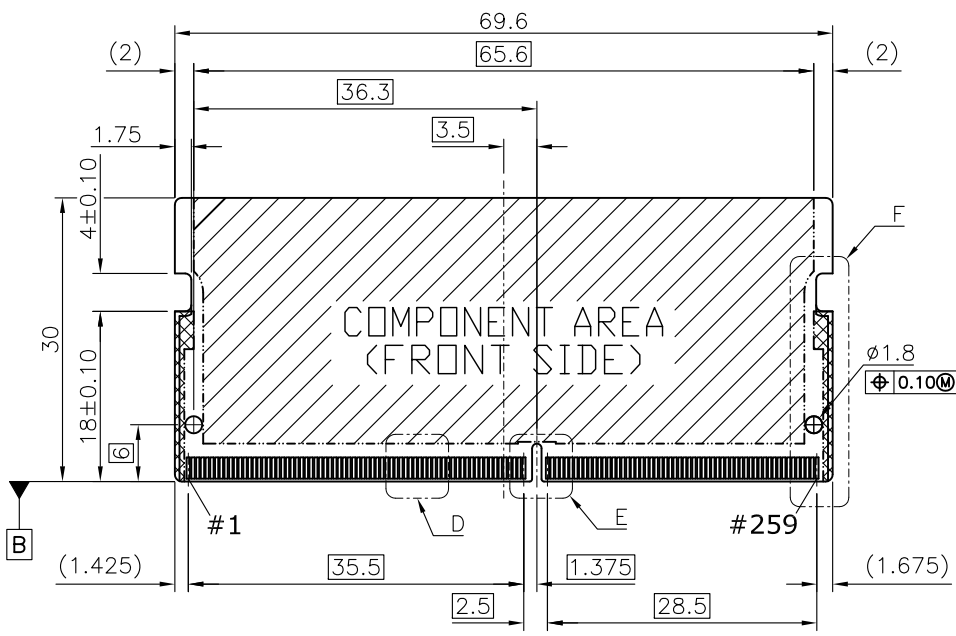


**MATING/UNMATING VIEW**

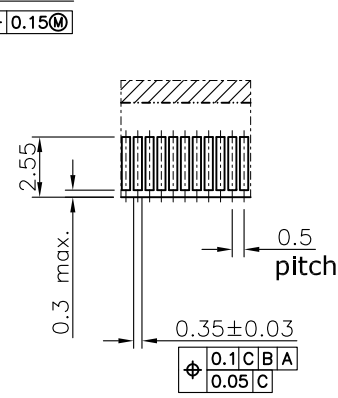
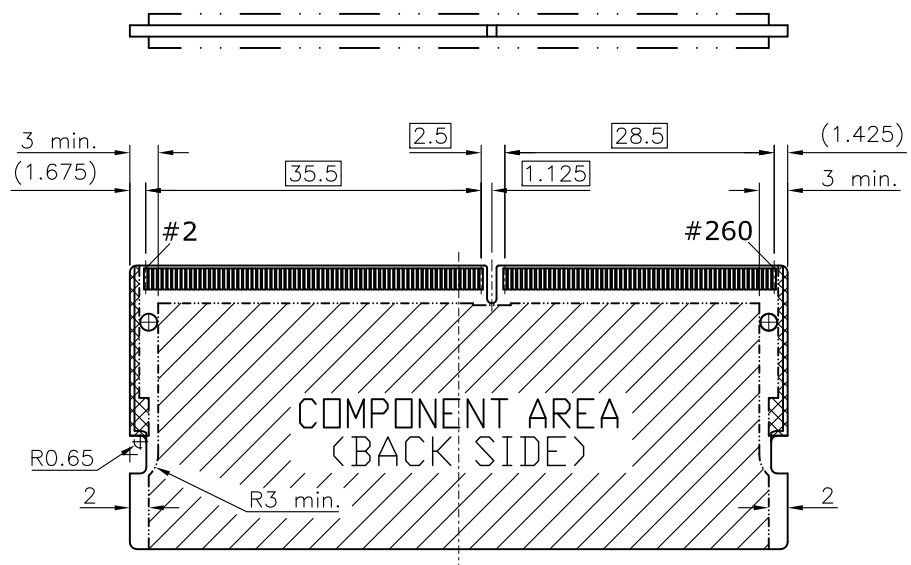
MATING: ① INSERTING(25°) → ② ROTATING(0°) → ③ FIXED  
 UNMATING: ④ UNFIXED → ⑤ RISE UP (25°) → ⑥ EXTRACTING

UNLESS OTHERWISE SPECIFIED TOLERANCE				 www.attend.com.tw
UNIT:	DECIMAL	LINEAR	ANGLES	
mm	X.	$\pm 0.50$	$\pm 5^\circ$	
	X.X	$\pm 0.25$	$\pm 3^\circ$	
	X.XX	$\pm 0.12$	$\pm 1^\circ$	
DRAWN	Fros	2019/05/30	DRAWN NAME:	
CHECKED	Tim	2019/05/30	DDR4 SODIMM Socket, Horizontal 9.2H, STD, G/F, Black, Reel, Solder PEG	
APPROVED	Ken	2019/05/30	PRODUCT NO. 124A-92A03	
	SCALE 1.6/1	SHEET 2/2	SIZE A4	FILE NAME 124A-92A03_B_1

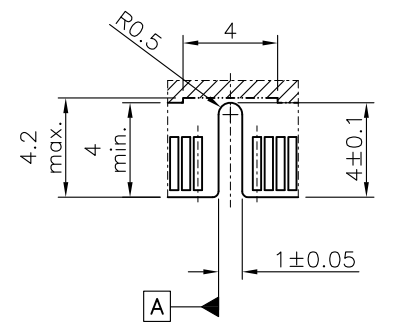
REV.	DESCRIPTION	DRAWN	DATE
1	INITIAL RELEASE	FROS	2017/02/23



**Detail F**


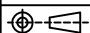


**Detail D**  
**SCALE 3.125**

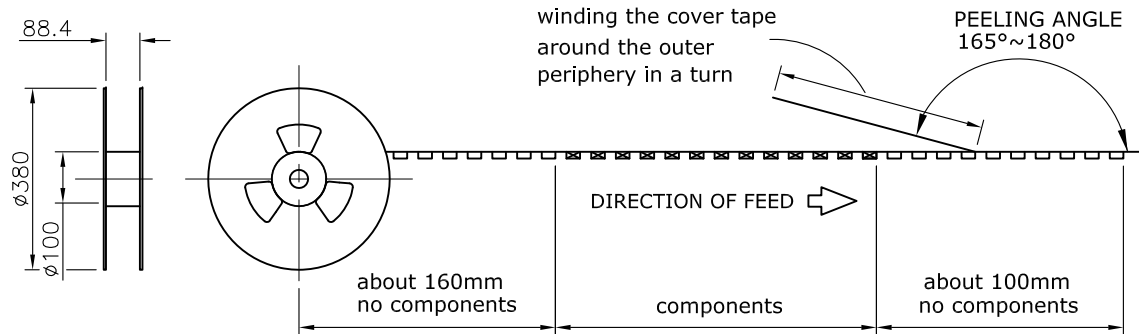


**Detail E**  
**SCALE 3.125**

Note: tolerance on dimensions is ±0.15 unless otherwise specified.

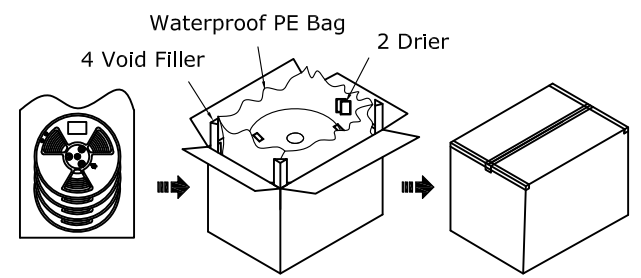
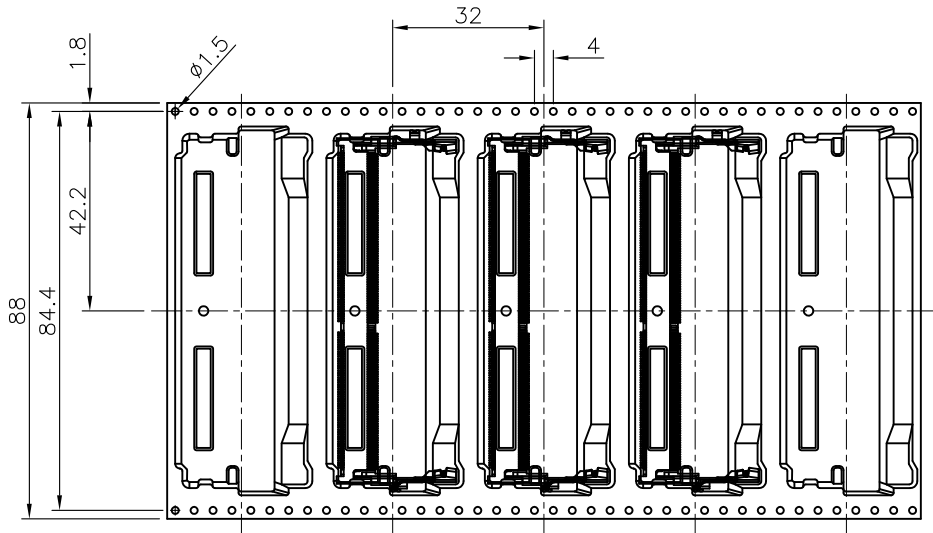
UNLESS OTHERWISE SPECIFIED TOLERANCE					
UNIT:	DECIMAL	LINEAR	ANGLES		
mm	X.	±0.50	±5°	www.attend.com.tw	
	X.X	±0.25	±3°		
	X.XX	±0.12	±1°		
DRAWN	Fros	2017/02/23	DRAWN NAME: DDR4 SODIMM CARD SPEC.		
CHECKED	Tim	2017/02/23	PRODUCT NO.		
APPROVED	Ken	2017/02/23	FILE NAME 124-CARD_B_1		
	SCALE 1.25/1	SHEET 1/1	SIZE A4		

REV.	DESCRIPTION	DRAWN	DATE
1	INITIAL RELEASE	FROS	2019/06/10



### PACKAGING SPECIFICATION:

1. MATERIAL
  - 1.1 Embossed Carrier Tape: PS Black
  - 1.2 Top Cover Tape: PET  
20-80g(Peel Speed 300mm/Minute)
  - 1.3 Taping Reel: Plastic




Carton L\*W\*H=405\*405\*320

P/N	REEL	CARTON
124A-92A03	270PCS	810PCS
124A-92A13	270PCS	810PCS

UNLESS OTHERWISE SPECIFIED TOLERANCE

UNIT:	DECIMAL	LINEAR	ANGLES
mm	X.	±0.50	±5°
	X.X	±0.25	±3°
	X.XX	±0.12	±1°



www.attend.com.tw

DRAWN	Fros	2019/06/10	DRAWN NAME:	DDR4 SODIMM Socket, Horizontal 9.2H, G/F, Reel, Solder Latch
CHECKED	Tim	2019/06/10	PRODUCT NO.	SEE TABLE
APPROVED	Ken	2019/06/10	FILE NAME	124A-92AX3_D_1