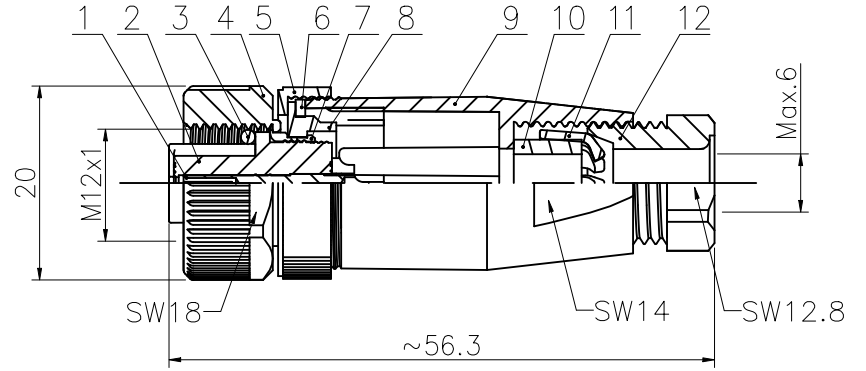
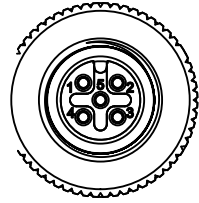
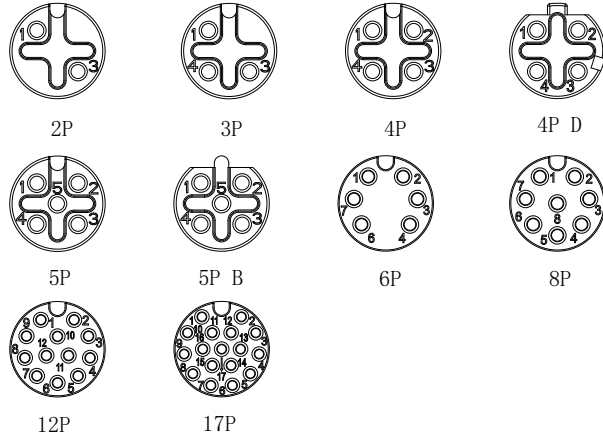


1		2		3		4		5		6	
No.	Specification			Unit	Q'ty	No.	Specification			Unit	Q'ty
1	Welded wire type female needle straight needle			pc	2~17	7	M12 female welded wire assembly trunk sleeve S-291			pc	1
2	M12 coded perforated rubber core with chamfer			pc	1	8	M12 female head welding wire assembly trunk set S-290			pc	1
3	Nitrile rubber $\phi 9 \times \phi 6 \times 1.5$ black			pc	1	9	M12 threaded assembly PG7 specification plastic housing			pc	1
4	M12 threaded female assembly with hexagonal S-253			pc	1	10	PG7M12 plastic assembly waterproof rubber plug			pc	1
5	M12 threaded body with plastic housing			pc	1	11	M12 plastic packaged tail claw PG7 specification white			pc	1
6	Waterproof gasket silicone rubber $\phi 17.2 \times \phi 13.6-1$ Black			pc	1	12	M12 threaded tail lock nut PG7 specification plastic housing			pc	1

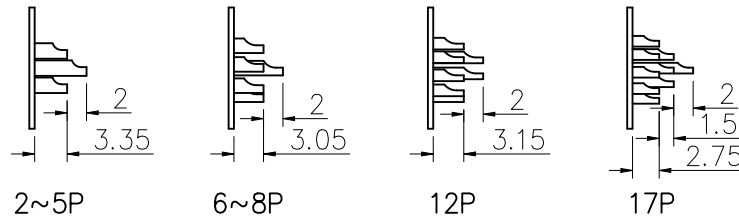
Core layout



Technical parameters

Connection type: screw joint
Mode of connection: Wire solder
Class of pollution: 3
Temperature range: $-40^{\circ}\text{C} \sim +80^{\circ}\text{C}$
Level of protection: IP67
Insertion and removal cycle: ≥ 500

A: Cup height



Number of cores	2	3	4	4D	5	5B	6	8	12	17
Rated current voltage	4A/250V	4A/250V	4A/250V	4A/250V	4A/60V	4A/60V	2A/30V	2A/30V	1.5A/30V	1.5A/30V
Rated pulse voltage	2500V	2500V	2500V	2500V	1500V	1500V	800V	800V	800V	800V
Insulation resistance(M Ω)	≥ 100	≥ 100	≥ 100	≥ 100	≥ 100	≥ 100	≥ 100	≥ 100	≥ 100	≥ 100
Contact resistance(m Ω)	≤ 5	≤ 5	≤ 5	≤ 5	≤ 5	≤ 5	≤ 5	≤ 5	≤ 5	≤ 5

GENERAL TOLERANCE (UNLESS SPECIFIED)	DWN	C.Z.H 2024.7.29				
≤ 10 ± 0.1	CHK					
$<10 \sim \leq 20$ ± 0.2	APVD				TITLE	M12 Straight pass plastic assembly plug welded cable PG7 outlet hole (screw-crimped housing)
$<20 \sim \leq 50$ ± 0.5		UNIT	MM	REV	A	PART NO
Angle $\pm 1^{\circ}$		SIZE	A4	SHEET	1 OF 1	DRAWING NO
		THIRD ANGLE				M12XXXFPSFWSC406002