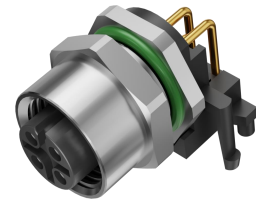
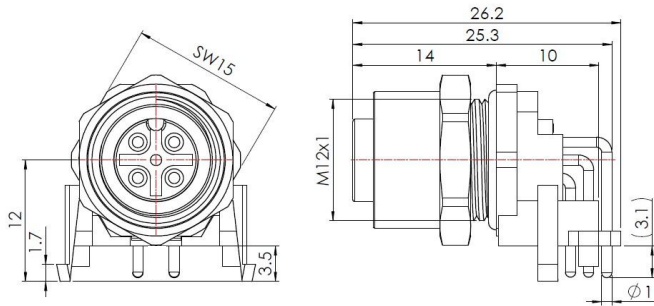


## Accessories for actuator/sensor receptacle – female with PCB 90°, rear-mounted



Typecode **M12A05FBRB2P9000**  
ID

### Technical Data\*

#### Connector A

Connector	M12, Female, A-Coding
Number of Pins	5-Pin
Contacts	Brass, Gold-plated
Flange housing	Brass, Nickel-plated
Contact Carriers	PA
Seal	NBR
Protection Class	IP67, Only in screwed condition
Mechanical lifespan	≥ 100 Mating cycles
Pollution degree	III
Locking mode	M12 x 1
Connection mode	PCB 90°
Screw-in thread	M12 x 1
Standard	RoHS

#### Electrical properties at +20 °C

Rated Voltage	60 V
Rated current	4 A
Rated impulse voltage	1500 V
Contact resistance	≤ 3 mΩ
Insulation resistance	≥ 100 MΩ

#### Mechanical and chemical properties

Ambient temperature range (stationary) -40 °C ... 85 °C

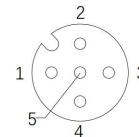
#### Commercial data

Weight	g
Country of origin	CN
Packaging unit	1 pc

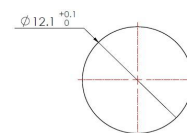
### Features

- M12, Female, 5-Pin
- Protection Class: IP67
- PCB solder contact
- RoHS-compliant

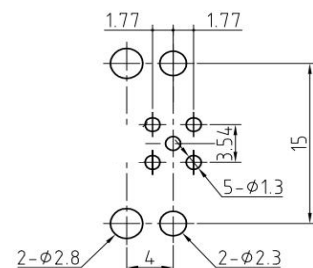
### Contact assignment



### Through bore



### PCB Layout



\* Please note that the data specified here were design data, and the parameters of product are subject to changes without prior notice. Matters not mentioned herein. Please contact customer service. Please also note that the user is responsible for validating functionality, conformity with applicable laws and directives, as well as for the electrical safety in the particular application.