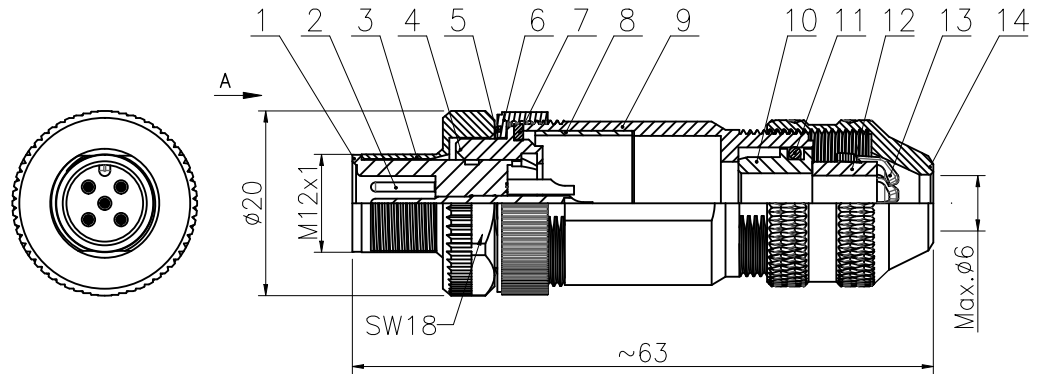
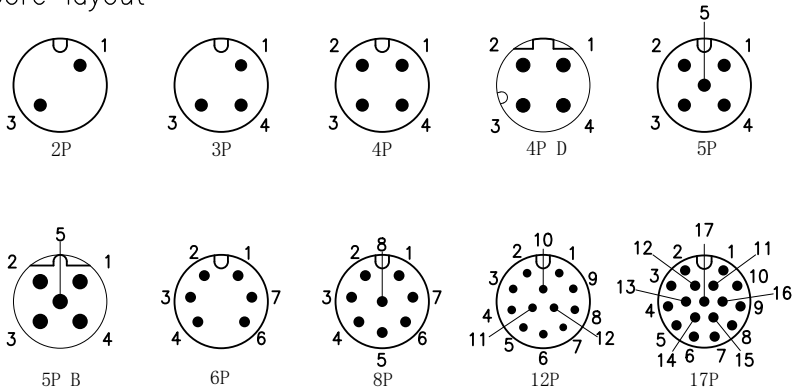
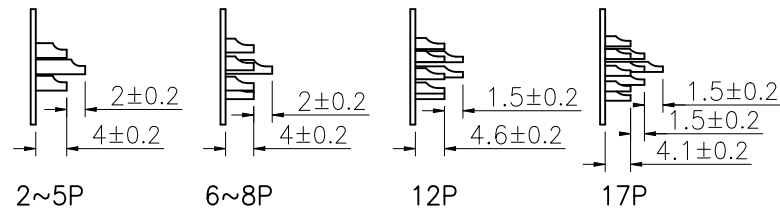


1		2		3		4		5		6	
No.	Specification			Unit	Q'ty	No.	Specification			Unit	Q'ty
1	M12 needle type plastic core long body			pc	1	8	M12 metal assembly lined with black S-320			pc	1
2	Welded wire type male needle straight needle			pc	2~17	9	M12 threaded body Metal assembly housing S-316			pc	1
3	M12 threaded screw male head assembly housing S-324			pc	1	10	M12 Metal Assembly Shield ring PG9 Specification Silver S-321			pc	1
4	M12 screw male head welding wire assembly trunk sleeve S-289			pc	1	11	Nitrile rubber $\phi 12 \times \phi 9 \times 1.5$ black			pc	1
5	Metal assembly corrugated gasket manganese steel silver			pc	1	12	PG9 Black M12 plastic assembled waterproof rubber plug			pc	1
6	M12 nut screw body connected to nut copper housing S-319			pc	1	13	M12 plastic packaged tail claw PG9 specification white			pc	1
7	M12 welded wire assembly type waterproof gasket			pc	1	14	M12 lock wire nut Metal assembly PG9 copper housing S-317			pc	1

Core layout



A: Cup height



Technical parameters	Materials
Connection type: screw joint	Canning material: zinc alloy/Brass, Nickelage
Mode of connection: Wire solder	Contact material: Brass, Gold plating
Class of pollution: 3	Insulator material: Reinforced nylon, Black
Temperature range: $-40^{\circ}\text{C} \sim +80^{\circ}\text{C}$	Sealing material: Silica gel/Rubber, Black
Level of protection: IP67	
Insertion and removal cycle: ≥ 500	

Number of cores	2	3	4	4D	5	5B	6	8	12	17
Rated current voltage	4A/250V	4A/250V	4A/250V	4A/250V	4A/60V	4A/60V	2A/30V	2A/30V	1.5A/30V	1.5A/30V
Rated pulse voltage	2500V	2500V	2500V	2500V	1500V	1500V	800V	800V	800V	800V
Insulation resistance(M Ω)	≥ 100	≥ 100	≥ 100	≥ 100	≥ 100	≥ 100	≥ 100	≥ 100	≥ 100	≥ 100
Contact resistance(m Ω)	≤ 5	≤ 5	≤ 5	≤ 5	≤ 5	≤ 5	≤ 5	≤ 5	≤ 5	≤ 5

GENERAL TOLERANCE (UNLESS SPECIFIED)	DWN	C.Z.H 2024.8.1				
≤ 10 ± 0.1	CHK	TITLE M12 straight pin metal assembly plug welding wire type PG9 Cable outlet hole (Screw crimped shell)				
$< 10 \sim \leq 20$ ± 0.2	APVD					
$< 20 \sim \leq 50$ ± 0.5		UNIT	MM	REV	A	PART NO
Angle $\pm 1^{\circ}$		SIZE	A4	SHEET	1 OF 1	DRAWING NO
 THIRD ANGLE		M12XXXMBSFWSC608002				