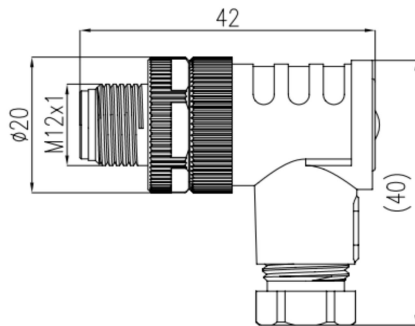


Field-wireable connector M12, A-coding, 5-pin, Male, Angle



Typecode **M12A05MPAFWSR406001**
 ID **1006030000015**



Technical Data*

Connector	
Connector A	Male, M12x1, Angle, A-coding
Number of pins	5-Pin
Contacts	Brass, Gold-plated
Contact carriers	PA66
Coupling nut/screw	Brass, Nickel-plated
Connector body	Plastics
External diameter of the cable	4.0-6.0 mm
Core cross-section/Clamping ability	0.20-0.75 mm ²
Connection mode	Screw terminal connection
Mechanical lifespan	≥ 100 Mating cycles
Pollution degree	III
Protection class	IP67, Only in screwed condition
Coupling mode	Screw
Standard	IEC 61076-2-101

Electrical properties at +25 °C	
Rated voltage	60 V
Rated current	4 A
Insulation resistance	≥ 100 MΩ
Contact resistance	≤ 5 mΩ
Test voltage	1500 V

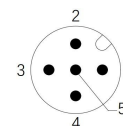
Mechanical and chemical properties	
Ambient temperature range (stationary)	-40 °C ... +85 °C

Commercial data	
Country of origin	CN
Packaging unit	1 pc

Features

- M12 A-coding, Male
- Plastics housing
- Protection class: IP67
- Screw terminal connection
- 5-Pin
- Cable feedthrough: 4.0-6.0 mm
- PG7
- RoHS-compliant

Contact assignment



* Please note that the data specified here were design data, and the parameters of product are subject to changes without prior notice. Matters not mentioned herein. Please contact customer service. Please also note that the user is responsible for validating functionality, conformity with applicable laws and directives, as well as for the electrical safety in the particular application.