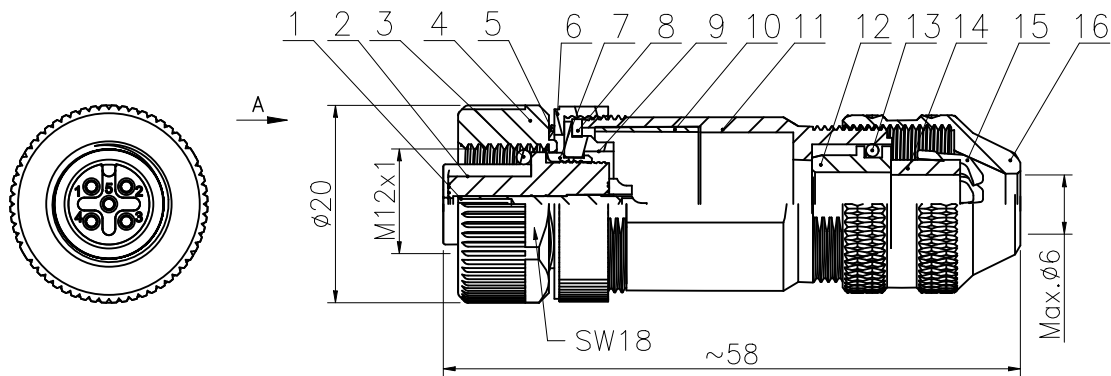
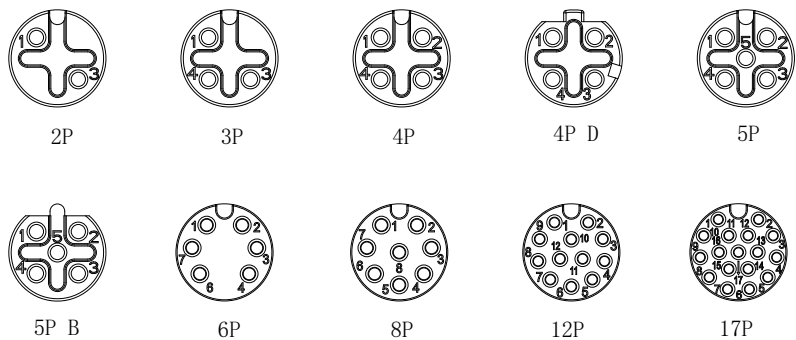
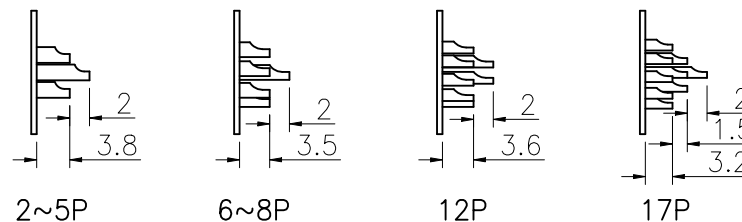


1		2		3		4		5		6	
No.	Specification	Unit	Q'ty	No.	Specification	Unit	Q'ty	No.	Specification	Unit	Q'ty
1	Welded wire type female needle straight needle	pc	2~17	9	M12 female head welded wire assembly main trunk sleeve S-290	pc	1				
2	M12 hole type rubber core short body with chamfer	pc	1	10	M12 metal assembly lined with black S-320	pc	1				
3	Nitrile rubber $\phi 9*\phi 6*1.5$ black	pc	1	11	M12 threaded body metal assembly S-316	pc	1				
4	M12 threaded nut female Assembly with hexagonal S-253	pc	1	12	M12 Metal Assembly Shield ring PG9 Specification Silver S-321	pc	1				
5	Metal assembly type corrugated gasket $\phi 16.5*\phi 15.3-0.3$	pc	1	13	Nitrile rubber $\phi 12*\phi 9*1.5$ black	pc	1				
6	M12 body connection nuts copper housing S-319	pc	1	14	PG9 Black M12 plastic assembled waterproof rubber plug	pc	1				
7	M12 female head welding wire assembly main trunk set S-291	pc	1	15	M12 plastic packaged tail claw PG9 specification white	pc	1				
8	$\phi 17.2*\phi 13.6-1$ M12 welding wire package waterproof gasket	pc	1	16	M12 Threaded tail lock nut PG9 specification S-317	pc	1				

Core layout



A: Cup height



Technical parameters	Materials
Connection type: screw joint	Canning material: zinc alloy/Brass, Nickelage
Mode of connection: Wire solder	Contact material: Brass, Gold plating
Class of pollution: 3	Insulator material: Reinforced nylon, Black
Temperature range: $-40^{\circ}\text{C} \sim +80^{\circ}\text{C}$	Sealing material: Silica gel/Rubber, Black
Level of protection: IP67	
Insertion and removal cycle: $\geq 500$	

	2	3	4	4D	5	5B	6	8	12	17
Number of cores	2	3	4	4D	5	5B	6	8	12	17
Rated current voltage	4A/250V	4A/250V	4A/250V	4A/250V	4A/60V	4A/60V	2A/30V	2A/30V	1.5A/30V	1.5A/30V
Rated pulse voltage	2500V	2500V	2500V	2500V	1500V	1500V	800V	800V	800V	800V
Insulation resistance(M $\Omega$ )	$\geq 100$	$\geq 100$	$\geq 100$	$\geq 100$	$\geq 100$	$\geq 100$	$\geq 100$	$\geq 100$	$\geq 100$	$\geq 100$
Contact resistance(m $\Omega$ )	$\leq 5$	$\leq 5$	$\leq 5$	$\leq 5$	$\leq 5$	$\leq 5$	$\leq 5$	$\leq 5$	$\leq 5$	$\leq 5$

GENERAL TOLERANCE (UNLESS SPECIFIED)		绘图 DWN		C.Z.H 2024.8.1			
$\leq 10$	$\pm 0.1$	确认 CHK					
$< 10 \sim \leq 20$	$\pm 0.2$	核准 APVD				品名 TITLE	M12 Straight pass metal assembly plug welded cable PG9 Outlet hole (screw-crimped housing)
$< 20 \sim \leq 50$	$\pm 0.5$	单位 UNIT		MM	版本 REV	品号 PART NO	
Angle	$\pm 1^{\circ}$	尺寸 SIZE		A4	页码 SHEET	型号 DRAWING NO	M12XXXFBFWSC608002
 视角 THIRD ANGLE				A	1 OF 1		