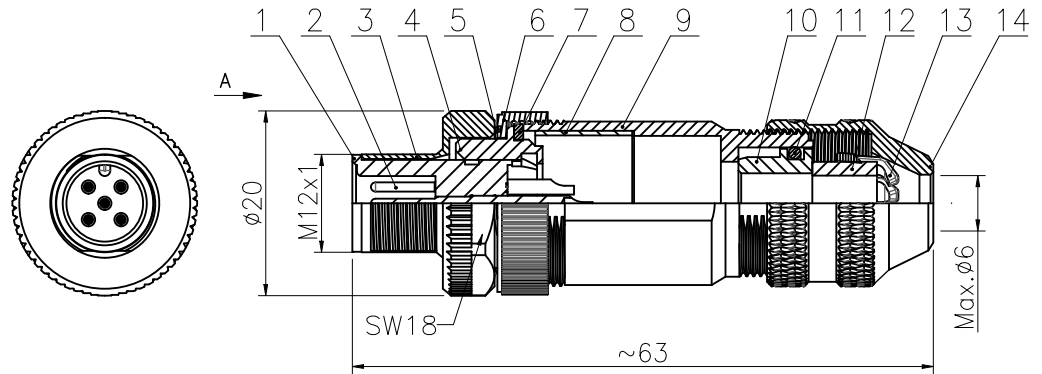
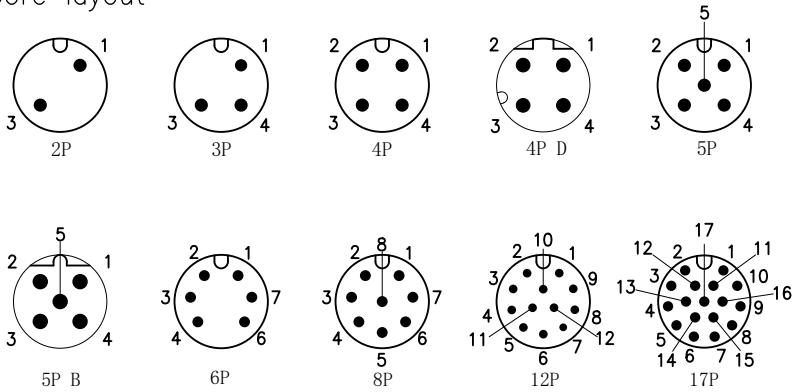
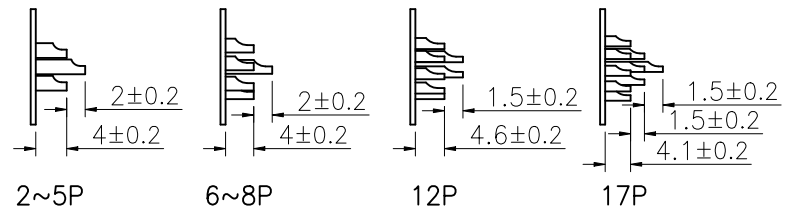


1		2		3		4		5		6			
No.	Specification				Unit	Q'ty	No.	Specification				Unit	Q'ty
1	M12 needle type plastic core long body				pc	1	8	M12 metal assembly lined with black S-320				pc	1
2	Welded wire type male needle straight needle				pc	2~17	9	M12 threaded body Metal assembly housing S-316				pc	1
3	M12 threaded screw male head assembly housing S-324				pc	1	10	M12 Metal Assembly Shield ring PG7 Specification Silver S-321				pc	1
4	M12 screw male head welding wire assembly trunk sleeve S-289				pc	1	11	Nitrile rubber $\phi 12 \times \phi 9 \times 1.5$ black				pc	1
5	Metal assembly corrugated gasket manganese steel silver				pc	1	12	PG7 Black M12 plastic assembled waterproof rubber plug				pc	1
6	M12 nut screw body connected to nut copper housing S-319				pc	1	13	M12 plastic packaged tail claw PG7 specification white				pc	1
7	M12 welded wire assembly type waterproof gasket				pc	1	14	M12 lock wire nut Metal assembly PG7 copper housing S-317				pc	1

Core layout



A: Cup height



C Technical parameters		Materials	
Connection type: screw joint		Canning material: zinc alloy/Brass, Nickelage	
Mode of connection: Wire solder		Contact material: Brass, Gold plating	
Class of pollution: 3		Insulator material: Reinforced nylon, Black	
Temperature range: $-40^{\circ}\text{C} \sim +80^{\circ}\text{C}$		Sealing material: Silica gel/Rubber, Black	
Level of protection: IP67			
Insertion and removal cycle: ≥ 500			

D	Number of cores	2	3	4	4D	5	5B	6	8	12	17
	Rated current voltage	4A/250V	4A/250V	4A/250V	4A/250V	4A/60V	4A/60V	2A/30V	2A/30V	1.5A/30V	1.5A/30V
Rated pulse voltage	2500V	2500V	2500V	2500V	1500V	1500V	800V	800V	800V	800V	
Insulation resistance($M\Omega$)	≥ 100	≥ 100	≥ 100	≥ 100	≥ 100	≥ 100	≥ 100	≥ 100	≥ 100	≥ 100	
Contact resistance($m\Omega$)	≤ 5	≤ 5	≤ 5	≤ 5	≤ 5	≤ 5	≤ 5	≤ 5	≤ 5	≤ 5	

GENERAL TOLERANCE (UNLESS SPECIFIED)	DWN	C.Z.H 2024.8.1			
≤ 10 ± 0.1	CHK				
$< 10 \sim \leq 20$ ± 0.2					
$< 20 \sim \leq 50$ ± 0.5	APVD	TITLE			
Angle $\pm 1^{\circ}$		M12 straight pin metal assembly plug welding wire type PG7 Cable outlet hole (Screw crimped shell)			
THIRD ANGLE	UNIT	MM	REV	A	PART NO
	SIZE	A4	SHEET	1 OF 1	DRAWING NO
					M12XXXMBSFWSC406002