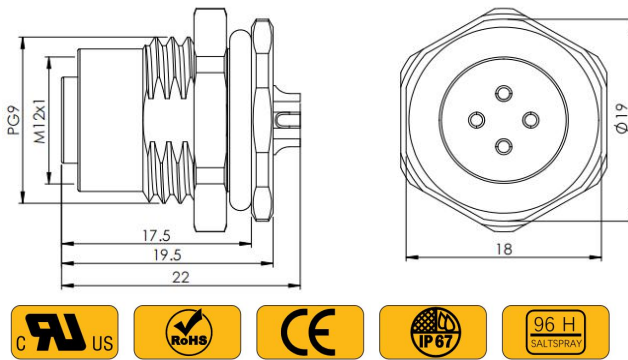


## Accessories for actuator/sensor receptacle – female flange with solder contacts, rear-mounted



Typecode M12D04FBRB9SC011  
ID 1006010000502

### Technical Data\*

Connector A	
Connector	M12, Female, D-Coding
Number of Pins	4-Pin
Contacts	Brass, Gold-plated
Flange housing	Brass, Nickel-plated
Mounting type	Rear-mounted
Contact Carriers	PA
Seal	FKM
Protection Class	IP67, Only in screwed condition
Mechanical lifespan	≥ 100 Mating cycles
Pollution degree	3
Screw-in thread	PG9
Connection mode	Solder contact
Wiring specification	22 AWG
Standard	IEC 61076-2-101

Electrical properties at +20 °C	
Rated Voltage	250 V
Rated current	4 A
Rated impulse voltage	2.5 kV
Contact resistance	≤ 3 mΩ
Insulation resistance	≥ 100 MΩ

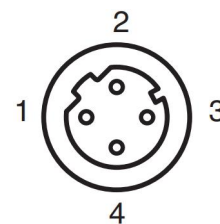
Mechanical and chemical properties	
Ambient temperature range (stationary)	-40 °C ... 120 °C

Commercial data	
Weight	g
Country of origin	CN
Packaging unit	1 pc

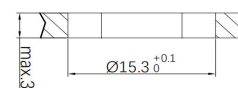
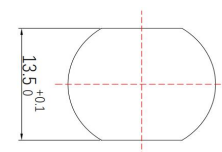
### Features

- M12, Female, 4-Pin
- Rear-mounted
- Protection Class: IP67
- RoHS-compliant
- Metal housing
- Solder contact

### Contact assignment



### Through bore



\* Please note that the data specified here were design data, and the parameters of product are subject to changes without prior notice. Matters not mentioned herein. Please contact customer service. Please also note that the user is responsible for validating functionality, conformity with applicable laws and directives, as well as for the electrical safety in the particular application.