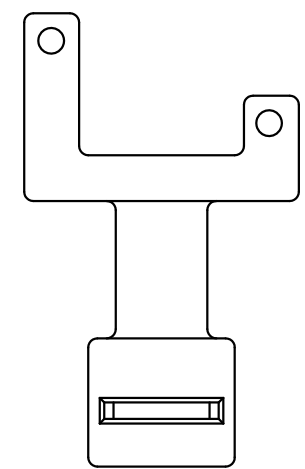
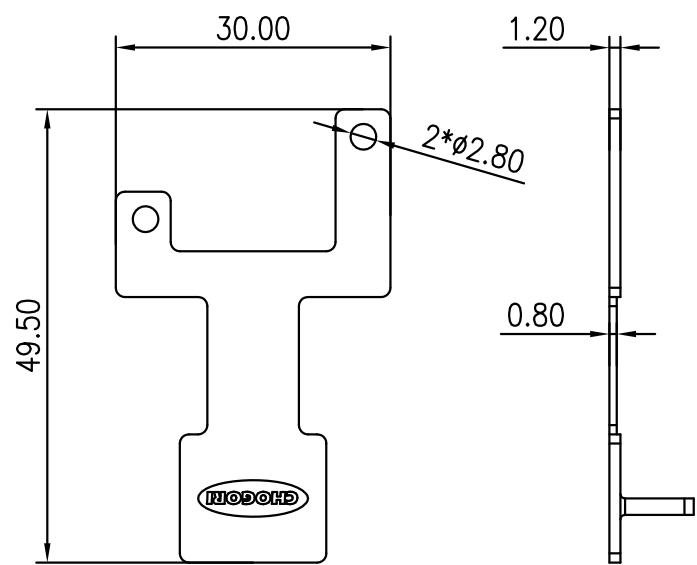
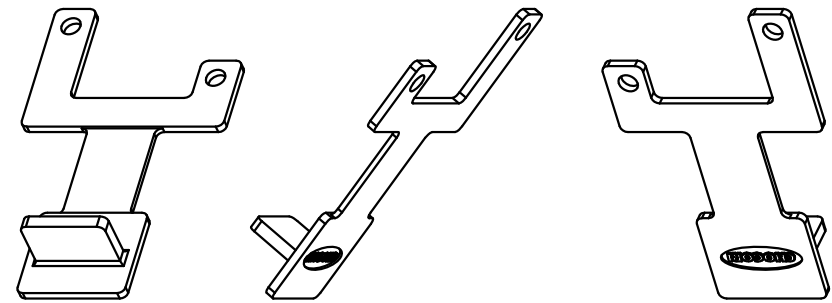
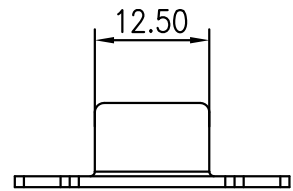


REV.	ECN NO.	DESCRIPTION	SIGN	DATE



- 技术要求:
1. 材料: 硅胶, 70度
  2. 颜色: 灰色
  3. 电气特性: 绝缘
  4. 绝缘阻抗: DC 500V, 5000M以上.
  5. 耐电压: AC 1000V At 1 Min
  6. 表面无明显批锋、毛刺等不良.
  7. 产品需符合ROHS要求.

UNIT:mm	
TOLERANCE	
.X	±0.25
.XX	±0.10
.XXX	±0.05
ANGLES	±1°

DESCRIPTION: <b>MUSB-防护盖</b>	
SCALE: N/A 2: 1	SHEET 1 OF 1
REV. D1	SIZE A4 * :Inspection Item

**CHOGORI**  
深圳乔合里科技有限公司

PART NO: 111-00060-00	DRAWN BY 蒋将	DATE 20140701
MATERIAL: 硅胶, 灰色	CHECKED BY	DATE
CUSTOMER:	APPROVED BY	DATE

THIS INFORMATION IS CONFIDENTIAL AND IS DISCLOSED TO YOU ON CONDITION THAT NO FURTHER DISCLOSURE IS MADE BY YOU TO OTHER THAN CHOGORI PERSONNEL WITHOUT AUTHORIZATION FROM CHOGORI CORP.