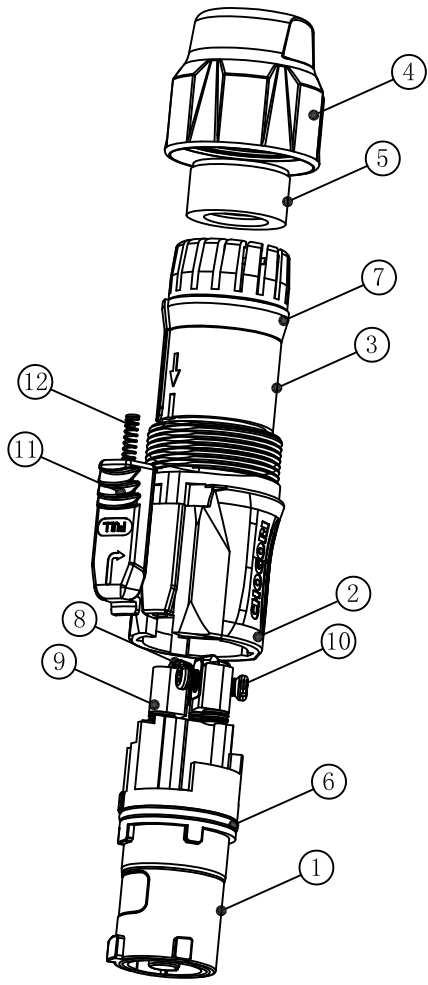
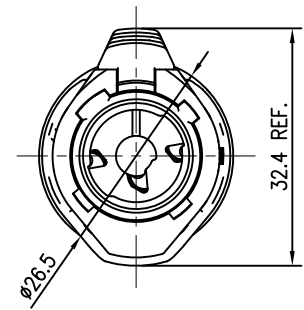
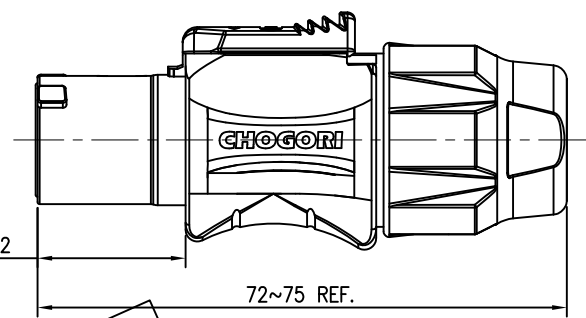
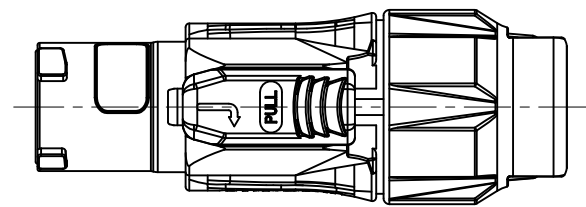
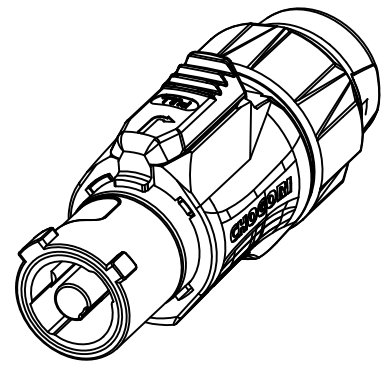


REV.	ECN NO.	DESCRIPTION	SIGN	DATE
D1	N/A	Initial Drawing	Leo.Pan	2014/12/03



THIS PRINT IS  
**PRELIMINARY**  
 UNQUALIFIED PRODUCT  
 DESIGN IS SUBJECT TO  
 CHANGE WITHOUT NOTICE

Specification:  
 1.Rated Voltage:250V  
 2.Rated Current:20A  
 3.Operation temperature: -40°C~80°C.  
 4.Insulation resistance:100MΩ at DC500V.  
 5.Contact resistance:<3mΩ.  
 6.Waterproof: IP65.

Material List				
No.	Material No.	Q'ty	Material Description	Remark
1	Housing	1	PA66 Blue	
2	Cover	1	PA66 Blue	
3	Octopussy	1	PA66 Black	
4	Nut	1	PA66 Blue	
5	Waterproof ring	1	Silicon Black	
6	Waterproof ring	1	Silicon Black	
7	Waterproof ring	1	Silicon Black	
8	Termination Press-ray	1	Brass	
9	Terminal	3	Brass	
10	Screw M3 * 7.00mm	1	Stainless Steel Black	
11	Switch	1	Nickel-plated zinc alloy	
12	Spring	1	Spring steel	

UNIT:mm		DESCRIPTION 3-pin power connector plug inputs (blue)	
TOLERANCE	±0.25 XX ±0.15 XXX ±0.05 ANGLES ±1°	SCALE. N/A	SHEET 1 OF 1
REV. D1	SIZE A4	* Inspection Item	



PART NO	16003131-01	DRAWN BY	Leo.pan	DATE	2014/12/03
DWG NO	-	CHECKED BY		DATE	
CUSTOMER	-	APPROVED BY		DATE	

THIS INFORMATION IS CONFIDENTIAL AND IS DISCLOSED TO YOU IN ACCORDANCE WITH THE TERMS AND CONDITIONS OF YOUR AGREEMENT WITH CHOGORI CORP. ANY UNAUTHORIZED DISCLOSURE OR USE OF THIS INFORMATION IS STRICTLY PROHIBITED.