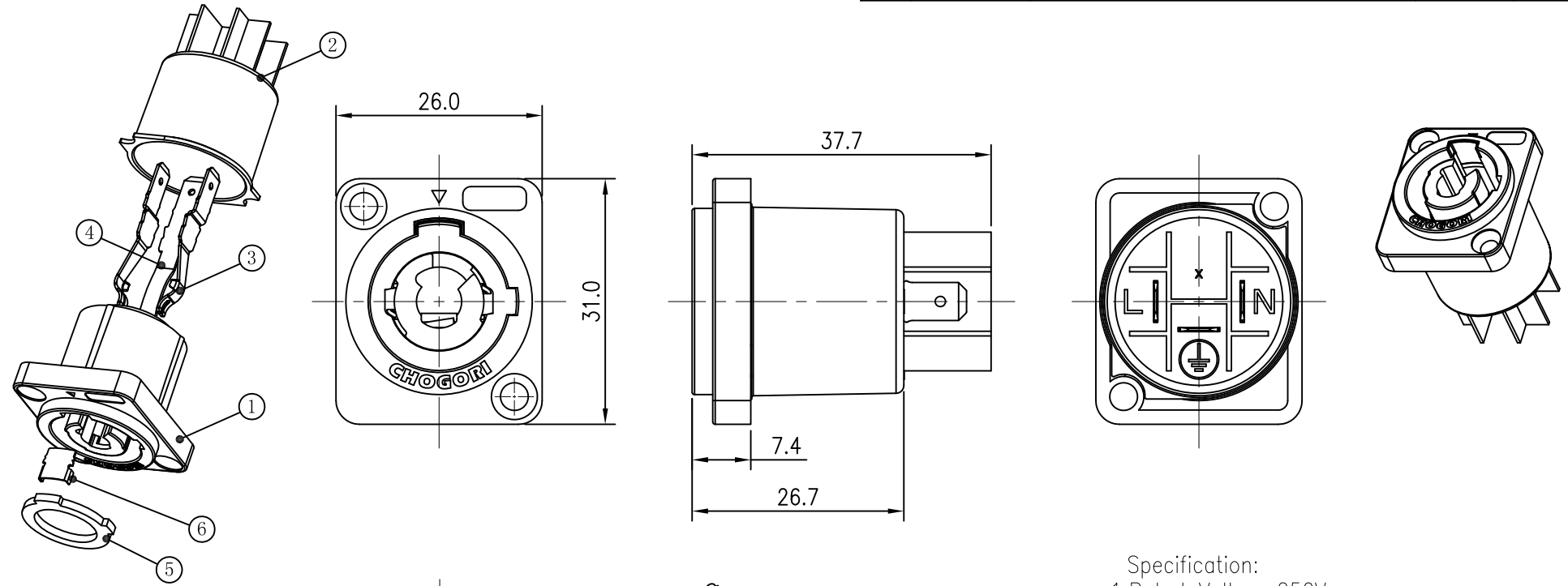


REV.	ECN NO.	DESCRIPTION	SIGN	DATE
D1	N/A	Initial Drawing	Leo.Pan	2014/07/11



- Specification:
1. Rated Voltage: 250V
 2. Rated Current: 20A
 3. Operation temperature: $-40^{\circ}\text{C} \sim 80^{\circ}\text{C}$.
 4. Insulation resistance: $100\text{M}\Omega$ at DC500V.
 5. Contact resistance: $< 3\text{m}\Omega$.
 6. Waterproof: IP65.

Material List				
No.	Material No.	Q'ty	Material Description	Remark
1	Housing	1	PA66 Grey	
2	Shell	1	PA66 Black	
3	L/N Terminal	2	Beryllium copper	
4	Ground terminal	1	Beryllium copper	
5	Waterproof gasket	1	Silicon Black	
6	Tabs	1	SUS Material	

THIS PRINT IS
PRELIMINARY
UNQUALIFIED PRODUCT
DESIGN IS SUBJECT TO
CHANGE WITHOUT NOTICE

UNIT:mm		DESCRIPTION: 3-pin power connector jack inputs (grey)
TOLERANCE	.X ±0.25 .XX ±0.15 .XXX ±0.05 ANGLES ±1°	SCALE: N/A SHEET 1 OF 1
REV. D1	SIZE A4	* Inspection Item



PART NO	16003631-02	DRAWN BY	Leo.Pan	DATE	2014/07/11
DWG NO	-	CHECKED BY		DATE	
CUSTOMER	-	APPROVED BY		DATE	

THIS INFORMATION IS CONFIDENTIAL AND IS DISCLOSED TO YOU IN ACCORDANCE WITH THE TERMS AND CONDITIONS OF YOUR PURCHASE AGREEMENT. IT IS NOT TO BE REPRODUCED, COPIED, OR DISTRIBUTED TO OTHERS WITHOUT THE WRITTEN PERMISSION OF CHOGORI CORP.