

THIS INFORMATION IS CONFIDENTIAL AND IS DISCLOSED TO YOU ON CONDITION THAT NO FURTHER DISCLOSURE IS MADE BY YOU TO OTHER THAN CHOGORI PERSONNEL WITHOUT AUTHORIZATION FROM CHOGORI CORP.

REV.	ECN NO.	DESCRIPTION	SIGN	DATE
D1	N/A	INITIAL DRAWING	Wu.Xi	2013/04/10

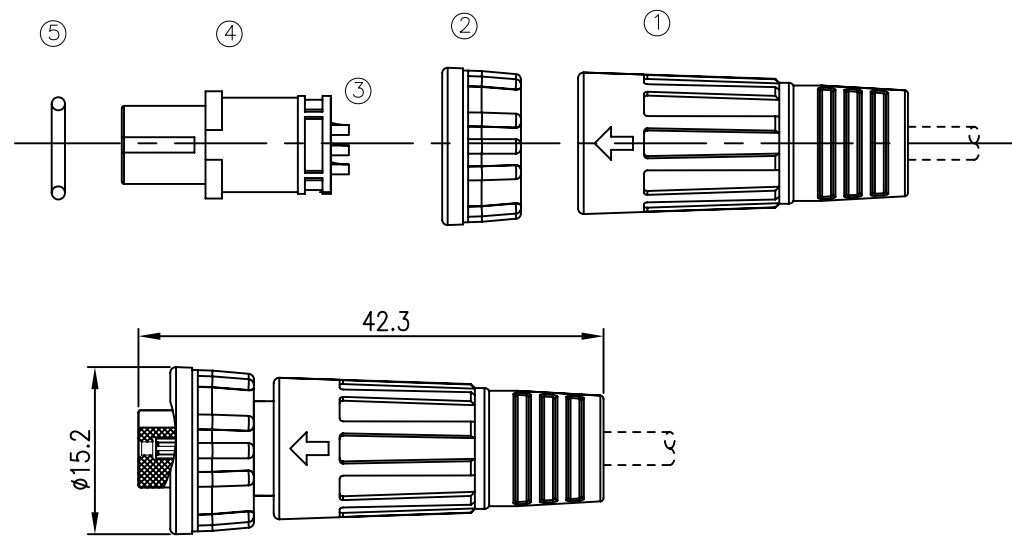
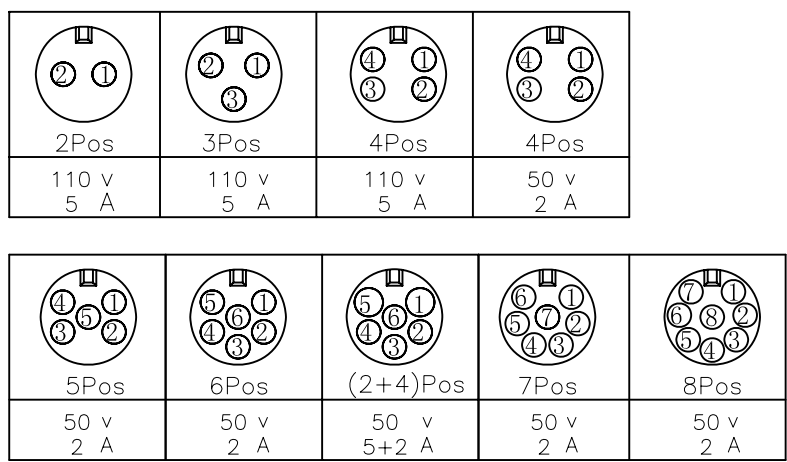


Table 1

Position No.	Connector Part No.	4 Housing Part No.	3 Contact		
			Contact Part No.	Q'ty	Contact Description
2	21002213-01-001	102-00141-00	302-00049-02	2	ZPS1.0
3	21003213-01-001	102-00145-00	302-00049-02	3	ZPS1.0
4	21004213-01-001	102-00148-00	302-00015-02	4	8ZS1.0
4	21004213-02-001	102-00147-00	302-00035-02	4	MZS0.8
5	21005213-01-001	102-00151-00	302-00035-02	5	MZS0.8
6	21006213-01-001	102-00153-00	302-00035-02	6	MZS0.8
2+4	21204213-01-001	102-00142-00	302-00015-02	2	8ZS1.0
			302-00035-02	4	MZS0.8
7	21007213-01-001	102-00155-00	302-00035-02	7	MZS0.8
8	21008213-01-001	102-00157-00	302-00035-02	8	MZS0.8

Table 2 (Hole Arrangement, Mating Face)



Specification:

- 1.Operation temperature:-45℃~105℃.
- 2.Insulation resistance:100MΩ at DC500V.
- 3.Contact resistance:<10mΩ.
- 4.Waterproof:IP67.
- 5.RoHS compliant.
- 6.Mating Waterproof Cap P/N:806-00057-00.
- 7.Mating Connector P/N:21XXX311-XX or 21XXX313-XX-001 or 21XXX515-XX.

Material List

No.	Material No.	Q'ty	Material Description	Remark
1	601-00002-00	1	TPU Material	
2	107-00007-00	1	Mini Screw Nut	
3	See above table 1		Contact	
4	See above table 1	1	Mini-XX Pos Housing	
5	501-00004-00	1	O-ring φ8*1.0	

UNIT:mm		Description
TOLERANCE	.X ±0.25 .XX ±0.15 .XXX ±0.05 ANGLES ±1°	Mini Series Screw Molding, Socket Male Connector
SCALE: N/A	SHEET 1 OF 1	
REV. D1	SIZE A4	* :Inspection Item

**CHOGORI**

PART NO 21XXX213-01(02)-001	DRAWN BY Wu.Xi	DATE 2013-04-10
DWG NO	CHECKED BY	DATE
CUSTOMER	APPROVED BY	DATE