

THIS INFORMATION IS CONFIDENTIAL AND IS DISCLOSED TO YOU ON CONDITION THAT NO FURTHER DISCLOSURE IS MADE BY YOU TO OTHER THAN CHOGORI PERSONNEL WITHOUT AUTHORIZATION FROM CHOGORI CORP.

REV.	ECN NO.	DESCRIPTION	SIGN	DATE
D1	N/A	INITIAL DRAWING	Wu.Xi	2013/04/10

Table 1

Position No.	Connector Part No.	3 Housing Part No.	2 Contact		
			Contact Part No.	Q'ty	Contact Description
2	21002413-01-001	104-00151-00	302-00015-02	2	8ZS1.0
3	21003413-01-001	104-00152-00	302-00015-02	3	8ZS1.0
4	21004413-01-001	104-00091-00	302-00015-02	4	8ZS1.0

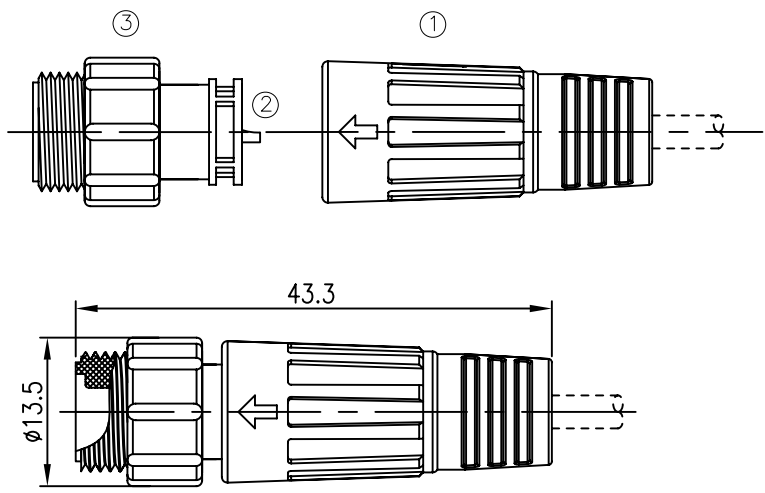


Table 2 (Hole Arrangement, Mating Face)

2Pos	3Pos	4Pos
110 v 5 A	110 v 5 A	110 v 5 A

Specification:

- 1.Operation temperature:-45℃~105℃.
- 2.Insulation resistance:100MΩ at DC500V.
- 3.Contact resistance:<10mΩ.
- 4.Waterproof:IP67.
- 5.RoHS compliant.
- 6.Mating Waterproof Cap P/N:806-00028-00.
- 7.Mating Connector P/N:21XXX211-XX or 21XXX213-XX-001 or 21XXX214-XX-001.

Material List

No.	Material No.	Q'ty	Material Description	Remark
1	601-00002-00	1	TPU Material	
2	See above table 1		Contact	
3	See above table 1	1	Mini-XX Pos Housing	

UNIT:mm

Description: Mini Series Screw Molding, Sockets Female Connector

TOLERANCE: .X ±0.25, .XX ±0.15, .XXX ±0.05, ANGLES ±1°

SCALE: N/A SHEET 1 OF 1

REV. D1 SIZE A4 :Inspection Item

**CHOGORI**

PART NO: 21XXX413-01-001 DRAWN BY: LIWEI DATE: 20131204

DWG NO: CHECKED BY: DATE:

CUSTOMER: APPROVED BY: DATE:

A B C D E F

1 2 3 4 5 6 7 8

1 2 3 4 5 6 7 8