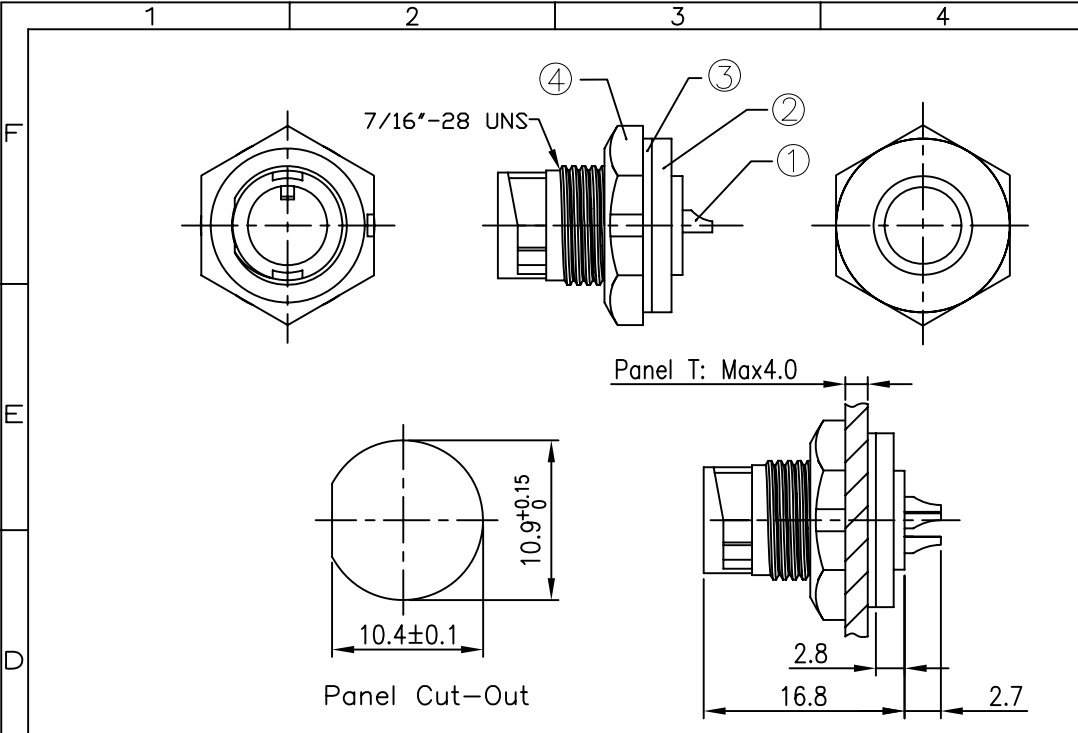


THIS INFORMATION IS CONFIDENTIAL AND IS DISCLOSED TO YOU ON CONDITION THAT NO FURTHER DISCLOSURE IS MADE BY YOU TO OTHER THAN CHOGORI PERSONNEL WITHOUT AUTHORIZATION FROM CHOGORI CORP.

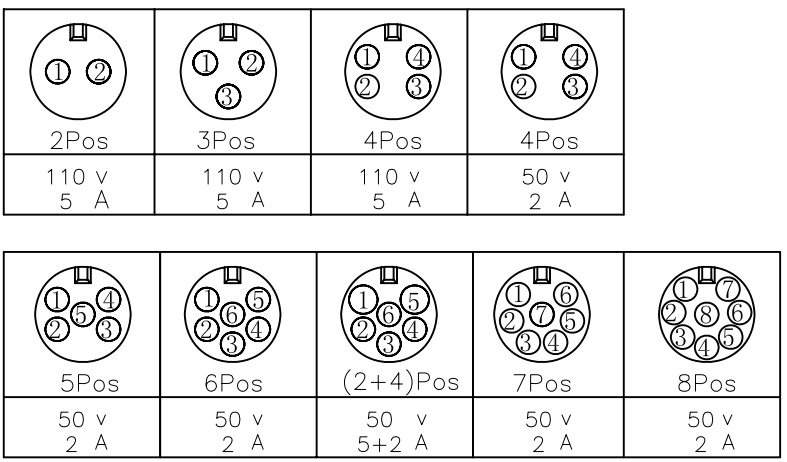


REV.	ECN NO.	DESCRIPTION	SIGN	DATE
D1	N/A	INITIAL DRAWING	Wu.Xi	2013/04/10

Table 1

Position No.	Connector Part No.	2 Housing Part No.	1 Contact		
			Contact Part No.	Q'ty	Contact Description
2	21002525-01	105-00033-00	301-00052-02	2	MZBPφ1.0
3	21003525-01	105-00038-00	301-00052-02	3	MZBPφ1.0
4	21004525-01	105-00046-00	301-00052-02	4	MZBPφ1.0
4	21004525-02	105-00044-00	301-00067-02	4	MZPφ0.8
5	21005525-01	105-00050-00	301-00067-02	5	MZPφ0.8
6	21006525-01	105-00054-00	301-00067-02	6	MZPφ0.8
2+4	21204525-01	105-00029-00	301-00052-02	2	MZBPφ1.0
			301-00067-02	4	MZPφ0.8
7	21007525-01	105-00058-00	301-00067-02	7	MZPφ0.8
8	21008525-01	105-00063-00	301-00067-02	8	MZPφ0.8

Table 2 (Hole Arrangement, Mating Face)



Specification:

- 1.Operation temperature: -45°C~105°C.
- 2.Insulation resistance: 100MΩ at DC500V.
- 3.Contact resistance: <10mΩ.
- 4.Waterproof: IP67.
- 5.RoHS compliant.
- 6.Mating Waterproof Cap P/N: 806-00027-00.
- 7.Mating Connector P/N: 21XXX221-XX or 21XXX223-XX-001 or 21XXX224-XX-001.

Material List

No.	Material No.	Q'ty	Material Description	Remark
1	See above table 1		Contact	
2	See above table 1	1	Mini-XX Pos Housing	
3	503-00010-00	1	Mini Gasket	
4	112-00012-00	1	Mini Panel Nut	

UNIT:mm		Description
TOLERANCE	.X ±0.25 .XX ±0.15 .XXX ±0.05 ANGLES ±1°	Mini Series Lock Type, Front Mount, Pin Solder
SCALE: N/A	SHEET 1 OF 1	
REV. D1	SIZE A4	* :Inspection Item

**CHOGORI**

PART NO	21XXX525-01(02)	DRAWN BY	Wu.Xi	DATE	2013-04-10
DWG NO		CHECKED BY		DATE	
CUSTOMER		APPROVED BY		DATE	