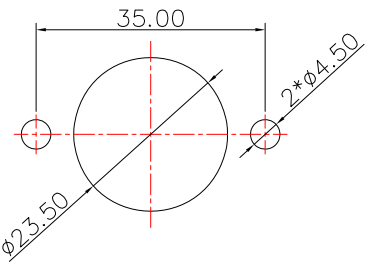
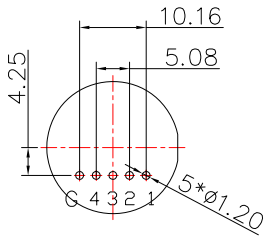


THIS INFORMATION IS CONFIDENTIAL AND IS DISCLOSED TO YOU ON CONDITION THAT NO FURTHER DISCLOSURE IS MADE BY YOU TO OTHER THAN CHOGORI PERSONNEL WITHOUT AUTHORIZATION FROM CHOGORI CORP.

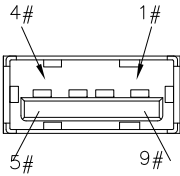
REV.	ECN NO.	DESCRIPTION	SIGN	DATE
C1	N/A	Initial Drawing	Robin	2022/06/10



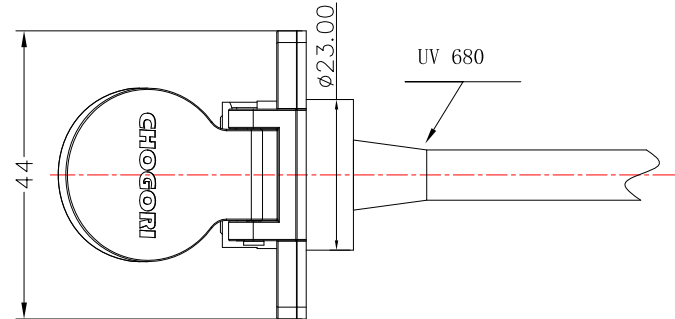
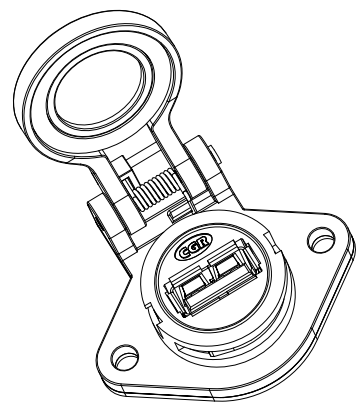
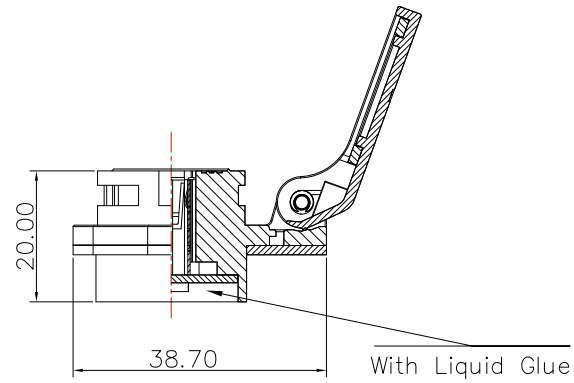
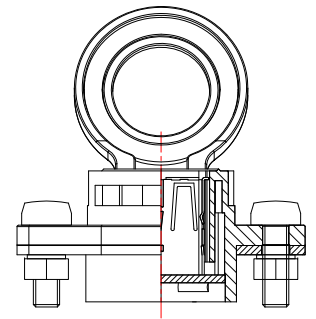
Panel Cut-Out



PCB Layout



Pin Assignments  
Front View



- Notes:
- 1).Current Rating:1PIN and 4PIN 1.5AMP at 5V
  - 2).Voltage Rating:30V
  - 3)Contact resistance: 50mΩ Max;
  - 4)Insulation Resistance:100MΩ Min.
  - 5)Dielectric Withstanding Voltage:500V AC
  - 6)OPERATING TEMPERATURE: -40°C ~ +85°C
  - 10).Waterproof: IP67 (Mated);
  - 11).RoHs Compliant;

UNIT: mm	
TOLERANCE	
.X	±0.35
.XX	±0.25
.XXX	±0.05
ANGLES	±1°

Description	
USB3.0 Female Rhombus Lock Bayonet Connector Base Wire Type	
SCALE: N/A	SHEET 1 OF 1
REV. C1	SIZE A4
* : Inspection Item	

**CHOGORI**<sup>®</sup>

深圳乔合里科技股份有限公司

PART NO	34000000-15	DRAWN BY	Robin	DATE	2012/06/10
DWG NO		CHECKED BY	Ivan	DATE	2012/06/10
CUSTOMER		APPROVED BY	Panson	DATE	2012/06/10