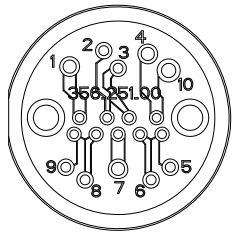
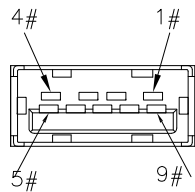


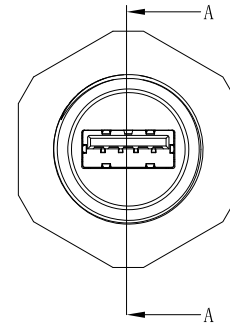
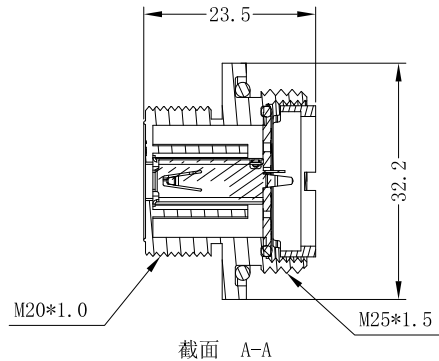
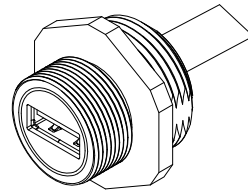
Panel Cut-Out



PCB Layout



Pin Assignments  
Front View



REV.	ECN NO.	DESCRIPTION	SIGN	DATE
C1	N/A	Initial Drawing	Robin	2022/06/10

Notes:

- 1).Current Rating:1PIN and 4PIN 1.5AMP at 5V
- 2).Voltage Rating: 30V
- 3)Contact resistance: 50mΩ Max;
- 4)Insulation Resistance:100MΩ Min.
- 5)Dielectric Withstanding Voltage:500V AC
- 6)OPERATING TEMPERATURE: -40°C ~ +85°C
- 10).Waterproof: IP67 (Mated);
- 11).RoHs Compliant;

UNIT: mm	
TOLERANCE	
.X	±0.35
.XX	±0.25
.XXX	±0.05
ANGLES	±1°

产品描述	
USB 3.0 Female Thread Metal Base Wire Type	
SCALE: N/A	SHEET 1 OF 1
REV. C1	SIZE A4
* :Inspection Item	

**CHOGORI**<sup>®</sup>  
深圳乔合里科技股份有限公司

PART NO	34000000-29	DRAWN BY	Robin	DATE	2012/06/10
DWG NO		CHECKED BY	Ivan	DATE	2012/06/10
CUSTOMER		APPROVED BY	Panson	DATE	2012/06/10

THIS INFORMATION IS CONFIDENTIAL AND IS DISCLOSED TO YOU ON CONDITION THAT NO FURTHER DISCLOSURE IS MADE BY YOU TO OTHER THAN CHOGORI PERSONNEL WITHOUT AUTHORIZATION FROM CHOGORI CORP.