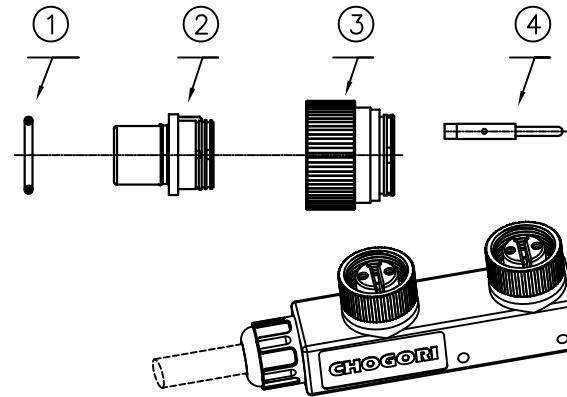
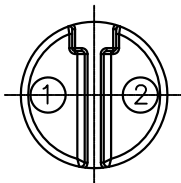


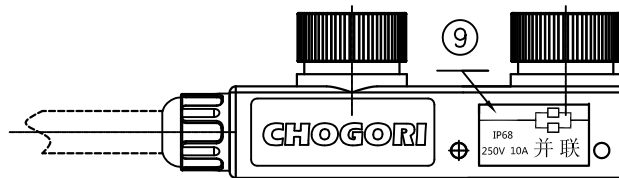
REV.	ECN NO.	DESCRIPTION	SIGN	DATE



- NOTE:
1. Connector: Nylon
  2. Pin: Brass 4u" Gold Plated
  3. Temperature Rating:  $-40^{\circ}\text{C} \sim +80^{\circ}\text{C}$ .
  4. Current Rating: 10A
  5. Breakdown Voltage: 2KV/1Minute Moist
  6. Insulation Resistance:  $10\text{M}\Omega, 500\text{VDC}$
  7. Contact Resistance:  $10\text{m}\Omega$
  8. Waterproof: IP68



2	Blue
1	Brown
Conn.	Wire Color



Material List				
No.	Material No.	Q'ty	Material Description	
1	501-00062-00	4	O-Ring $\Phi 13 \times \Phi 9, 0 \times \Phi 2, 0$	Silicon Gel
2	104-00145-00	4	Connector	2Pin, Nylon+GF
3	107-00036-00	4	Nut-02 (blue)	
4	801-00044-02	8	ZH1.5	Brass 4u" Gold Plated
5	903-00082-00	1	PCB 1*2, parallel	FR-4, 94-V0
6	601-00040-00		Molding, Nylon (black)	CHOGORI
7	502-00010-00	1	Gasket	
8	109-00004-00	1	103 Seals Nut	

Pin Assignments  
Front View 前视图

Pin Out

UNIT:mm	
TOLERANCE	
.X	$\pm 0.25$
.XX	$\pm 0.15$
.XXX	$\pm 0.05$
ANGLES	$\pm 1^{\circ}$

Description  
M15 Distributor 1\*2 InParellel

SCALE: N/A	SHEET 1 OF 1
REV. D1	SIZE A4
* :Inspection Item	

**CHOGORI**

PART NO	48002010-11	DRAWN BY	XuXianMing	DATE	20140514
DWG NO		CHECKED BY		DATE	
CUSTOMER		APPROVED BY		DATE	

THIS INFORMATION IS CONFIDENTIAL AND IS DISCLOSED TO YOU ON CONDITION THAT NO FURTHER DISCLOSURE IS MADE BY YOU TO OTHER THAN CHOGORI PERSONNEL WITHOUT AUTHORIZATION FROM CHOGORI CORP.