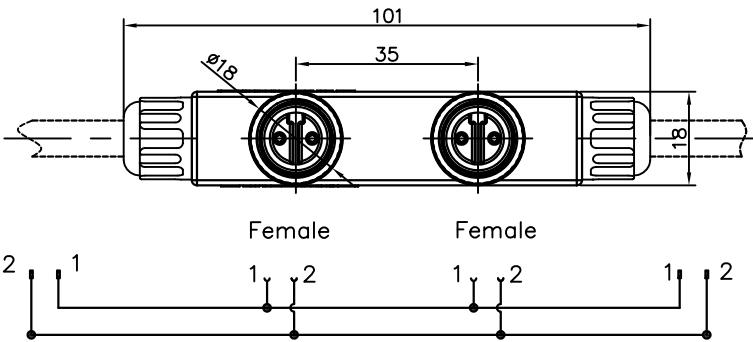
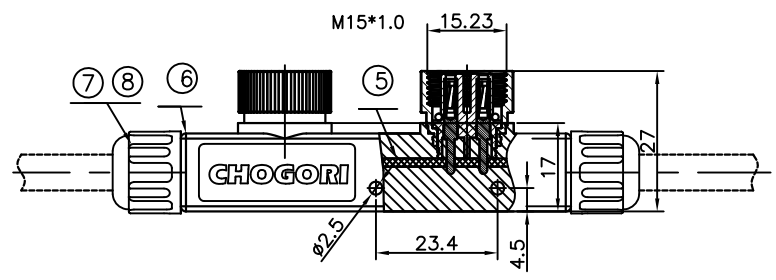
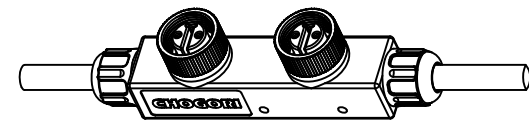
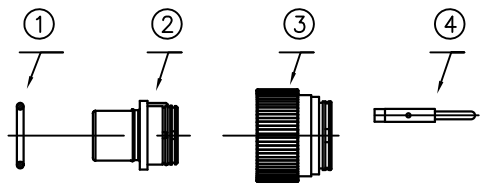
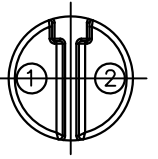


THIS INFORMATION IS CONFIDENTIAL AND IS DISCLOSED TO YOU ON CONDITION THAT NO FURTHER DISCLOSURE IS MADE BY YOU TO OTHER THAN CHOGORI PERSONNEL WITHOUT AUTHORIZATION FROM CHOGORI CORP.

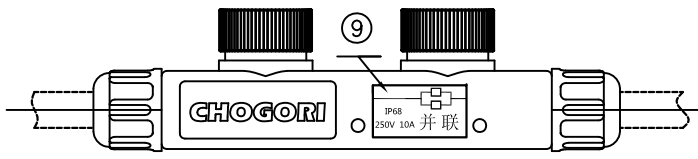
REV.	ECN NO.	DESCRIPTION	SIGN	DATE



- NOTE:
1. Connector: Nylon
 2. Pin: Brass 4u" Gold Plated
 3. Temperature Rating: $-40^{\circ}\text{C} \sim +80^{\circ}\text{C}$.
 4. Current Rating: 10A
 5. Breakdown Voltage: 2KV/1Minute Moist
 6. Insulation Resistance: $10\text{M}\Omega, 500\text{VDC}$
 7. Contact Resistance: $10\text{m}\Omega$
 8. Waterproof: IP68



2	Blue
1	Brown
Conn.	Wire Color



Material List			
No.	Material No.	Q'ty	Material Description
1	501-00062-00	2	O-Ring $\Phi 13 * \Phi 9.0 * \Phi 2.0$
2	104-00145-00	2	Connector
3	107-00036-00	2	Nut-02 (blue)
4	801-00044-02	4	Zn1.5
5	903-00088-00	1	PCB-02 1*2
6	601-00040-00		Molding, Nylon (black)
7	502-00010-00	2	Gasket
8	109-00004-00	2	103 Seals Nut

Pin Assignments
Front View 前視圖

Pin Out

UNIT:mm		Description	M15 Distributor 1*2 In Parallel-02
TOLERANCE		SCALE: N/A	SHEET 1 OF 1
.X	± 0.25	REV. D1	SIZE A4
.XX	± 0.15	* : Inspection Item	
.XXX	± 0.05		
ANGLES	$\pm 1^{\circ}$		

CHOGORI

PART NO	48002011-11	DRAWN BY	XuXianMing	DATE	20140514
DWG NO		CHECKED BY		DATE	
CUSTOMER		APPROVED BY		DATE	