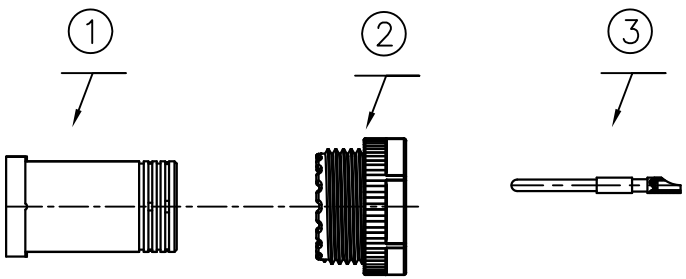
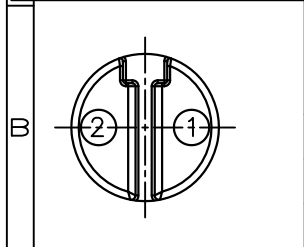
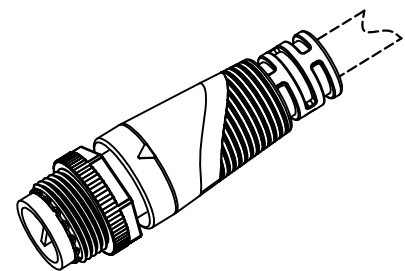
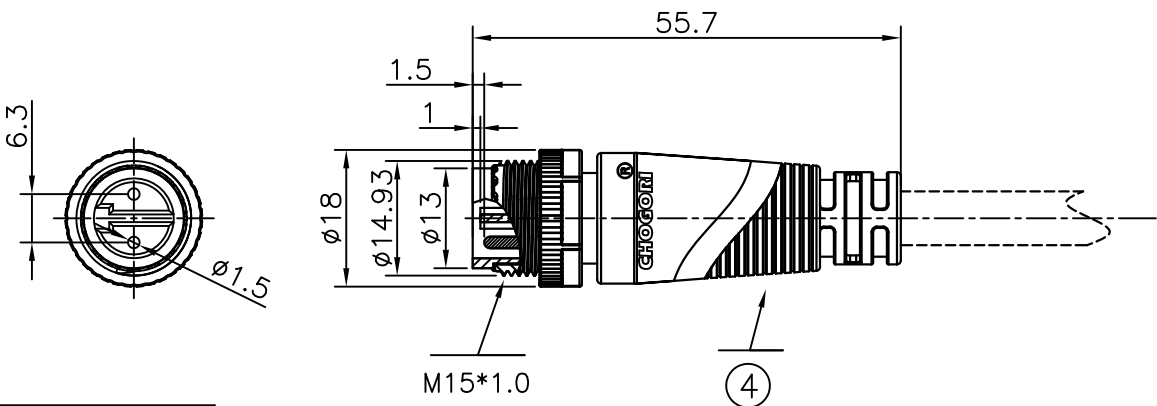


THIS INFORMATION IS CONFIDENTIAL AND IS DISCLOSED TO YOU ON CONDITION THAT NO FURTHER DISCLOSURE IS MADE BY YOU TO OTHER THAN CHOGORI PERSONNEL WITHOUT AUTHORIZATION FROM CHOGORI CORP.

5	6	7	8	
REV.	ECN NO.	DESCRIPTION	SIGN	DATE



NOTE:  
 1. Connector: Nylon  
 2. Pin: Brass 4u" Gold Plated  
 3. Temperature Rating: -40°C +80°C.  
 4. Current Rating: 10A  
 5. Breakdown Voltage: 2KV/1Minute Moist  
 6. Insulation Resistance: 10MΩ, 500VDC  
 7. Contact Resistance: 10mΩ  
 8. Waterproof: IP68



2	Blue
1	Brown
Conn.	Wire Color

Pin Assignments  
Front View 前视图

Pin Out

Material Description			
No.	Material No.	Q'ty	Material Description
1	101-00113-00	1	Connector 2Pin, Nylon+GF
2	107-00037-00	1	Nut (blue)
3	301-00015-02	2	TPΦ1.5 Brass 4u" Gold Plated
4	601-00032-00		Molding, PA66 201B (Black) CHOGORI

UNIT:mm		Description <b>M15 2Pos Pin Male Connector</b>	
TOLERANCE		SCALE: N/A	SHEET 1 OF 1
.X ±0.25		REV. D1	SIZE A4
.XX ±0.15		* :Inspection Item	
.XXX ±0.05			
ANGLES ±1°			

**CHOGORI**

PART NO	48002113-01-001	DRAWN BY	XuXianMing	DATE	20140514
DWG NO		CHECKED BY		DATE	
CUSTOMER		APPROVED BY		DATE	