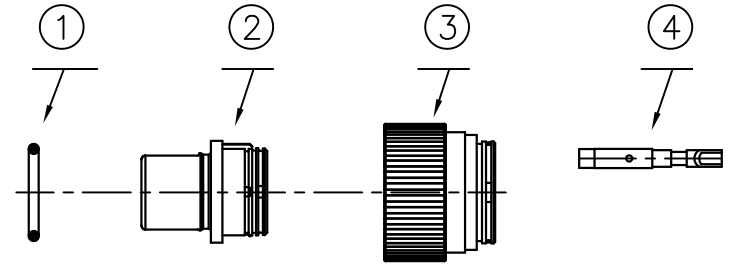
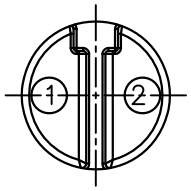
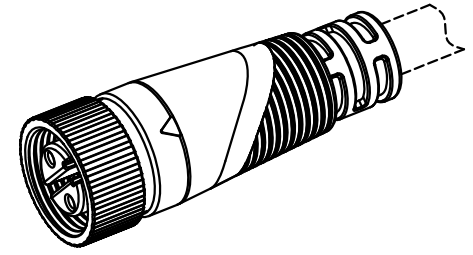
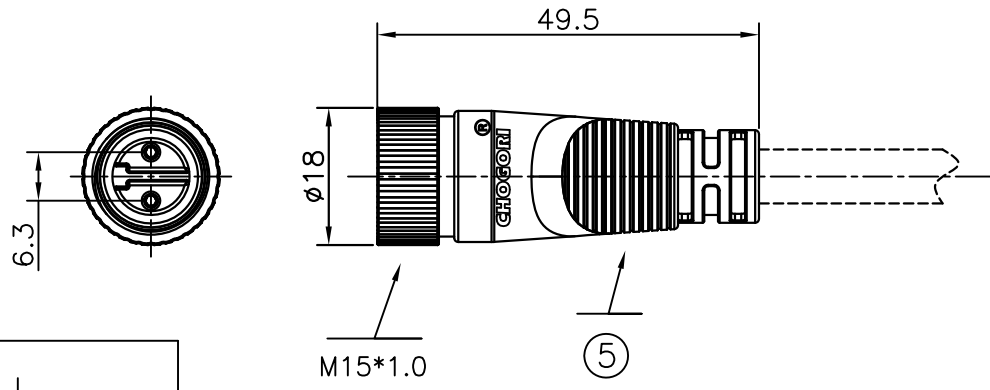


REV.	ECN NO.	DESCRIPTION	SIGN	DATE

THIS INFORMATION IS CONFIDENTIAL AND IS DISCLOSED TO YOU ON CONDITION THAT NO FURTHER DISCLOSURE IS MADE BY YOU TO OTHER THAN CHOGORI PERSONNEL WITHOUT AUTHORIZATION FROM CHOGORI CORP.



NOTE:
 1. Connector: Nylon
 2.Pin: Brass 4u" Gold Plated
 3.Temperature Rating:-40°C ~ +80°C.
 4.Current Rating:10A
 5.Breakdown Voltage:2KV/1Minute Moist
 6.Insulation Resistance:10MΩ,500VDC
 7.Contact Resistance:10mΩ
 8.Waterproof:IP68



2	Blue
1	Brown
Conn.	Wire Color

Pin Assignments
Front View 前視圖

Pin Out

Material List				
No.	Material No.	Q'ty	Material Description	
1	501-00062-00	1	O-Ring Φ13*Φ9.0*Φ2.0	Silicon Gel
2	104-00145-00	1	Connector	2Pin, Nylon+GF
3	107-00036-00	1	Nut-02 (blue)	
4	801-00043-02	2	XS1.5	Brass 4u" Gold Plated
5	601-00032-00		Molding, PA66 201B (Black)	CHOGORI

UNIT:mm		Description M15 2Pos Socket Female Connector	
TOLERANCE	.X ±0.25 .XX ±0.15 .XXX ±0.05 ANGLES ±1°	SCALE: N/A	SHEET 1 OF 1
REV. D1	SIZE A4	* :Inspection Item	



PART NO 48002413-01-001	DRAWN BY XuXianMing	DATE 20140514
DWG NO	CHECKED BY	DATE
CUSTOMER	APPROVED BY	DATE

A

F

E

D

C

B