



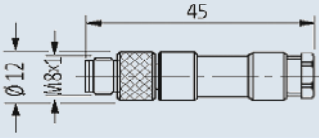
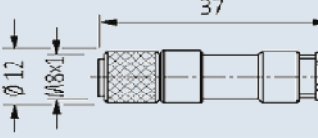
M8/M12 CONN SERIES

CHOGORI

M8 Series Specification

M8 Series, Field Installable

Description	Field Installable, 180° Male Pin Screw Type,Solder 	Field Installable, 180° Male Pin Screw Type,Solder 
-------------	--	---

Drawing		
---------	---	--

Part No.	Contacts	Part -Number
	3	52031101-01
	4	52041101-01



Specifications		
Number of Contacts	3	4
Wire Gauge	3X0.25mm ² (24AWG) / 3x0.34mm ² (22AWG)	4x0.25mm ² (24AWG) / 4x0.34mm ² (22AWG)
Voltage Rating	60V DC	30 V DC
Rated Current(40°C)	3 A	
Signal Per Port	1	2
Environmental Protection	IP65 and IP67 when plugged and screwed down (EN 60529)	
Mechanical Life	100 mating cycles	
OperatingTemperature	-20°C - 85°C, depending on cable quality	

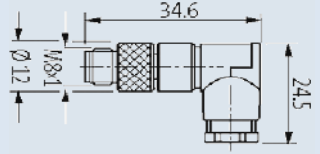
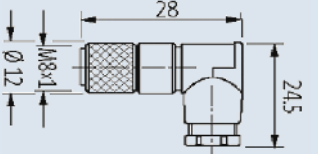
M8/M12 CONN SERIES

CHOGORI

M8 Series Specification

M8 Series, Field Installable

Description	Field Installable, 90° Male Pin Screw Type,Solder 	Field Installable, 90° Male Pin Screw Type,Solder 
-------------	---	--

Drawing		
---------	---	--

Part No.	Contacts	Part -Number
	3	52031102-01
	4	52041102-01

Specifications		
Number of Contacts	3	4
Wire Gauge	3X0.25mm ² (24AWG) / 3x0.34mm ² (22AWG)	4x0.25mm ² (24AWG) / 4x0.34mm ² (22AWG)
Voltage Rating	60V DC	30 V DC
Rated Current(40°C)	3 A	
Signal Per Port	1	2
Environmental Protection	IP65 and IP67 when plugged and screwed down (EN 60529)	
Mechanical Life	100 mating cycles	
OperatingTemperature	-20°C - 85°C, depending on cable quality	