

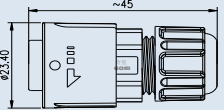
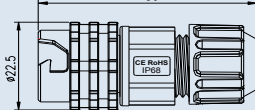
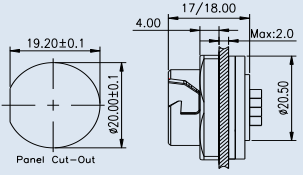
MIDDLE SERIES

CHOGORI

Middle Series Specifications

Middle Series , Metal system

Description	Field Installable, 180° Push Lock Type,Solder	Field Installable, 180° Push Lock Type,Solder	Front Panel Mount Push Lock Type,Solder
Figure			

Drawing			
---------	---	---	---

Part-No.	Field Installable, 180° Push Lock Type			Field Installable, 180° Push Lock Type			Front Panel Mount	
	Contacts	Cable Range(mm)	Part-Number	Contacts	Cable Range(mm)	Part-Number	Contacts	Part-Number
	2	3.5 - 6.5	23002231-81	2	3.5 - 6.5	23002331-81	2	23002535-81
		6.5 - 9.5	23002231-82		6.5 - 9.5	23002331-82		
	3	3.5 - 6.5	23003231-81	3	3.5 - 6.5	23003331-81	3	23003535-81
		6.5 - 9.5	23003231-82		6.5 - 9.5	23003331-82		
	4	3.5 - 6.5	23004231-81	4	3.5 - 6.5	23004331-81	4	23004535-81
		6.5 - 9.5	23004231-82		6.5 - 9.5	23004331-82		
	5	3.5 - 6.5	23005231-81	5	3.5 - 6.5	23005331-81	5	23005535-81
		6.5 - 9.5	23005231-82		6.5 - 9.5	23005331-82		
	6	3.5 - 6.5	23006231-81	6	3.5 - 6.5	23006331-81	6	23006535-81
		6.5 - 9.5	23006231-82		6.5 - 9.5	23006331-82		
	7	3.5 - 6.5	23007231-81	7	3.5 - 6.5	23007331-81	7	23007535-81
		6.5 - 9.5	23007231-82		6.5 - 9.5	23007331-82		
	8	3.5 - 6.5	23008231-81	8	3.5 - 6.5	23008331-81	8	23008535-81
		6.5 - 9.5	23008231-82		6.5 - 9.5	23008331-82		
	3+5	3.5 - 6.5	23305231-81	3+5	3.5 - 6.5	23305331-81	3+5	23305535-81
		6.5 - 9.5	23305231-82		6.5 - 9.5	23305331-82		
	9	3.5 - 6.5	23009231-81	9	3.5 - 6.5	23009231-81	9	23009535-81
		6.5 - 9.5	23009231-82		6.5 - 9.5	23009331-82		
	10	3.5 - 6.5	23010231-81	10	3.5 - 6.5	23010331-81	10	23010535-81
		6.5 - 9.5	23010231-82		6.5 - 9.5	23010331-82		
	12	3.5 - 6.5	23012231-81	12	3.5 - 6.5	23012331-81	12	23012535-81
		6.5 - 9.5	23012231-82		6.5 - 9.5	23012331-82		
	14	3.5 - 6.5	23014231-81	14	3.5 - 6.5	23014331-81	14	23014535-81
		6.5 - 9.5	23014231-82		6.5 - 9.5	23014331-82		
	18	3.5 - 6.5	23018231-81	18	3.5 - 6.5	23018331-81	18	23018535-81
		6.5 - 9.5	23018231-82		6.5 - 9.5	23018331-82		




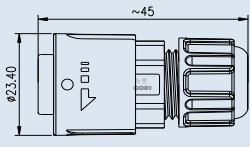
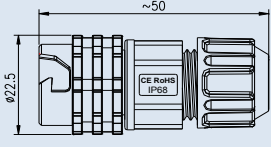
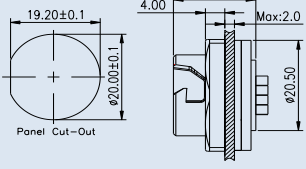
Specifications													
Number of Contacts	2	3	4	5	6	7	8	3+5	9	10	12	14	18
Wire Gauge	2.5mm ² (14AWG)		1.0mm ² (17AWG)	0.75mm ² (18AWG)	0.34mm ² (22AWG)		1.0mm ² +0.25mm ² (17AWG +24AWG)		0.34mm ² (22AWG)	0.25mm ² (24AWG)			
Cable Range / Panel Thickness	3.5mm - 6.5mm, 6.5mm - 9.5mm									Panel Thickness Max. 2.0mm			
Environmental Protection	IP67					IP67				IP67			
Mechanical Life	500 mating cycles												
Operating Temperature	- 45°C - 105°C												
Voltage Rating	300V	300V	300V	125V	125V	60V	60V	125+30V	60V	30V	30V	30V	30V
Rated Current(40°C)	20A	20A	15A	10A	10A	5A	5A	15A+2A	5A	5A	5A	5A	2A

MIDDLE SERIES

CHOGORI

Middle Series Specifications

Middle Series, Metal system

Description	Field Installable, 180° Push Lock Type, Solder	Field Installable, 180° Push Lock Type, Solder	Front Panel Mount Push Lock Type, Solder
Figure			
Drawing			

Part-No.	Field Installable, 180° Push Lock Type, Solder			Field Installable, 180° Push Lock Type, Solder			Front Panel Mount Push Lock Type, Solder	
	Contacts	Cable Range(mm)	Part-Number	Contacts	Cable Range(mm)	Part-Number	Contacts	Part-Number
	2	3.5 - 6.5	23002131-81	2	3.5 - 6.5	23002431-81	2	23002635-81
		6.5 - 9.5	23002131-82		6.5 - 9.5	23002431-82		
	3	3.5 - 6.5	23003131-81	3	3.5 - 6.5	23003431-81	3	23003635-81
		6.5 - 9.5	23003131-82		6.5 - 9.5	23003431-82		
	4	3.5 - 6.5	23004131-81	4	3.5 - 6.5	23004431-81	4	23004635-81
		6.5 - 9.5	23004131-82		6.5 - 9.5	23004431-82		
	5	3.5 - 6.5	23005131-81	5	3.5 - 6.5	23005431-81	5	23005635-81
		6.5 - 9.5	23005131-82		6.5 - 9.5	23005431-82		
	6	3.5 - 6.5	23006131-81	6	3.5 - 6.5	23006431-81	6	23006635-81
		6.5 - 9.5	23006131-82		6.5 - 9.5	23006431-82		
	7	3.5 - 6.5	23007131-81	7	3.5 - 6.5	23007431-81	7	23007635-81
		6.5 - 9.5	23007131-82		6.5 - 9.5	23007431-82		
	8	3.5 - 6.5	23008131-81	8	3.5 - 6.5	23008431-81	8	23008635-81
		6.5 - 9.5	23008131-82		6.5 - 9.5	23008431-82		
	3+5	3.5 - 6.5	23305131-81	3+5	3.5 - 6.5	23305431-81	3+5	23305635-81
		6.5 - 9.5	23305131-82		6.5 - 9.5	23305431-82		
	9	3.5 - 6.5	23009131-81	9	3.5 - 6.5	23009431-81	9	23009635-81
		6.5 - 9.5	23009131-82		6.5 - 9.5	23009431-82		
	10	3.5 - 6.5	23010131-81	10	3.5 - 6.5	23010431-81	10	23010635-81
		6.5 - 9.5	23010131-82		6.5 - 9.5	23010431-82		
	12	3.5 - 6.5	23012131-81	12	3.5 - 6.5	23012431-81	12	23012635-81
		6.5 - 9.5	23012131-82		6.5 - 9.5	23012431-82		
	14	3.5 - 6.5	23014131-81	14	3.5 - 6.5	23014431-81	14	23014635-81
		6.5 - 9.5	23014131-82		6.5 - 9.5	23014431-82		
	18	3.5 - 6.5	23018131-81	18	3.5 - 6.5	23018431-81	18	23018635-81
		6.5 - 9.5	23018131-82		6.5 - 9.5	23018431-82		

Specifications													
Number of Contacts	2	3	4	5	6	7	8	3+5	9	10	12	14	18
Wire Gauge	2.5mm ² (14AWG)		1.0mm ² (17AWG)	0.75mm ² (18AWG)		0.34mm ² (22AWG)		1.0mm ² +0.25mm ² (17AWG +24AWG)	0.34mm ² (22AWG)	0.25mm ² (24AWG)			
Cable Range / Panel Thickness	3.5mm - 6.5mm, 6.5mm - 9.5mm								Panel Thickness Max. 2.0mm				
Environmental Protection:	IP67					IP67			IP67				
Mechanical Life	500 mating cycles												
Operating Temperature	- 45°C - 105°C												
Voltage Rating	300V	300V	300V	125V	125V	60V	60V	125+30V	60V	30V	30V	30V	30V
Rated Current(40°C)	20A	20A	15A	10A	10A	5A	5A	15A+2A	5A	5A	2A	2A	2A