

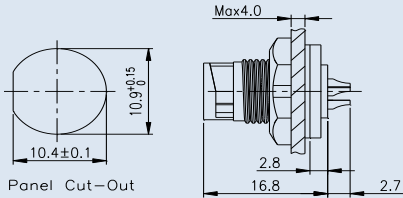
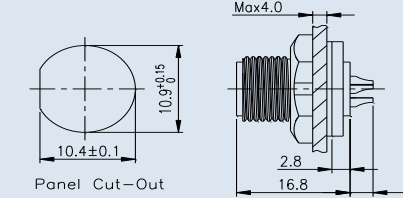


MINI SERIES

CHOGORI

MINI Series Specifications

Mini Series , Front Panel Mount & Male pin

Description	Front Panel Mount Lock Bayonet Type, Solder	Front Panel Mount Screw Type, Solder
Figure		
Drawing		

Part-No.	Contacts	Part-Number	Contacts	Part-Number
	2	21002525-01	2	21002515-01
	3	21003525-01	3	21003515-01
	4(5A)	21004525-01	4(5A)	21004515-01
	4(2A)	21004525-02	4(2A)	21004515-02
	5	21005525-01	5	21005515-01
	6	21006525-01	6	21006515-01
	2+4	21204525-01	2+4	21204515-01
	7	21007525-01	7	21007515-01
	8	21008525-01	8	21008515-01

Specifications



Number of Contacts	2	3	4	4	5	6	2+4	7	8
Wire Gauge	0.519mm ² (20AWG)				0.34mm ² (22AWG)				
Panel Thickness	Max. 4.0mm								
Environmental Protection	IP67/IP68								
Mechanical Life	500 mating cycles								
Operating Temperature	- 45°C - 105°C								
Voltage Rating	110V	110V	110V	110V	50V	50V	50V	50V	50V
Rated Current(40°C)	5A	5A	5A	2A	2A	2A	5+2A	2A	2A

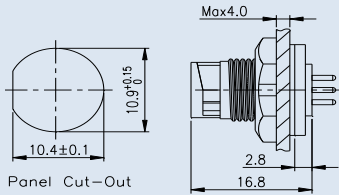
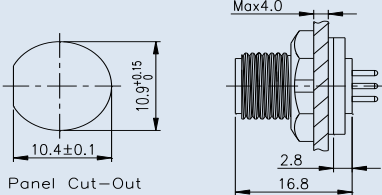
MINI SERIES

CHOGORI

MINI Series Specifications

Mini Series , Front Panel Mount & Male pin

Description	Front Panel Mount Lock Bayonet Type, PCB	Front Panel Mount Screw Type, PCB
Figure		

Drawing		
---------	---	--

Part-No.	Contacts	Part-Number	Contacts	Part-Number
	2	21002525-02	2	21002515-02
	3	21003525-02	3	21003515-02
	4(2A)	21004525-05	4(2A)	21004515-05
	4(5A)	21004525-06	4(5A)	21004515-06
	5	21005525-02	5	21005515-02
	6	21006525-02	6	21006515-02
	2+4	21204525-02	2+4	21204515-02
	7	21007525-02	7	21007515-02
	8	21008525-02	8	21008515-02



Specifications									
Number of Contacts	2	3	4	4	5	6	2+4	7	8
Wire Gauge	0.519mm ² (20AWG)				0.34mm ² (22AWG)				
Panel Thickness	Max. 4.0mm								
Environmental Protection	IP67/IP68								
Mechanical Life	500 mating cycles								
Operating Temperature	- 45°C - 105°C								
Voltage Rating	110V	110V	110V	110V	50V	50V	50V	50V	50V
Rated Current(40°C)	5A	5A	5A	2A	2A	2A	5+2A	2A	2A

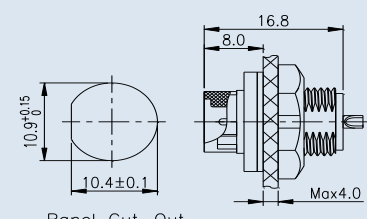
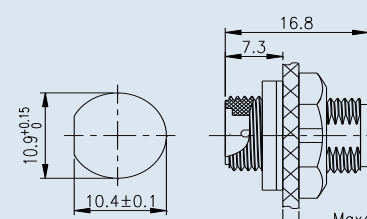
MINI SERIES





CHOGORI

MINI Series Specifications

Mini Series , Rear Panel Mount & Male pin

Description	Rear Panel Mount Lock Bayonet Type, Solder	Rear Panel Mount Screw Type, Solder
Figure		

Drawing	 <p>Panel Cut-Out</p>	 <p>Panel Cut-Out</p>
---------	--	---

Part-No.	Contacts	Part-Number	Contacts	Part-Number
	2	21002525-03 	2	21002515-03 
	3	21003525-03 	3	21003515-03 
	4(5A)	21004525-03	4(5A)	21004515-03
	4(2A)	21004525-04	4(2A)	21004515-04
	5	21005525-03	5	21005515-03
	6	21006525-03	6	21006515-03
	2+4	21204525-03	2+4	21204515-03
	7	21007525-03	7	21007515-03
	8	21008525-03	8	21008515-03

Specifications										
Number of Contacts	2	3	4	4	5	6	2+4	7	8	
Wire Gauge	0.519mm ² (20AWG)				0.34mm ² (22AWG)					
Panel Thickness	Max. 4.0mm									
Environmental Protection	IP67/IP68									
Mechanical Life	500 mating cycles									
Operating Temperature	- 45°C - 105°C									
Voltage Rating	110V	110V	110V	110V	50V	50V	50V	50V	50V	50V
Rated Current(40°C)	5A	5A	5A	2A	2A	2A	5+2A	2A	2A	2A