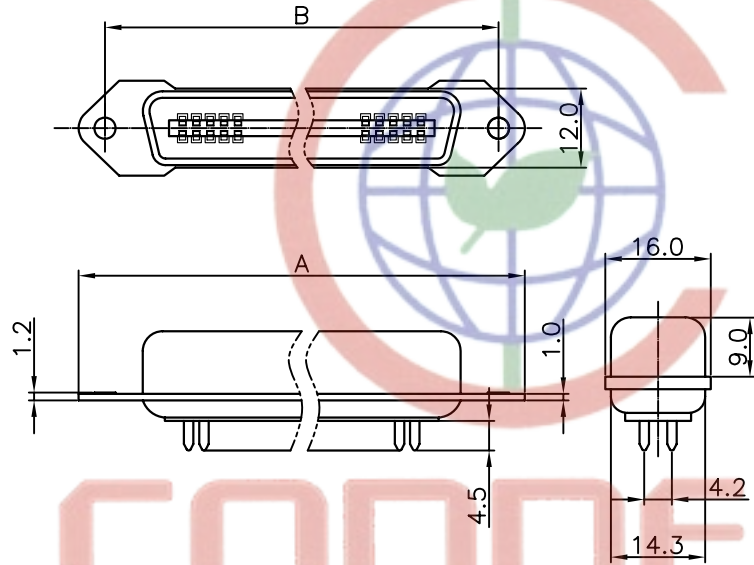


REV.	DESCRIPTION	DRAWN	CHECKED	APPROVED
A	NEW RELEASE	HP 14/06/05		

Male SERIES



Male dimensions

Positions	A	B
14	43.9	36.0
24	54.7	46.8
36	67.7	59.7
50	82.8	74.9

NOTES:

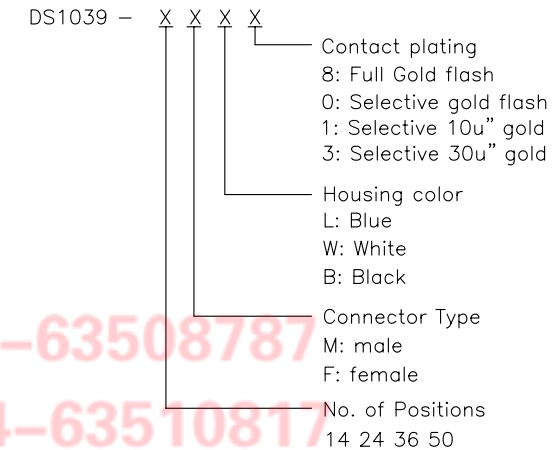
1. SPECIFICATION

- . Current rating: 3A.
- . Dielectric Strength: 500V For 1 minute
- . Insulation Resistance: 1000MΩ Min.at 500V DC
- . Contact resistance: 50mΩ max.
- . Temperature range: -40°C to +105°C

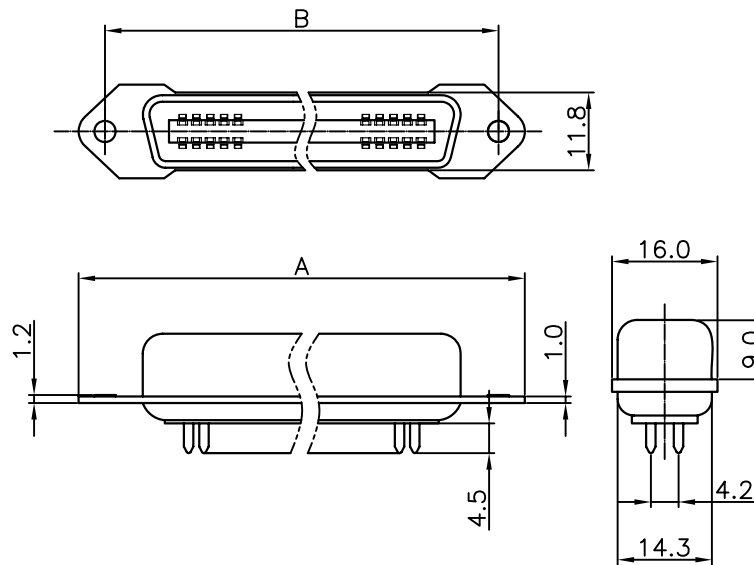
2. MATERIAL

- . Insulator: thermoplastic(UL 94V-0)
- . Contact: copper alloy
- . Shell: steel

3. PRODUCT NUMBER CODE:




Female SERIES



Female dimensions

Positions	A	B
14	43.9	36.0
24	54.7	46.8
36	67.7	59.7
50	82.8	74.9

GENERAL TOLERANCE	ANGLE TOLERANCE	PROJECTION	TITLE
X. ±0.60	X. ±5°	mm	CENTRONIC CONNECTOR P.C.B.STRALGHT
.X ±0.38	.X ±3°		
.XX ±0.25	.XX ±2°		
DRAWING TYPE	CUSTOMER	SHEET SIZE	SERIES DS1039
SCALE	1:1 SHEET 1 OF 1		
DRAWING NO.	C-DS1039-XXXXX		


晨翔电子有限公司
CONNFLY CONNFLY ELECTRONIC CO. LTD

Tel: 86-574-63508787
 Fax: 86-574-63510817
 Email: sale@zhenqin.com.cn
 Http://www.connfly.com