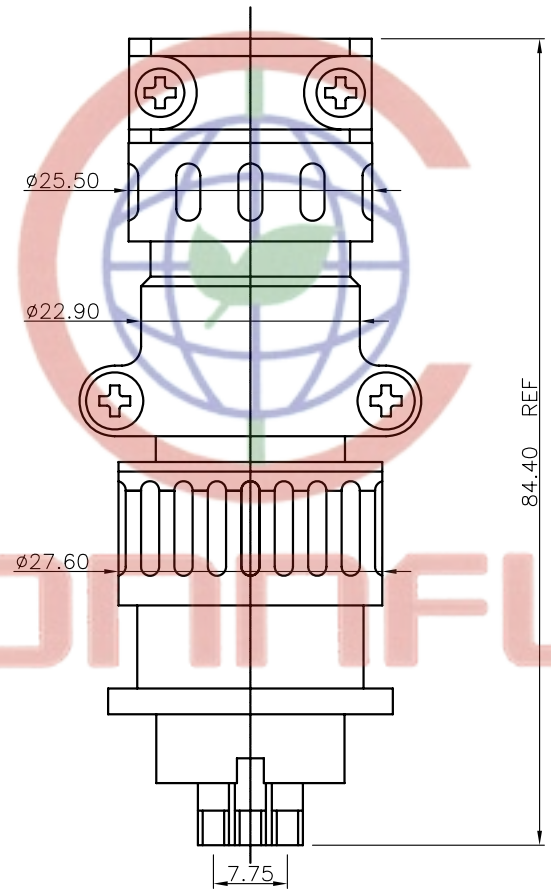
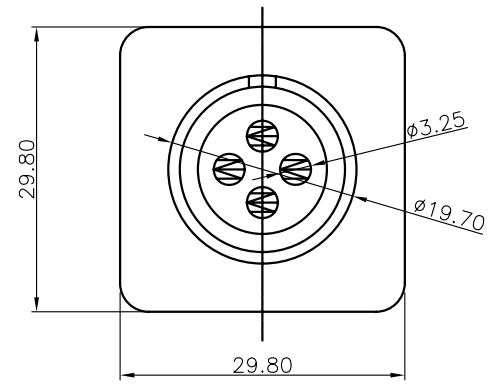
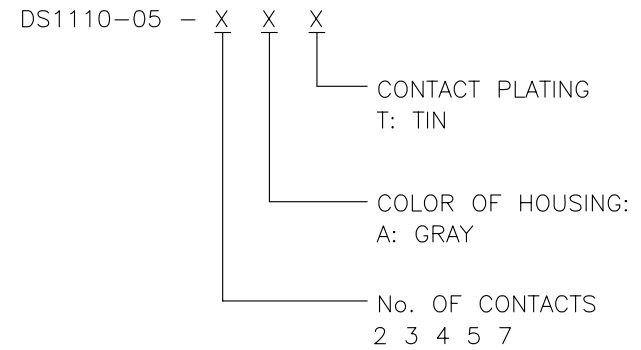


REV.	DESCRIPTION	DRAWN	CHECKED	APPROVED
A	NEW RELEASE	LL 09/05/06'		



NOTES:

- SPECIFICATION
  - CURRENT RATING: 5A Max.
  - DIELECTRIC WITH STANDING VOLTAGE: 500V(AC)
  - CONTACT RESISTANCE: 50mΩ Max.
  - INSULATION RESISTANCE: 1000MΩ(DC)Min
- PRODUCT NUMBER CODE:



Tel: 86-574-63508787  
Fax: 86-574-63510817

GENERAL TOLERANCE		ANGLE TOLERANCE		PROJECTION		TITLE
X.	±0.60	X.	±5°	UNITS	mm	MICRO JACK CONNECTOR
.X	±0.38	.X	±3°	SHEET SIZE	A4	SERIES DS1110-05 SERIES
.XX	±0.25	.XX	±2°			
DRAWING TYPE	CUSTOMER					
SCALE	1:1	SHEET	1 OF 1			
DRAWING NO.	C-DS1110-05-XXX					

**晨翔电子有限公司**  
**CONNFLY CONNFLY ELECTRONIC CO. LTD**