

REV.	DESCRIPTION	DRAWN	CHECKED	APPROVED
A	NEW RELEASE	YCH 08/17/07'	~	

NOTES:

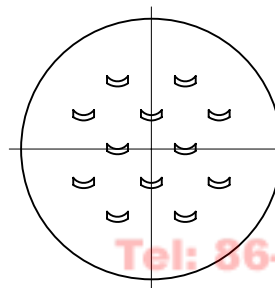
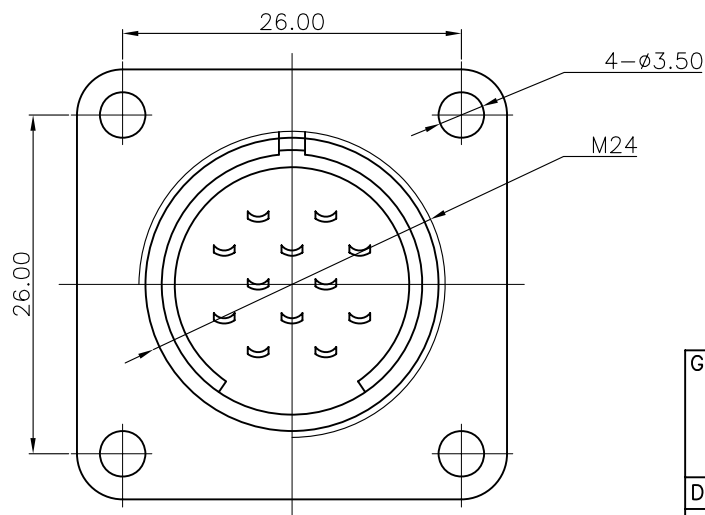
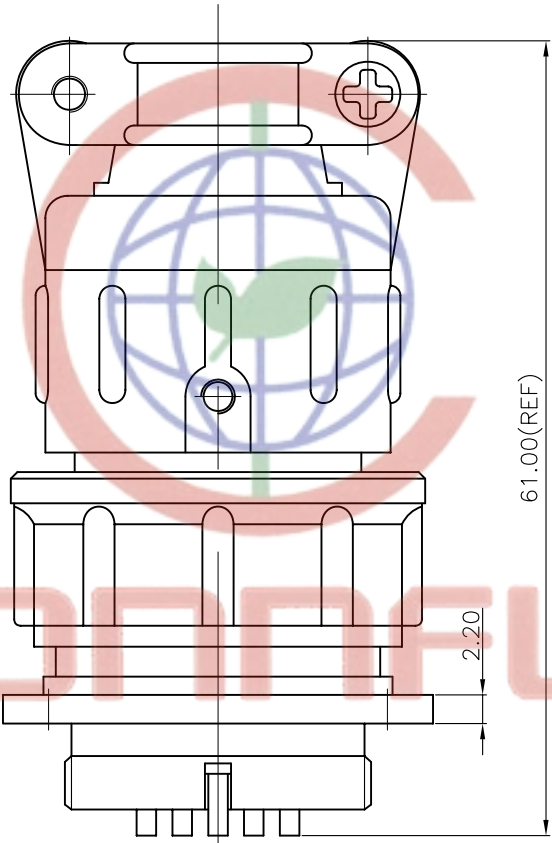
1.SPECIFICATION

- .CURRENT RATING: 5A Max.
- .DIELECTRIC WITH STANDING VOLTAGE: 500V(AC)
- .CONTACT RESISTANCE: 100mΩ Max.
- .INSULATION RESISTANCE: 1000MΩ(DC)Min.

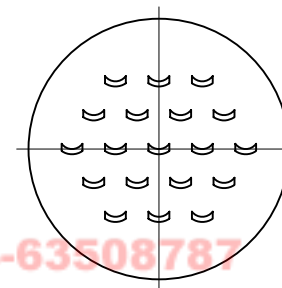
2.PRODUCT NUMBER CODE:

DS1110-07 - X X X X

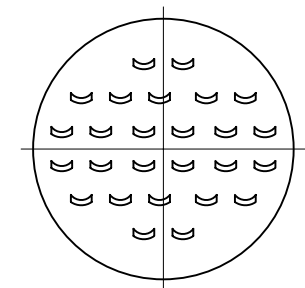
- X SHELL SURFACE FINISHED
- P:SPRAY THE PAINT (GRAY)
- CONTACT PLATING
- Y: SILVER
- COLOR OF HOUSING:
- L: BLUE
- No. OF CONTACTS
- 12: 12pin
- 19: 19pin
- 26: 26pin



12pin



19pin



26pin

GENERAL TOLERANCE		ANGLE TOLERANCE		PROJECTION		TITLE
X.	±0.60	X.	±5°	UNITS	mm	MICRO JACK CONNECTOR
.X	±0.38	.X	±3°	SHEET SIZE	A4	SERIES DS1110-07 SERIES
.XX	±0.25	.XX	±2°			
DRAWING TYPE	CUSTOMER					
SCALE	1:1	SHEET	1 OF 1			
DRAWING NO.	C-DS1110-07-XXX					



晨翔电子有限公司

CONNFLY CONNFLY ELECTRONIC CO. LTD

Tel: 86-574-63508787  
 Fax: 86-574-63510817