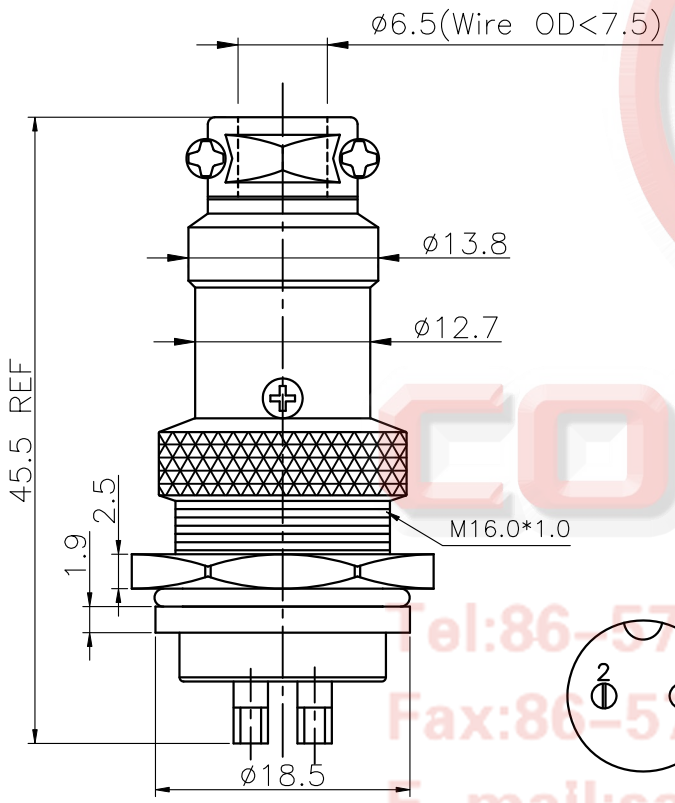


REV.	DESCRIPTION	DRAWN	CHECKED	APPROVED
A	NEW RELEASE	JLZ 05/20/17'		

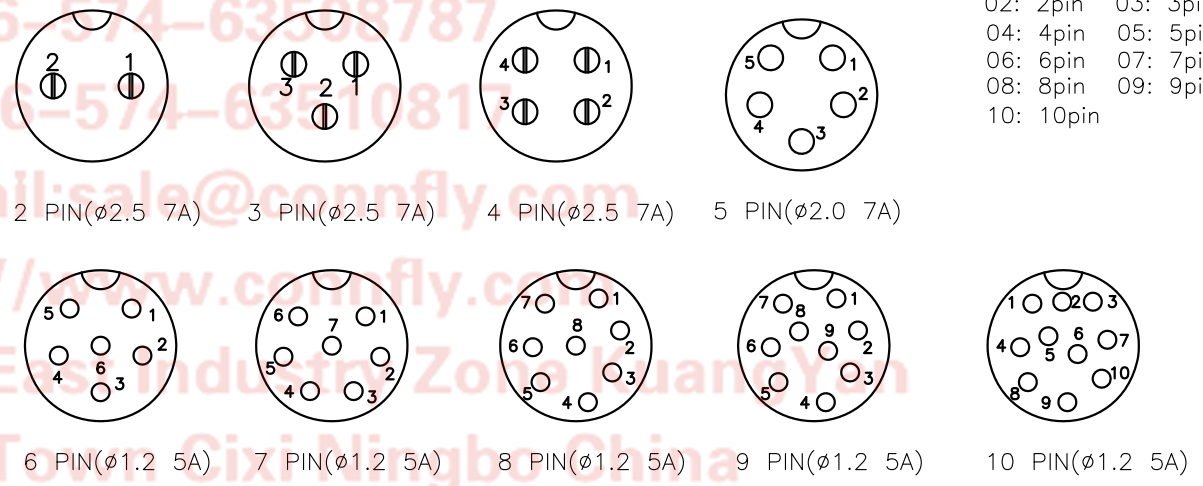


NOTES:

- SPECIFICATION
 - CURRENT RATING: 5A~7A.
 - DIELECTRIC WITH STANDING VOLTAGE: 1000V(AC)
 - CONTACT RESISTANCE: 20mΩ Max.
 - INSULATION RESISTANCE: 1000MΩ(DC)Min
- PRODUCT NUMBER CODE:

DS1110-17 - X X X X

- SHELL SURFACE FINISHED
N: Nickel
- CONTACT PLATING
6: Tin
- COLOR OF HOUSING:
B: Black
- No. OF CONTACTS
02: 2pin 03: 3pin
04: 4pin 05: 5pin
06: 6pin 07: 7pin
08: 8pin 09: 9pin
10: 10pin



GENERAL TOLERANCE		ANGLE TOLERANCE		PROJECTION		TITLE	Micro Jack Total Length=45.5mm Ref (Pin $\phi 1.2 \sim 2.5$) Threaded Type
X.	± 0.60	X.	$\pm 5^\circ$	UNITS	mm		
.X	± 0.38	.X	$\pm 3^\circ$	SHEET SIZE	A4	SERIES	DS1110-17 SERIES
.XX	± 0.25	.XX	$\pm 2^\circ$	晨翔电子有限公司 CONNFLY CONNFLY ELECTRONIC CO. LTD			
DRAWING TYPE		CUSTOMER					
SCALE	1:1	SHEET	1 OF 1				
DRAWING NO.		C-DS1110-17-XXXX-A					