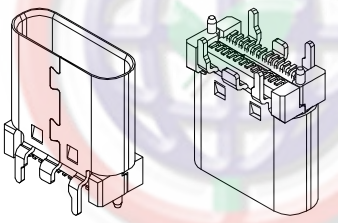
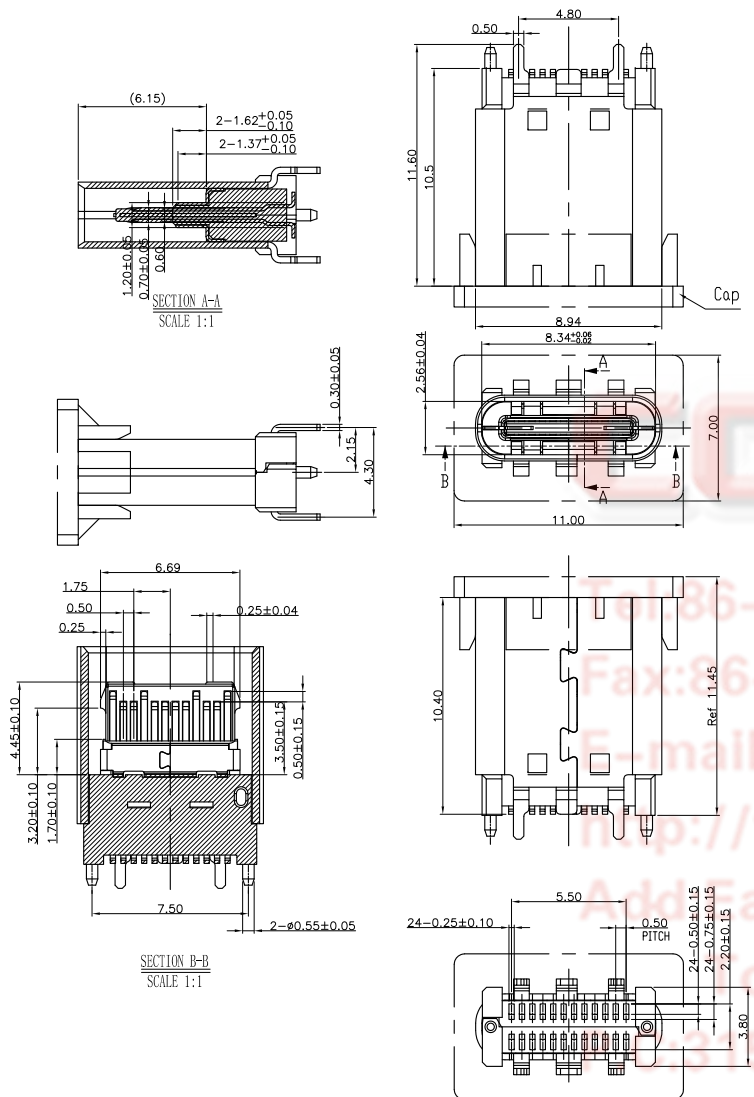


Dept Qty
 DC 1
 ED 1
 IE 1
 ISO 1
 PD 1
 R&D 1
 SD 1
 QA 1
 QC 1
 QE 1

The information provided herein is from CONNELY Electronic Co., Ltd. and is confidential. Any disclosure to a party other than the recipient is prohibited. The intellectual properties and its rights contained herein, including but not limited to, trademarks, patents, copyrights, trade secrets, and technical know-how, are owned exclusively by CONNELY or its affiliates. Unauthorized use of this information is strictly prohibited. CONNELY may enforce its intellectual property rights at its own discretion; failures or delays to exercise such rights does not constitute a waiver of such rights. Its use in any format or manner. CONNELY may enforce its intellectual property rights at its own discretion; failures or delays to exercise such rights does not constitute a waiver of such rights.

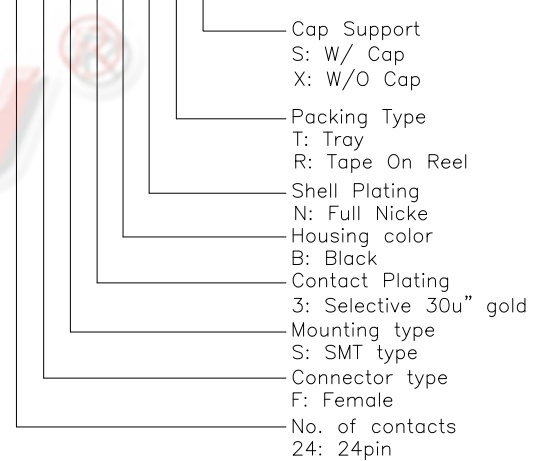
REV.	DESCRIPTION	DRAWN	CHECKED	APPROVED
A	NEW RELEASE	JLZ 08/08/18'		



NOTES:

- 1.1 INSULATOR RESISTANCE: 100MΩ Min. AT 100V DC.
- 1.2 CURRENT RATING: 3A MAX.
- 1.3 DIELECTRIC STRENGTH: AC 100V FOR 1 Minute.
- 1.4 HOUSING: THERMOPLASTIC (UL 94-0).
- 1.5 CONTACT: COPPER ALLOY
- 1.6 OUTER SHELL: COPPER ALLOY
- 1.7 INNER SHELL: STAINLESS STEEL
- 1.8 PRODUCT NUMBER CODE:

DS1144-03 - X X X X X X X X



RECOMMENDED P.C.B. LAYOUT (T:1.00mm)
 TOLERANCE UNSPECIFIED ±0.05mm

GENERAL TOLERANCE		ANGLE TOLERANCE	
X.	±0.60	X.	±5°
.X	±0.38	.X	±3°
.XX	±0.25	.XX	±2°

PROJECTION		TITLE	USB C TYPE FEMALE V/T SMT TYPE	
UNITS	mm	SHEET SIZE	A4	SERIES DS1144-03 SERIES

DRAWING TYPE	CUSTOMER		
SCALE	1:1	SHEET	1 OF 1
DRAWING NO.	C-DS1144-03-XXXXXXX-A		

晨翔电子有限公司
CONNFLY CONNFLY ELECTRONIC CO. LTD