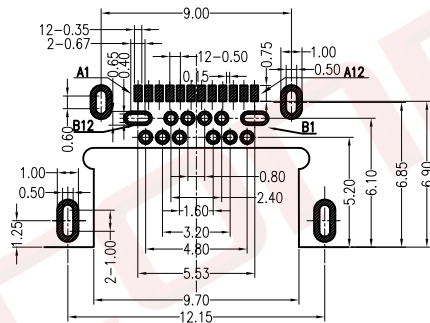
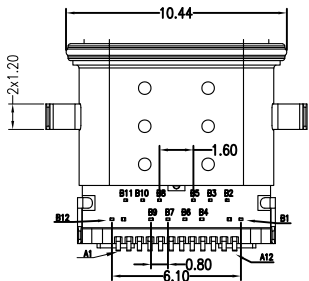
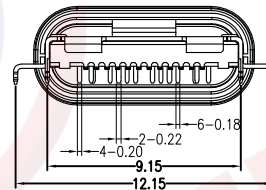
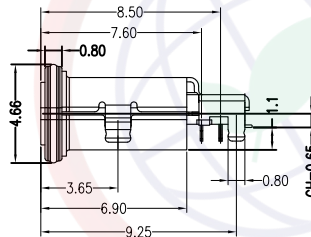
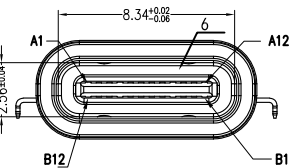
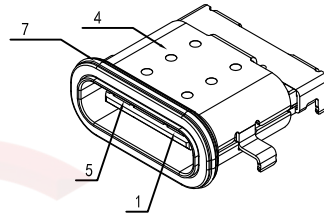
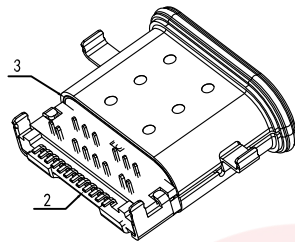
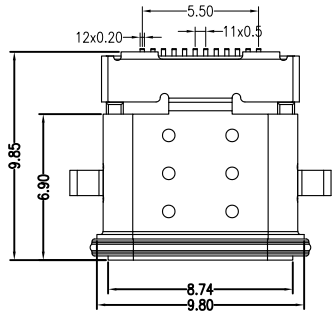


Dept  
Qty  
DC 1  
ED 1  
IE 1  
ISO 1  
PD 1  
R&D 1  
SD 1  
QA 1  
QC 1  
QE 1

The information provided herein is from CONNLY Electronic Co., Ltd. and is confidential. Any disclosure to a party other than the recipient is prohibited. The intellectual properties and its rights contained herein, including but not limited to, trademarks, patents, copyrights, trade secrets, and technical know-how, are owned exclusively by CONNLY or its affiliates. Unauthorized use or modification is strictly prohibited without prior written consent from CONNLY. All intellectual properties constitute a major of such rights.

REV.	DESCRIPTION	DRAWN	CHECKED	APPROVED
A	NEW RELEASE	JLZ 01/18/21'		



RECOMMEND PCB LAYOUT  
TOL=±0.05



(Series Image-Reference Only)

SPECIFICATION:

1.ELECTRICAL:

1-1:CURRENT RATING:

VBUS AND GND CONTACTS RATED AT 1.25A  
PARALLELED FOR A TOTAL OF 5A;

1-2:INITIAL CONTACT RESISTANCE :40 MEGOHMS

1-3:DIELECTRIC WITHSTANDING VOLTAGE:  
100V AC MIN;

2:MECHANICAL CHARACTERISTICS:

2-1:MATING FORCE:5~20N

2-2:UNMATING FORCE:8~20N(INITIAL),  
6~20N(AFTER 10000 CYCLES)

2-3:FREQUENCY: 200±50 CYCLES /HOUR,10000 CYCLES

2-4:OPERATING TEMPERATURE ;-40~80°.

3: WATERPROOF: IP-X7.

4:Product number code:

DS1144-60 - X X X X X X

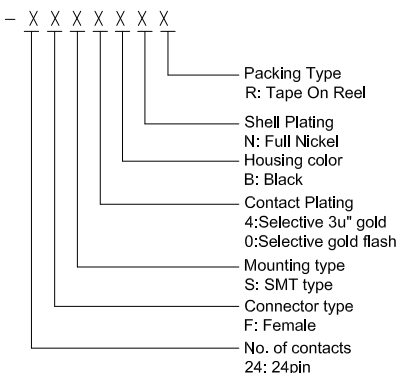


TABLE A

NO.	DESCRIPTION	MATERIAL	FINISH PLANTED	QTY	REMARKS
7	RING	SILICON	---	1PCS	
6	MID-PLANT	STAINLESS STEEL	---	1PCS	
5	GND-PLANT	STAINLESS STEEL	NI/SN Plated	1PCS	
4	SHELL	STAINLESS STEEL	---	1PCS	
3	INNER SHELL	STAINLESS STEEL	NI Plated	1PCS	
2	CONTACT	COPPER ALLOY	Au/Ni Plated	2SET	
1	HOUSING	HIGH TEMPERATURE PLASTIC	BLACK	1PCS	

PROJECTION		TITLE	USB C Type 24P Female SMT Type L=9.85mm
UNITS	mm		Centre-H=0.65mm Waterproof Grade IP-X7
SHEET SIZE	A4	SERIES	DS1144-60 SERIES

晨翔电子有限公司  
CONNFLY CONNLY ELECTRONIC CO. LTD

GENERAL TOLERANCE		ANGLE TOLERANCE	
X.	±0.60	X.	±5°
.X	±0.38	.X	±3°
.XX	±0.25	.XX	±2°
DRAWING TYPE	CUSTOMER		
SCALE	1:1	SHEET	1 OF 1
DRAWING NO.	C-DS1144-60-XXXXXX-A		