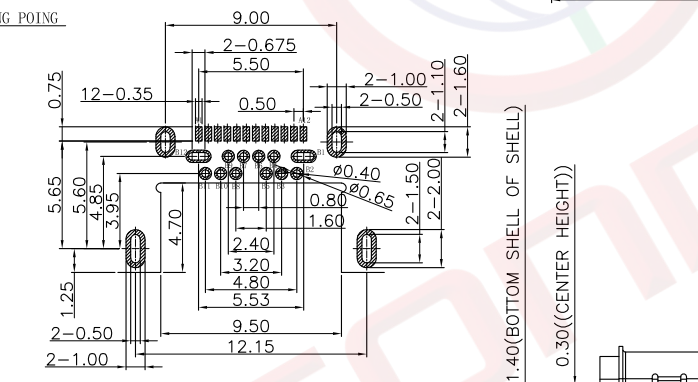
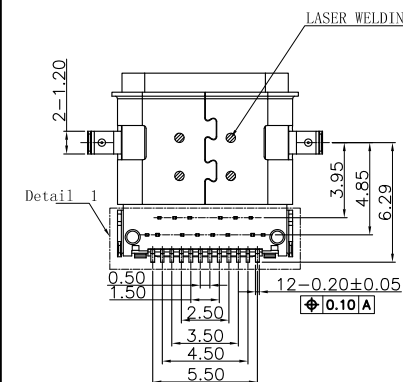
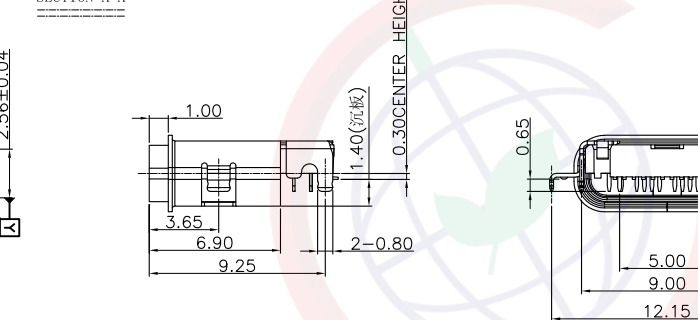
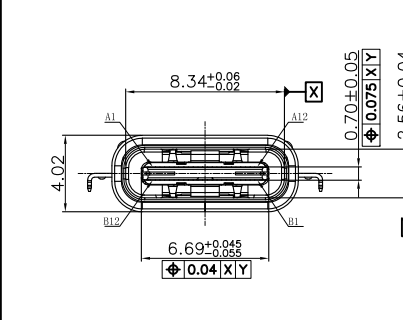
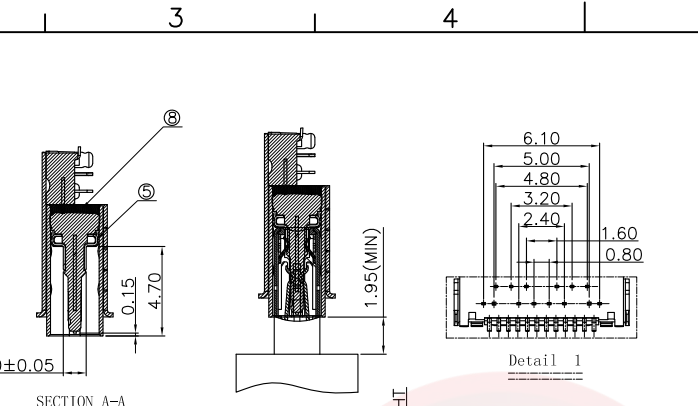
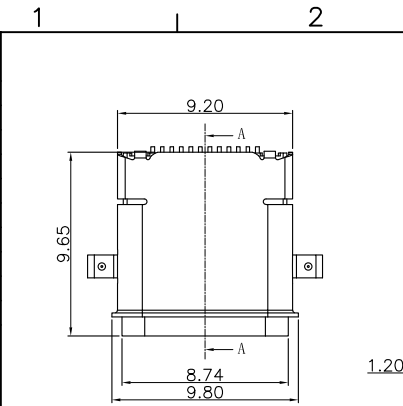


Dept Qty  
 DC 1  
 ED 1  
 IE 1  
 ISO 1  
 PD 1  
 R&D 1  
 SD 1  
 QA 1  
 QC 1  
 QF 1

The information provided herein is from CONNELY Electronic Co., Ltd. and is confidential. Any disclosure to a party other than the recipient is prohibited. The intellectual properties and its rights contained herein, including but not limited to, trademarks, patents, copyrights, trade secrets, and technical know-how, are owned exclusively by CONNELY or its affiliates. Unauthorized use or reproduction of this document in any format or manner, CONNELY may enforce its intellectual property rights at its own discretion; failures or delays to exercise such rights does not constitute a waiver of such rights.



RECOMMENDED P.C.B LAYOUT(Both sides are sample)  
 Tolerance:±0.05,Thickness=0.60mm



(Series Image-Reference Only)

Pin	Signal Name	Mating Sequence	Pin	Signal Name	Mating Sequence
A1	GND	First	B12	GND	First
A2	SSTXp1	Second	B11	SSRXp1	Second
A3	SSTXn1	Second	B10	SSRXn1	Second
A4	Vbus	First	B9	Vbus	First
A5	CC1	Second	B8	SBU2	Second
A6	Dp1	Second	B7	Dn2	Second
A7	Dn1	Second	B6	Dp2	Second
A8	SBU1	Second	B5	CC2	Second
A9	Vbus	First	B4	Vbus	First
A10	SSRXn2	Second	B3	SSTXn2	Second
A11	SSRXp2	Second	B2	SSTXp2	Second
A12	GND	First	B1	GND	First
SHELL	GND		SHELL	GND	

REV.	DESCRIPTION	DRAWN	CHECKED	APPROVED
A	NEW RELEASE	JLZ 01/18/21'		

- NOTES:
- MATERIAL: SEE "TABLE 1";
  - FINISH: SEE "TABLE 1";
  - ELECTRICAL :
    - CONTACT CURRENT RATING :  
 5A(VBUS PIN 1.5A/PIN),  
 5A(GND PIN 1.25A/PIN MAX),0.25A/PIN(OTHER PIN).
    - INSULATION RESISTANCE :  
 100 MEGAOHMS MIN. AT 250VDC.
    - DIELECTRIC WITHSTANDING VOLTAGE :  
 100VAC MIN.
    - LOW LEVEL CONTACT RESISTANCE :  
 INITIAL 40mΩ MAX.  
 AFTER 50mΩ MAX.
  - MECHANICAL CHARACTERISTICS :
    - MATING FORCE: 5~20N.
    - UNMATING FORCE: 8~20N(INITIAL),6~20N(AFTER 10000 CYCLES);
    - DURABILITY : 10,000 MATING CYCLES.
    - OPERATING TEMPERATURE : -40°C TO +80°C
- 5.Product number code:  
 DS1144-61 - X X X X X X X X

- Packing Type
- R: Tape On Reel
- Shell Plating
- N: Full Nickel
- Housing color
- B: Black
- Contact Plating
- 5: Gold Plating 15u"
- 8: Gold Flash
- Mounting type
- S: SMT type
- Connector type
- F: Female
- No. of contacts
- 24: 24pin



TABLE 1:

⑧	GLUE WATER	1	EPOXY	BLACK;	
⑦	Shell-2	1	Stainless steel	NI PLATING; T=0.20mm	
⑥	Shell-1	1	Stainless steel	NI PLATING; T=0.20mm	
⑤	GND PLATE	1	Stainless steel	NI PLATING; T=0.10mm	
④	MID PLATE	1	Stainless steel	T=0.15mm	
③	Terminal-B	12	铜镍硅合金	Au PLATING; T=0.12mm	
②	Terminal-A	12		Au PLATING; T=0.12mm	
①	Housing	1	HIGH TEMP	Black	
	PART NAME	QTY	MATERIAL	DESCRIPTION	REMARK

GENERAL TOLERANCE		ANGLE TOLERANCE	
X.	±0.60	X.	±5°
.X	±0.38	.X	±3°
.XX	±0.25	.XX	±2°
DRAWING TYPE		CUSTOMER	
SCALE	1:1	SHEET	1 OF 1
DRAWING NO.	C-DS1144-61-XXXXXX-A		

PROJECTION	TITLE
	USB C Type 24P Female SMT Type L=9.65mm Centre-H=0.3mm Waterproof Grade IP-X7
UNITS	mm
SHEET SIZE	A4
SERIES	DS1144-61 SERIES

晨翔电子有限公司  
**CONNFLY CONNELY ELECTRONIC CO. LTD**