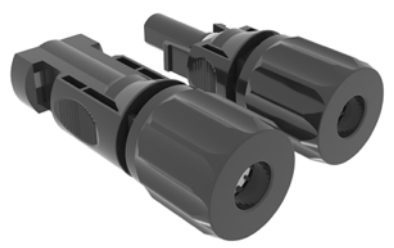
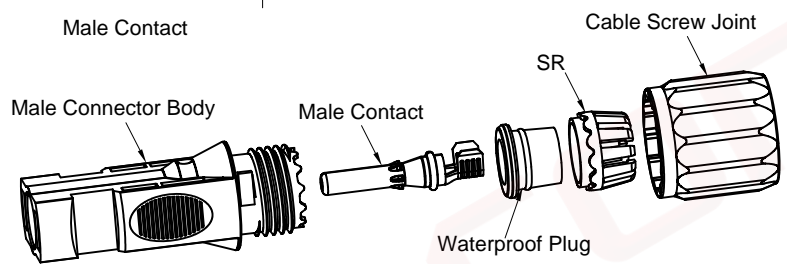
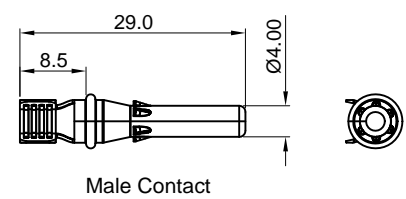
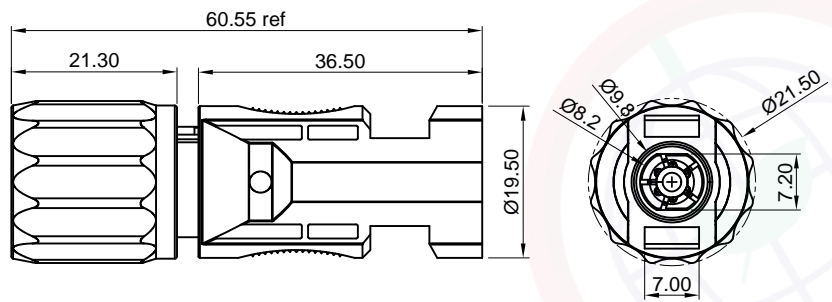
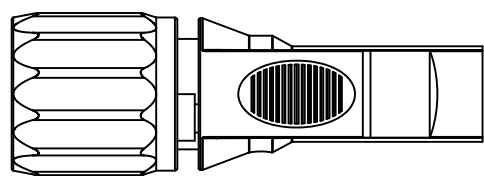


Dept	
Qty	
DC	1
ED	1
IE	1
ISO	1
PD	1
R&D	1
SD	1
QA	1
QC	1
QF	1

The information provided herein is from CONNELY Electronic Co., Ltd. and is confidential. Any disclosure to a party other than the recipient is prohibited. The intellectual properties and its rights contained herein, including but not limited to, trademarks, patents, copyrights, trade secrets, and technical know-how, are owned exclusively by CONNELY or its affiliates. Unauthorized use or reproduction of any part of this document without the prior written consent of CONNELY may result in legal action. CONNELY may enforce its intellectual property rights at its own discretion, failures or delays to exercise such rights does not constitute a waiver of such rights.



(Series Image-Reference Only)

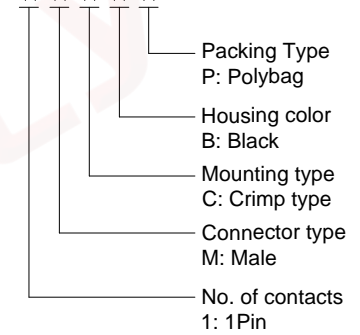
REV.	DESCRIPTION	DRAWN	CHECKED	APPROVED
A	NEW RELEASE	JLZ 05/06/22'		

- Notes:  
Specifications:
- Contact Resistance: 25mΩ Max.
  - Insulation Resistance: 1000MΩ Min.
  - Dielectric Withstanding Voltage: 1500V AC(rms) For 1 Minute.
  - Current Rating:15-30A.
  - Voltage Rating:1000V AC rms.
  - Temperature: -40°C~+85°C.

- Materials:
- Insulating material:PBT+PC.
  - Waterproof Plug: Silicone rubber,Black.

Product Number Code:

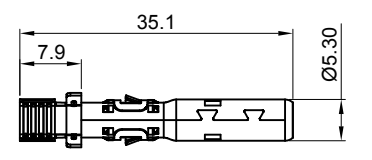
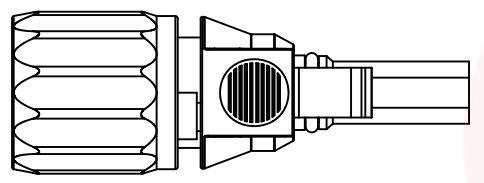
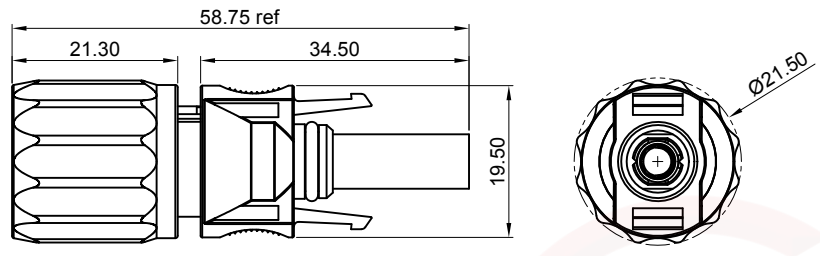
DS1162-01 - X X X X X



GENERAL TOLERANCE		ANGLE TOLERANCE		PROJECTION		TITLE	Solar Connectors Wire to Wire W/ Lock Type (Male)		
X.	±0.60	X.	±5°	UNITS	mm	SERIES	DS1162-01 SERIES		
.X	±0.38	.X	±3°	SHEET SIZE	A4				
.XX	±0.25	.XX	±2°						
DRAWING TYPE		CUSTOMER			<b>晨翔电子有限公司</b> <b>CONNFLY ELECTRONIC CO., LTD</b>				
SCALE		1:1	SHEET	1 OF 4					
DRAWING NO.		C-DS1162-01-XXXXX-A							

Dept	
Qty	
DC	1
ED	1
IE	1
ISO	1
PD	1
R&D	1
SD	1
QA	1
QC	1
QE	1

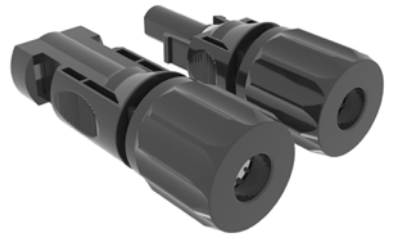
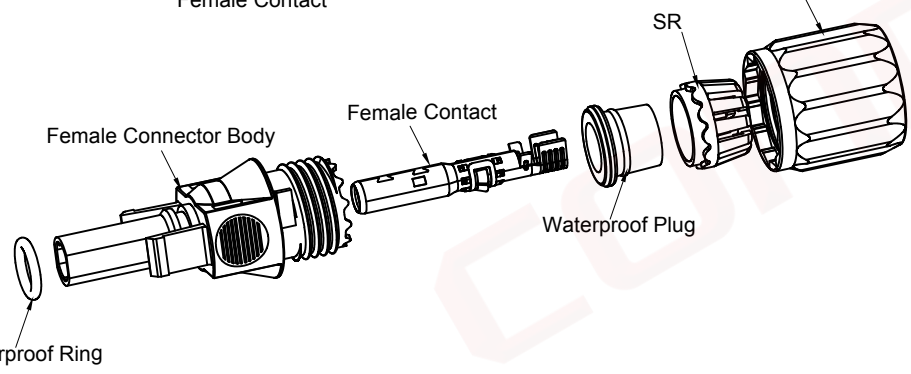
The information provided herein is from CONNELY Electronic Co., Ltd. and is confidential. Any disclosure to a party other than the recipient is prohibited. The intellectual properties and its rights contained herein, including but not limited to, trademarks, patents, copyrights, trade secrets, and technical know-how, are owned exclusively by CONNELY or its affiliates. Unauthorized use or reproduction of any part of this document is strictly prohibited. CONNELY may enforce its intellectual property rights at its own discretion, failures or delays to exercise such rights does not constitute a waiver of such rights.



Female Contact



Cable Screw Joint



(Series Image-Reference Only)

REV.	DESCRIPTION	DRAWN	CHECKED	APPROVED
A	NEW RELEASE	JLZ 05/06/22'		


- Notes:  
 Specifications:  
 1. Contact Resistance: 25mΩ Max.  
 2. Insulation Resistance: 1000MΩ Min.  
 3. Dielectric Withstanding Voltage: 1500V AC(rms) For 1 Minute.  
 4. Current Rating: 15-30A.  
 5. Voltage Rating: 1000V AC rms.  
 6. Temperature: -40°C~+85°C.

- Materials:  
 1. Insulating material: PBT+PC.  
 2. Waterproof Plug: Silicone rubber, Black.

Product Number Code:  
 DS1162-01 - X X X X X

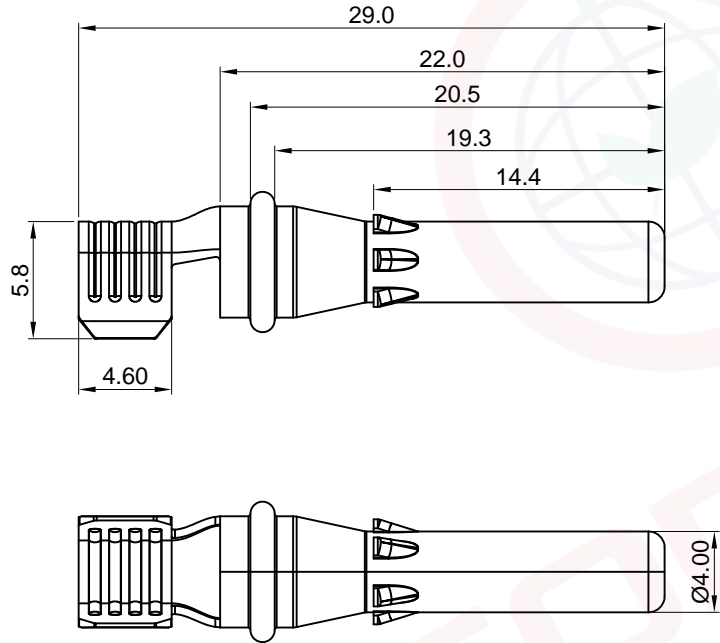
- X Packing Type  
P: Polybag
- X Housing color  
B: Black
- X Mounting type  
C: Crimp type
- X Connector type  
F: Female
- X No. of contacts  
1: 1Pin

GENERAL TOLERANCE		ANGLE TOLERANCE		PROJECTION		TITLE	Solar Connectors Wire to Wire W/ Lock Type (Female)
X.	±0.60	X.	±5°	UNITS	mm	SERIES	DS1162-01 SERIES
.X	±0.38	.X	±3°				
.XX	±0.25	.XX	±2°				
DRAWING TYPE		CUSTOMER					
SCALE		1:1	SHEET	2 OF 4			
DRAWING NO.		C-DS1162-01-XXXXX-A					



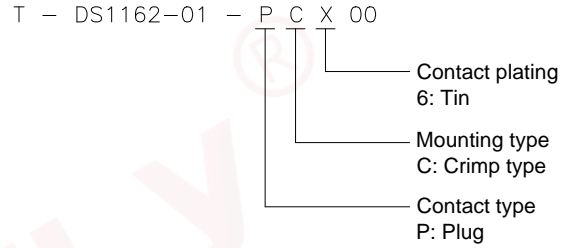
**晨翔电子有限公司**  
 CONNELY CONNELY ELECTRONIC CO. LTD

The information provided herein is from CONNELY Electronic Co., Ltd. and is confidential. Any disclosure to a party other than the recipient is prohibited. The intellectual properties and its rights contained herein, including but not limited to, trademarks, patents, copyrights, trade secrets, and technical know-how, are owned exclusively by CONNELY or its affiliates. Unauthorized use or reproduction of any part of this document is strictly prohibited. CONNELY reserves all rights in this document and its use in any format or manner. CONNELY may enforce its intellectual property rights at its own discretion, failures or delays to exercise such rights does not constitute a waiver of such rights.



REV.	DESCRIPTION	DRAWN	CHECKED	APPROVED
A	NEW RELEASE	JLZ 05/06/22'		

**Notes:**  
**Specifications:**  
 1. Contact Resistance: 25mΩ Max.  
 2. Wire Range: AWG#10-#14.  
**Material:**  
 1. Contact Material: Copper Alloy.  
**Product Number Code:**



GENERAL TOLERANCE		ANGLE TOLERANCE		PROJECTION	TITLE
X.	±0.60	X.	±5°		Solar Connectors Wire to Wire W/ Lock Type(Male Terminal)
.X	±0.38	.X	±3°	mm	
.XX	±0.25	.XX	±2°	A4	SERIES DS1162-01 SERIES
DRAWING TYPE		CUSTOMER		<b>晨翔电子有限公司</b> <b>CONNFLY CONNELY ELECTRONIC CO. LTD</b>	
SCALE		1:1	SHEET 3 OF 4		
DRAWING NO.		C-DS1162-01-XXXXX-A			

Dept	Qty
DC	1
ED	1
IE	1
ISO	1
PD	1
R&D	1
SD	1
QA	1
QC	1
QE	1

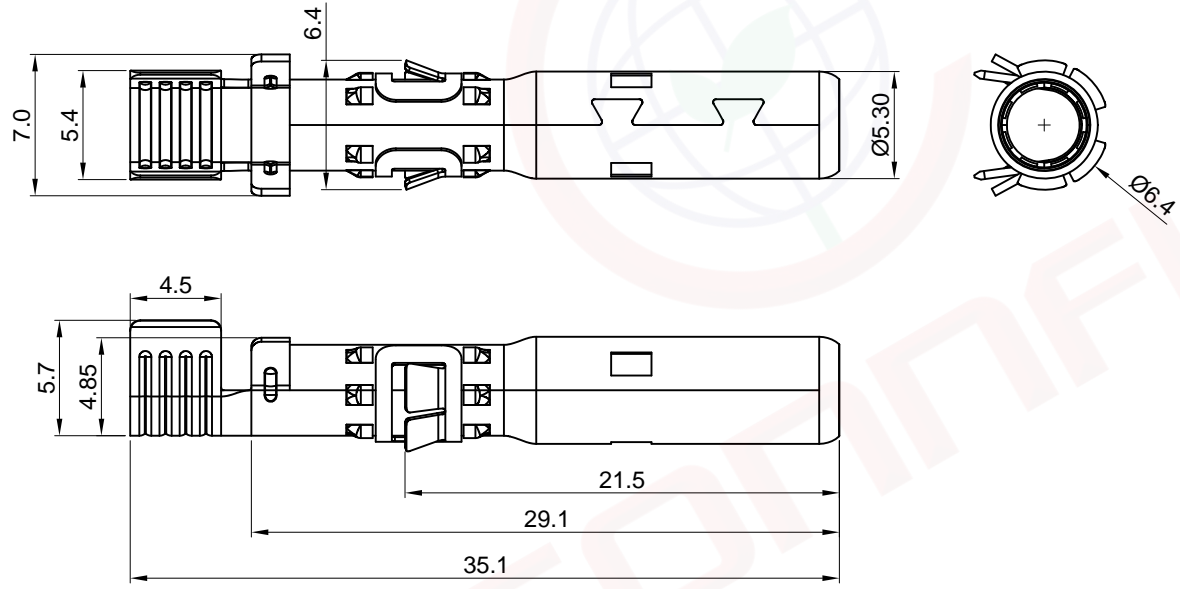
REV.	DESCRIPTION	DRAWN	CHECKED	APPROVED
A	NEW RELEASE	JLZ 05/06/22'		

The information provided herein is from CONNELY Electronic Co., Ltd. and is confidential. Any disclosure to a party other than the recipient is prohibited. The intellectual properties and its rights contained herein, including but not limited to, trademarks, patents, copyrights, trade secrets, and technical know-how, are owned exclusively by CONNELY or its affiliates. Unauthorized use or reproduction of any part of this document is strictly prohibited. CONNELY reserves all rights in any format or manner. CONNELY may enforce its intellectual property rights at its own discretion, failures or delays to exercise such rights does not constitute a waiver of such rights.

Notes:  
 Specifications:  
 1. Contact Resistance: 25mΩ Max.  
 2. Wire Range: AWG#10-#14.  
 Material:  
 1. Contact Material: Copper Alloy.  
 Product Number Code:

T - DS1162-01 - S C X 00

Contact plating  
 6: Tin  
 Mounting type  
 C: Crimp type  
 Contact type  
 S: Socket



GENERAL TOLERANCE		ANGLE TOLERANCE	
X.	±0.60	X.	±5°
.X	±0.38	.X	±3°
.XX	±0.25	.XX	±2°
DRAWING TYPE	CUSTOMER		
SCALE	1:1	SHEET	4 OF 4
DRAWING NO.	C-DS1162-01-XXXXX-A		

PROJECTION		TITLE	Solar Connectors Wire to Wire W/ Lock Type(Female Terminal)
UNITS	mm	SERIES	DS1162-01 SERIES
SHEET SIZE	A4		

**晨翔电子有限公司**  
 CONNELY CONNELY ELECTRONIC CO., LTD