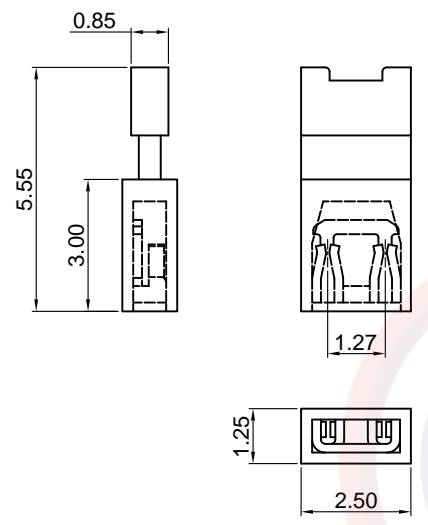


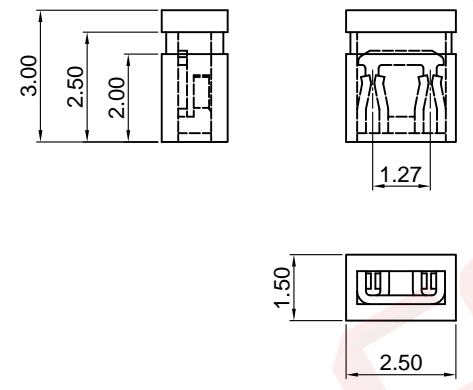
Dept	
Qty	
DC	1
ED	1
IE	1
ISO	1
PD	1
R&D	1
SD	1
QA	1
QC	1
QF	1

The information provided herein is from CONNELY Electronic Co., Ltd. and is confidential. Any disclosure to a party other than the recipient is prohibited. The intellectual properties and its rights contained herein, including but not limited to, trademarks, patents, copyrights, trade secrets, and technical know-how, are owned exclusively by CONNELY or its affiliates. Unauthorized use or reproduction of any part of this document is strictly prohibited. CONNELY may enforce its intellectual property rights at its own discretion, failures or delays to exercise such rights does not constitute a waiver of such rights.

Long type



Close type



(Series Image-Reference Only)

REV.	DESCRIPTION	DRAWN	CHECKED	APPROVED
A	NEW RELEASE	YCH 05/21/14'		LJC 05/21/14'
B	DRAWING UPDATE	JLZ 06/03/16'		

Notes:  
 Specifications:  
 1. Contact Resistance: 30mΩ Max.  
 2. Insulation Resistance: 500MΩ Min.  
 3. Dielectric Withstanding Voltage: 100V AC(rms)  
 For 1 Minute.  
 4. Current Rating:1A.  
 5. Temperature: -40°C~+105°C.  
 Materials:  
 1. Contact Material: Copper Alloy.  
 2. Insulator Material: Thermoplastic.  
 Product Number Code:  
 DS1028-02 - X X X X

Contact plating:  
 F1: Full gold flash  
 N: Nickel 2: Gold+Nickel  
 Housing color:  
 B: Black U:Blue Y:Yellow  
 W: White E:Green R:Red  
 Housing type:  
 L:Long B:Close  
 No.of contacts:  
 2:2 Pin

GENERAL TOLERANCE		ANGLE TOLERANCE		PROJECTION		TITLE	1.27mm Mini Jumper		
X.	±0.60	X.	±5°	UNITS	mm				
.X	±0.38	.X	±3°	SHEET SIZE	A4	SERIES	DS1028-02 SERIES		
.XX	±0.25	.XX	±2°						
DRAWING TYPE		CUSTOMER							
SCALE		1:1	SHEET	1 OF 1					
DRAWING NO.		C-DS1028-02-XXXX-B							

