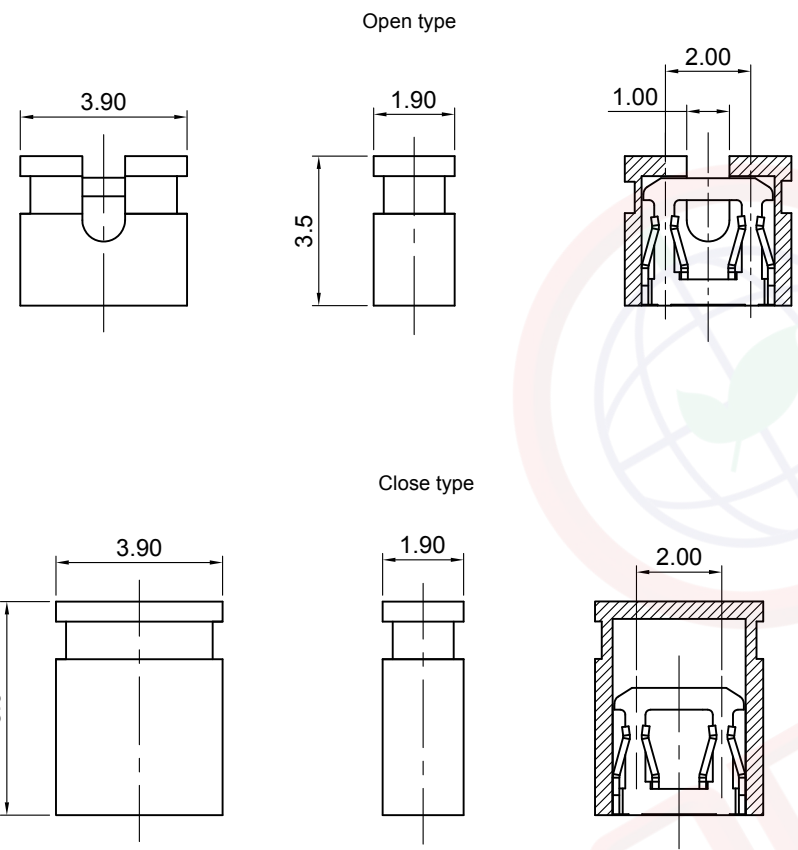


The information provided herein is from CONNELY Electronic Co., Ltd. and is confidential. Any disclosure to a party other than the recipient is prohibited. The intellectual properties and its rights contained herein, including but not limited to, trademarks, patents, copyrights, trade secrets, and technical know-how, are owned exclusively by CONNELY or its affiliates. Unauthorized use or reproduction of any part of this drawing without the prior written permission of CONNELY may constitute a violation of intellectual property rights. CONNELY may enforce its intellectual property rights at its own discretion, failures or delays to exercise such rights does not constitute a waiver of such rights.

REV.	DESCRIPTION	DRAWN	CHECKED	APPROVED
A	NEW RELEASE	LL 09/25/06'		LJC 09/25/06'
B	DRAWING UPDATE	JLZ 10/20/16'		



Notes:

Specifications:

- Contact Resistance: 30mΩ Max.
- Insulation Resistance: 500MΩ Min.
- Dielectric Withstanding Voltage: 250V AC(rms) For 1 Minute.
- Current Rating: 1.5A.
- Temperature: -40°C~+105°C.

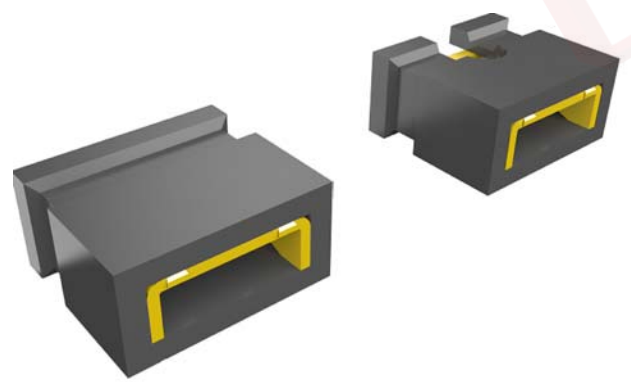
Materials:

- Contact Material: Copper Alloy.
- Insulator Material: Thermoplastic.

Product Number Code:

DS1028 - X X X X X

- Profile height: 1:3.5mm(For open type) 2:5.0mm(For close type)
- Contact plating: F1: Full gold flash N: Nickel 2: Gold+Nickel
- Housing color: B: Black U:Blue Y:Yellow W: White E:Green R:Red
- Housing type: A:Open B:Close
- No.of contacts: 2: 2Pin



(Series Image-Reference Only)

GENERAL TOLERANCE		ANGLE TOLERANCE		PROJECTION		TITLE	
X.	±0.60	X.	±5°	UNITS	mm	2.00mm Mini Jumper	
.X	±0.38	.X	±3°	SHEET SIZE	A4	SERIES	DS1028 SERIES
.XX	±0.25	.XX	±2°	<b>晨翔电子有限公司</b> <b>CONNFLY ELECTRONIC CO. LTD</b>			
DRAWING TYPE		CUSTOMER					
SCALE		1:1	SHEET 1 OF 1				
DRAWING NO.		C-DS1028-XXXXX-B					