

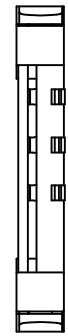
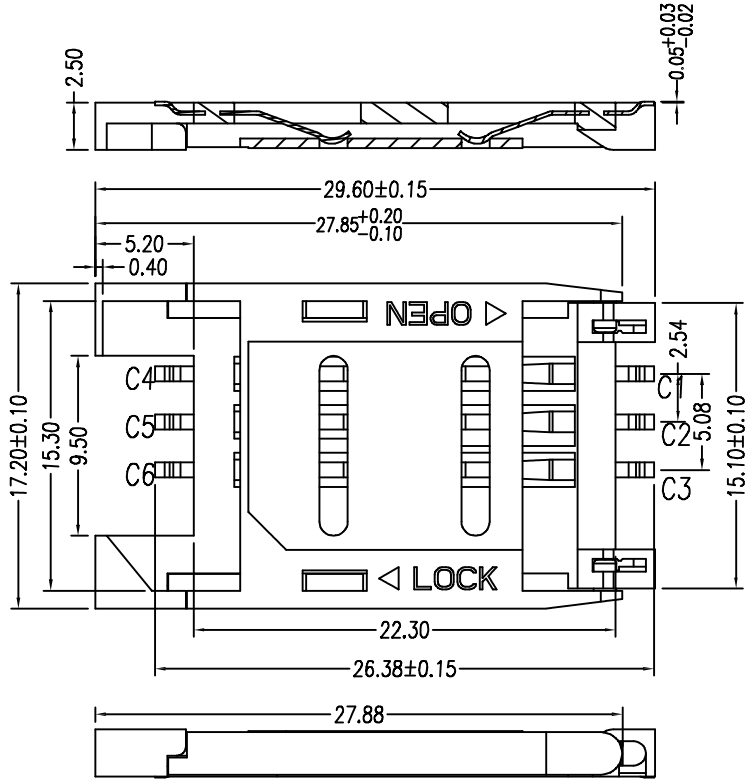
REV.	DESCRIPTION	DRAWN	CHECKED	APPROVED
A	NEW RELEASE	JLZ 10/07/14'		

Notes:

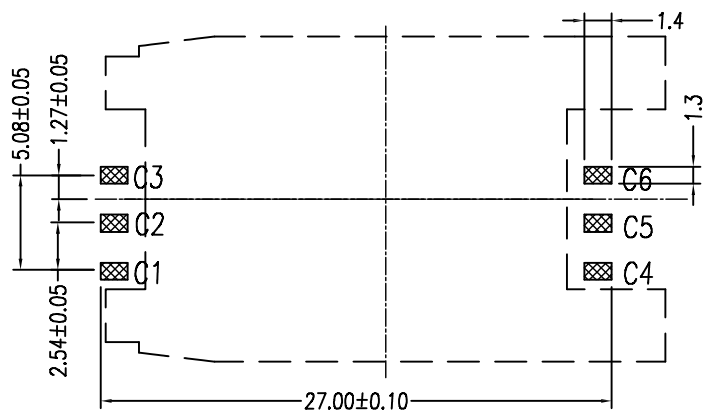
- Material:
 - Housing: High Temperature LCP UL 94V-0 Color: Black.
 - Contacts: Copper Alloy. Selective Gold Flash.
- Specifications:
 - Operate Temperature: $-40^{\circ}\text{C} \sim +105^{\circ}\text{C}$
 - Insulation Resistance: 1000M Ω Min.
 - Contact Resistance: 50m Ω max.
 - Withstanding Voltage: 500V AC 1min.
 - Voltage Rating: 30V AC/DC
 - Current Rating: 1.0A
- Product Number Code:

DS1138-02 - XX X X X X 0 X

- Packing Type
R: Tape On Reel
- Housing color
B: Black
- Contact Plating
4: Selective 3u" gold
- Mounting type
S: SMT type
- Connector type
S: Socket
- No. of contacts
06:6pin



PIN NO	PIN NAME
C1	VCC
C2	RST
C3	CLK
C4	GND
C5	VPP
C6	I/O



Recommend Layout PCB

GENERAL TOLERANCE	ANGLE TOLERANCE	PROJECTION		TITLE	2.54mm SIM Card H=2.5mm 6 Positions SMT Type
X. ±0.60	X. ±5°	UNITS	mm		
.X ±0.38	.X ±3°	SHEET SIZE	A4	SERIES	DS1138-02 SERIES
.XX ±0.25	.XX ±2°	晨翔电子有限公司 CONNFLY® CONNFLY ELECTRONIC CO., LTD			
DRAWING TYPE	CUSTOMER				
SCALE	1:1 SHEET 1 OF 1				
DRAWING NO.	C-DS1138-02-XXXXXXX				