

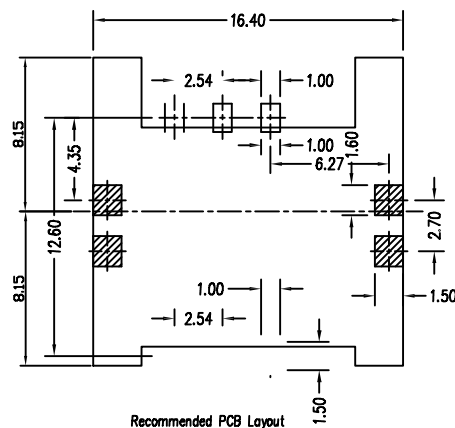
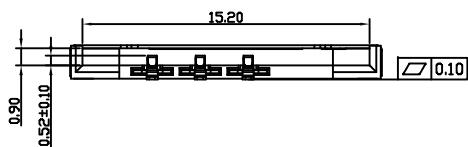
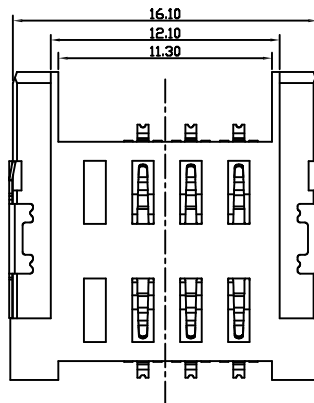
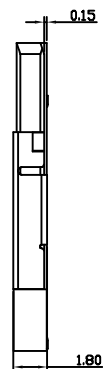
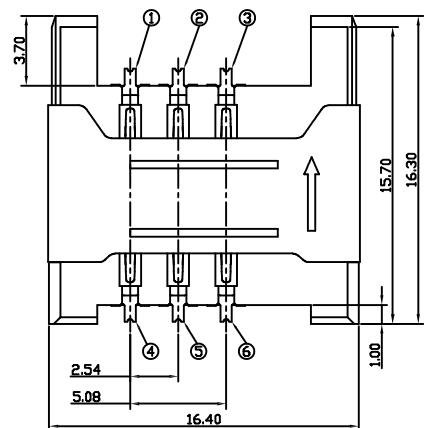
REV.	DESCRIPTION	DRAWN	CHECKED	APPROVED
A	NEW RELEASE	JLZ 10/10/14'		

Notes:

1. Material:
 - 1.1. Housing: High Temperature LCP UL 94V-0 Color of Black.
 - 1.2. Contacts: Copper Alloy,
 - 1.3. Shell: Stainless Steel.
2. Finish:
 - 2.1. Contact Area: Gold Over Nickel
 - 2.2. Solder Area: Matte Tin.
3. Specifications:
 - 3.1. Temperature Rated: -40° C TO +105° C
 - 3.2. Voltage Rating: 30V AC/DC
 - 3.3. Contact Resistance: 50mΩ Max.
 - 3.4. Insulation Resistance: 1000mΩ Min.
 - 3.5. Withstanding Voltage : 500V AC.
 - 3.6. Current Rating: 1.0A.
4. Product Number Code:

DS1138-07 - XX X X X X X X

- Packing Type
R: Tape On Reel
- Shell Plating
S: Stainless
- Housing Color
B: Black
- Contact Plating
4: Selective 3u" gold
- Mounting Type
S: SMT type
- Connector Type
S: Socket
- NO. Of Contacts
06:6Pin



PIN DEFINITION					
1PIN	2PIN	3PIN	4PIN	5PIN	6PIN
VCC	RESET	CLK	GND	VPP	IO

GENERAL TOLERANCE		ANGLE TOLERANCE	
X.	±0.60	X.	±5°
.X	±0.38	.X	±3°
.XX	±0.25	.XX	±2°

DRAWING TYPE	CUSTOMER		
SCALE	1:1	SHEET	1 OF 1
DRAWING NO.	C-DS1138-07-XXXXXX-A		

PROJECTION	TITLE
	2.54mm Mini SIM Card H=1.8mm 6 Positions
UNITS	mm
SHEET SIZE	A4
SERIES	DS1138-07 SERIES

晨翔电子有限公司
CONNFLY® CONNFLY ELECTRONIC CO., LTD