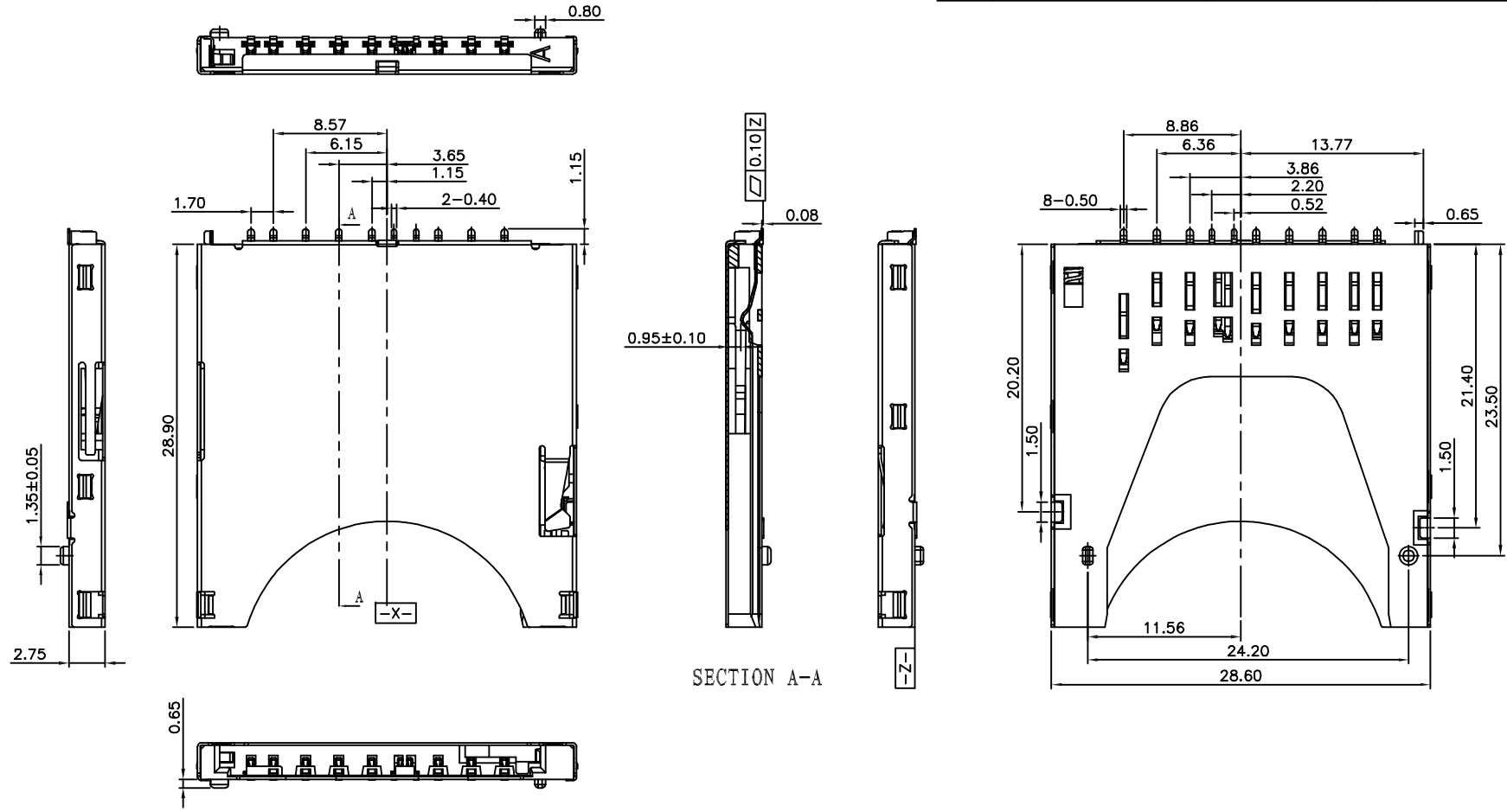


REV.	DESCRIPTION	DRAWN	CHECKED	APPROVED
A	NEW RELEASE	JLZ 10/14/14'		



SECTION A-A

CIRCUIT:		WP		GROUND		WP		GROUND	
WP	GROUND	WP	GROUND	WP	GROUND	WP	GROUND	WP	GROUND
CD	#3	CD	#3	CD	#3	CD	#3	CD	#3
WITHOUT CARD		CARD INSERTED WRITE PROTECT: LOCK		CARD INSERTED WRITE PROTECT: UNLOCK					

GENERAL TOLERANCE	ANGLE TOLERANCE
X. ±0.60	X. ±5°
.X ±0.38	.X ±3°
.XX ±0.25	.XX ±2°

PROJECTION	TITLE
	SD CARD PUSH-PUSH POST \varnothing 1.35mm H=2.75MM
UNITS	mm
SHEET SIZE	A4
SERIES	DS1139-01 SERIES

DRAWING TYPE	CUSTOMER
SCALE	1:1 SHEET 1 OF 3
DRAWING NO.	C-DS1139-01-XXXXXXX

晨翔电子有限公司
CONNFLY® CONNFLY ELECTRONIC CO., LTD

REV.	DESCRIPTION	DRAWN	CHECKED	APPROVED
A	NEW RELEASE	JLZ 10/14/14'		

Notes:

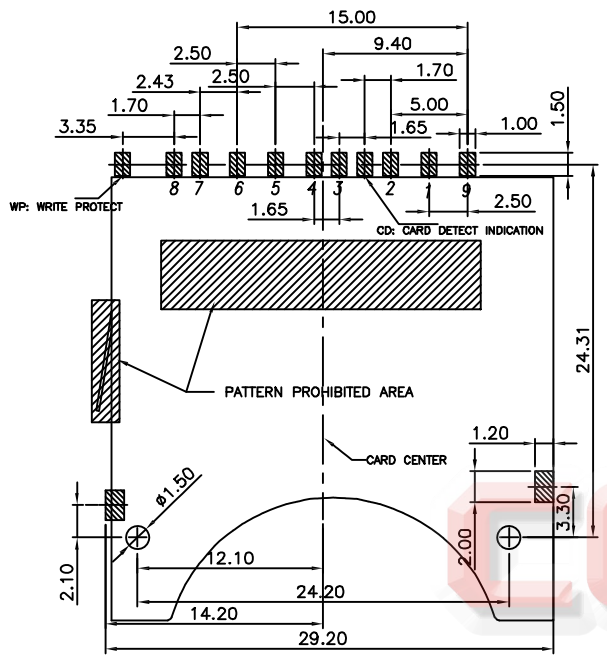
- Material:
 - Insulator: High Temperature LCP UL94V-0 Color of Black.
 - Contacts: Copper Alloy.
 - Shell: Stainless Steel.
- Finish:
 - Solder Area: Matte Tin.
 - Contact Area: Gold Over Nickel.
- Specifications:
 - Operate Temperature: $-40^{\circ}\text{C} \sim +105^{\circ}\text{C}$
 - Insulation Resistance: 1000MΩ Min.
 - Contact Resistance: 100mΩ max.
 - Withstanding Voltage: 500V AC 1min.
 - Operating Voltage: 30V AC/DC.
 - Current Rating: 1.0A

4.Product Number Code:

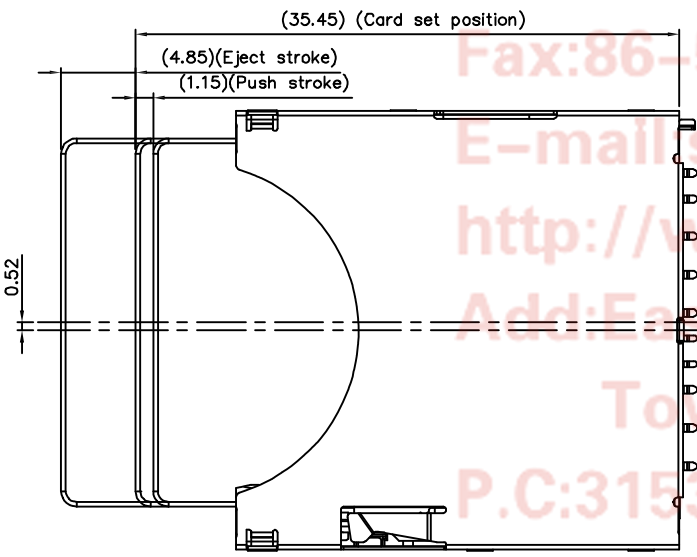
DS1139-01 - XX X X X X X X

- Packing Type
R: Tape On Reel
- Shell Plating
S: Stainless
- Housing color
B: Black
- Contact Plating
4: Selective 3u" gold
- Mounting type
S: SMT type
- Connector type
S: Socket
- No. of contacts
09:9pin

	PIN NO.	SD	MMC
P1	MMC-DAT3 SD-CD/DAT3	1P	1P
P2	MMC-CMD SD-CMD	2P	2P
P3	MMC-VSS1 SD-VSS1	3P	3P
P4	MMC-VDD SD-VDD	4P	4P
P5	MMC-CLK SD-CLK	5P	5P
P6	MMC-VSS2 SD-VSS2	6P	6P
P7	MMC-DAT0 SD-DAT0	7P	7P
P8	SD-DAT1	8P	
P9	SD-DAT2	9P	



RECOMMENDED PCB LAYOUT
(ALL TOLERANCE ARE ±0.05)




GENERAL TOLERANCE	ANGLE TOLERANCE
X. ±0.60	X. ±5°
.X ±0.38	.X ±3°
.XX ±0.25	.XX ±2°

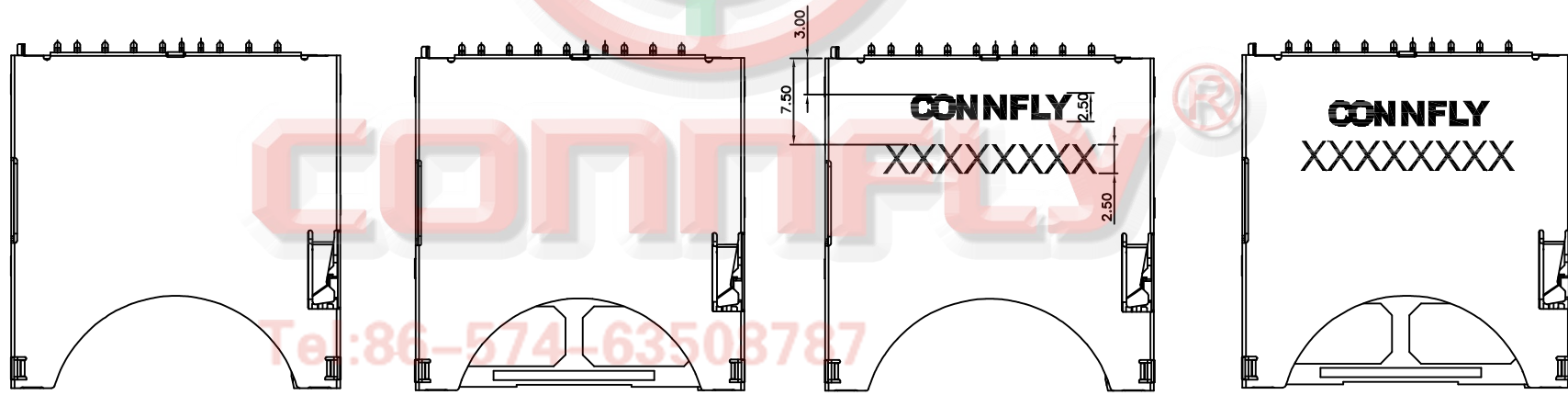
PROJECTION	TITLE	SD CARD PUSH-PUSH POST $\phi 1.35\text{mm}$ H=2.75MM
UNITS mm		
SHEET SIZE A4	SERIES DS1139-01 SERIES	

DRAWING TYPE	CUSTOMER
SCALE 1:1	SHEET 2 OF 3
DRAWING NO. C-DS1139-01-XXXXXXX	

晨翔电子有限公司
CONNFLY® CONNFLY ELECTRONIC CO., LTD

Tel:86-574-63508787
Fax:86-574-63510817
E-mail:sale@connfly.com
http://www.connfly.com
Add:East Industry Zone KuangYan
Town Cixi Ningbo China
P.C:315333

REV.	DESCRIPTION	DRAWN	CHECKED	APPROVED
A	NEW RELEASE	JLZ 10/14/14'		



普通型

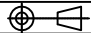

带假卡

喷码

带假卡+喷码

NOTES: XXXXXX: Year Month Day, e.g. Oct 14th, 2014,
jet printing 20141014

Te: 86-574-63503787
 Fax: 86-574-63510817
 E-mail: sale@connfly.com
 http://www.connfly.com
 Add: East Industry Zone KuangYan
 Town Cixi Ningbo China
 P.C: 315333

GENERAL TOLERANCE		ANGLE TOLERANCE		PROJECTION		TITLE	SD CARD PUSH-PUSH POST \varnothing 1.35mm H=2.75MM			
X.	± 0.60	X.	$\pm 5'$	UNITS	mm					
.X	± 0.38	.X	$\pm 3'$	SHEET SIZE	A4	SERIES	DS1139-01 SERIES			
.XX	± 0.25	.XX	$\pm 2'$			 晨翔电子有限公司 CONNFLY® CONNFLY ELECTRONIC CO., LTD				
DRAWING TYPE		CUSTOMER								
SCALE		1:1	SHEET	3 OF 3						
DRAWING NO.		C-DS1139-01-XXXXXXX								