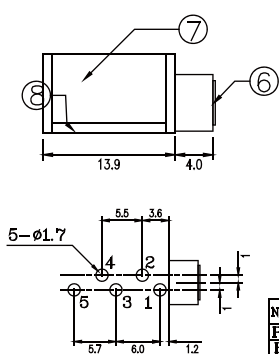
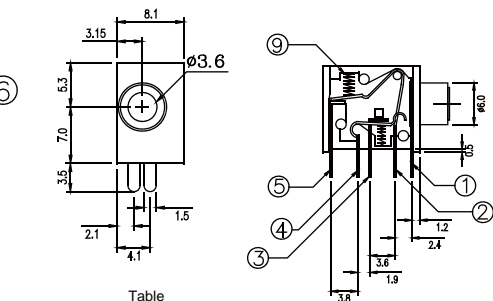


# Earphone Jack Conn.

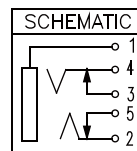


Recommended PCB Layout  
(PCB TOLERANCE ±0.05)



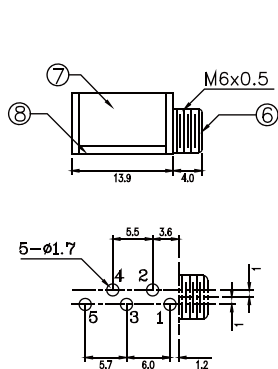
Table

NO.	HOUSING & COVER COLOR	PANTONE
PK	PINK	701C
B	BLACK	
W	WHITE	577C
Y	YELLOW	123C
OR	ORANGE	157C
LU	LIGHT BLUE	284C

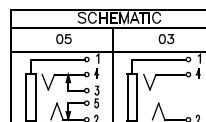
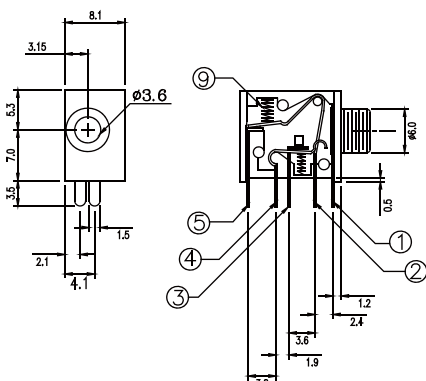


NO.	NAME	MATERIAL	FINISH	QTY
1	EARTH TERMINAL	BRASS t=0.3	TIN PLATED	1
2	TIP SPRING	PHOSPHOR BRONZE t=0.3	TIN PLATED	1
3	RING SHUNT	PHOSPHOR BRONZE t=0.3	TIN PLATED	1
4	RING SPRING	PHOSPHOR BRONZE t=0.3	TIN PLATED	1
5	TIP SHUNT	BRASS t=0.3	TIN PLATED	1
6	BUSHING	BRASS	NICKEL PLATED	1
7	HOUSING	PBT+FIBRE		1
8	COVER	PBT+FIBRE		1
9	SPRING	STAINLESS STEEL	NICKEL PLATED	2

Part No.:EPJ35-0004P-05□□  
See Table

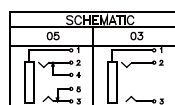


Recommended PCB Layout  
(PCB TOLERANCE ±0.05)

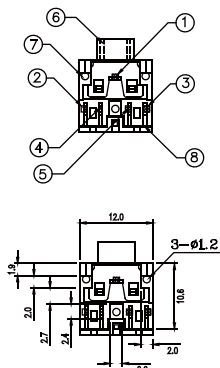
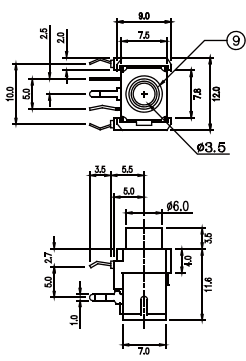


NO.	NAME	MATERIAL	FINISH	QTY
1	EARTH TERMINAL	BRASS t=0.3	TIN PLATED	1
2	TIP SPRING	PHOSPHOR BRONZE t=0.3	TIN PLATED	1
3	RING SHUNT	PHOSPHOR BRONZE t=0.3	TIN PLATED	1
4	RING SPRING	PHOSPHOR BRONZE t=0.3	TIN PLATED	1
5	TIP SHUNT	BRASS t=0.3	TIN PLATED	1
6	BUSHING	BRASS	NICKEL PLATED	1
7	HOUSING	PBT+FIBRE	BLACK	1
8	COVER	PBT+FIBRE	BLACK	1
9	SPRING	STAINLESS STEEL	NICKEL PLATED	2

Part No.:EPJ35-0004TP-□□TB-L  
No. of Contacts(04,05)



Recommended PCB Layout  
(PCB TOLERANCE ±0.05)



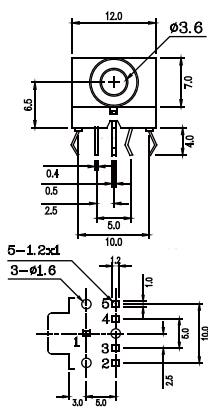
Table

NO.	PK	LU	W
COLOR NAME	PINK	LIGHT BLUE	WHITE
COLOR PART	701C	284C	577C

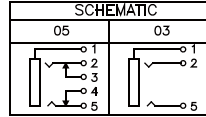
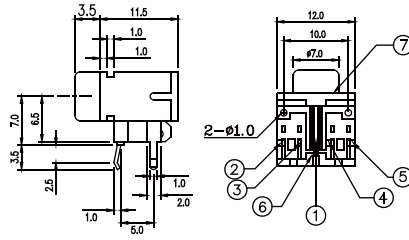


NO.	NAME	MATERIAL	FINISH
1	GROUND TERM.	C.R.S. 0.5THK	TIN PLATED
2	RING SPRING	PBS 0.3THK	TIN PLATED
3	TIP SPRING	PBS 0.3THK	TIN PLATED
4	RING BREAK	BRASS	TIN PLATED
5	TIP BREAK	BRASS	TIN PLATED
6	PLUG BUSHING	BRASS	NICKEL PLATED
7	HOUSING	P.B.T.	BLACK
8	BACK COVER	P.B.T.	BLACK
9	TUBE	P.B.T.	

Part No.:EPJ35-0005FP-□□T□-L  
No. of Contacts(03,05)  
See Table

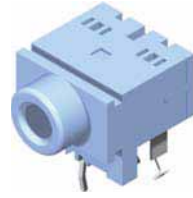


Recommended PCB Layout  
(PCB TOLERANCE ±0.05)



Table

NO.	HOUSING & COVER COLOR	PANTONS
PK	PINK	701C
W	WHITE	577C
Y	YELLOW	123C
OR	ORANGE	157C
LU	LIGHT BLUE	284C



NO.	NAME	MATERIAL	FINISH
1	GROUND TERM.	PHOS. BRONZE ±0.5	TIN PLATED
2	RING SPRING	PBS ±0.3	TIN PLATED
3	BREAK TERM.	BRA ±0.4	TIN PLATED
4	BREAK TERM.	BRA ±0.4	TIN PLATED
5	TIP SPRING	PB ±0.3	TIN PLATED
6	BACK COVER	P.B.T.	
7	HOUSING	P.B.T.	

Part No.: EPJ35-0008P-□□ T□-L  
No. of Contacts(03,05) □□  
See Table